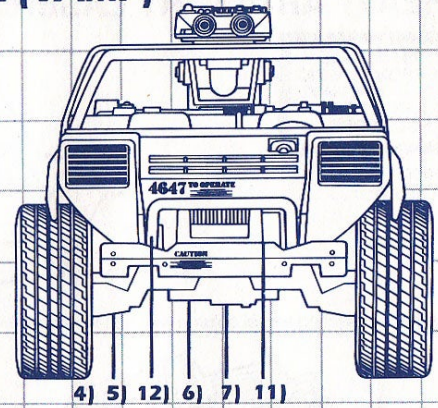
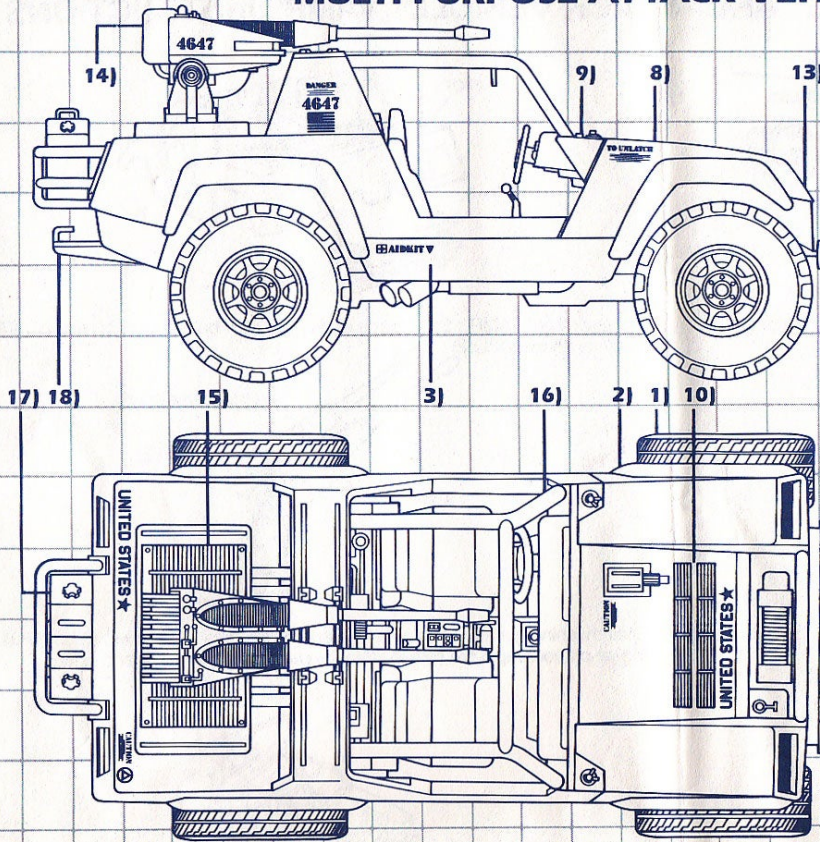


MULTI-PURPOSE ATTACK VEHICLE (VAMP)



- 1) OFF-ROAD TIRES ON ALLOY WHEELS
- 2) URETHANE FENDER FLARES
- 3) CONCEALED AIDKIT AND TOOLBOX
- 4) 4-WHEEL DISC BRAKES
- 5) 4-WHEEL INDEPENDENT SUSPENSION
- 6) 4-WHEEL DRIVE
- 7) 4.8 LITER V-12 FUEL-INJECTED TWIN-TURBO ENGINE
RANGE: 550 MILES
TOP SPEED: 140 MPH
- 8) FIBERGLASS HOOD CANOPY
- 9) HOOD HOLD-DOWN PINS
- 10) HEAT EXTRACTORS
- 11) HEAVY-DUTY WINCH
- 12) TOW BAR
- 13) HALOGEN HEADLAMP WITH ELECTRIC DEFROSTERS
- 14) MACHINE GUN - 7.62 MM/COMPUTER SYNCHRONIZED
- 15) CANNON VENTILATOR INTAKES
- 16) ROLL CAGE
- 17) BULLET PROOF GAS CANS
- 18) TOW HOOK

HEAVY ARTILLERY LASER (HAL)

- 19) HYDRAULIC STABILIZER-SELF LEVELING SENSORS
- 20) HYDRAULIC TRAILER LEGS
- 21) TOW HOOKS
- 22) TOW HOOK TENSION ADJUSTMENT
- 23) MAIN RADIATOR
- 24) MAIN RADIATOR SHROUD
- 25) PRIMARY MOTOR/SUPPORT SYSTEMS

- 26) GENERATOR AIR INTAKES
- 27) GENERATOR EXHAUST FORT
- 28) SYSTEMS OVERRIDE TANK
- 29) SYNCHRONIZER UNITS
- 30) SENSOR WEB
- 31) CIRCULATORS
- 32) HEAT REDUCERS
- 33) BARREL BRACES
- 34) REPLACEABLE LASERS (30 HOUR CYCLES)
- 35) FIRING GRIP
- 36) CRT SIGHTING AND LOCATING COMPUTER
- 37) TOOLBOX
- 38) AIDKIT

