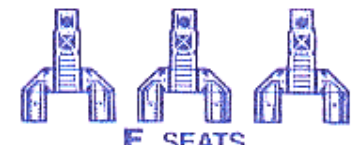


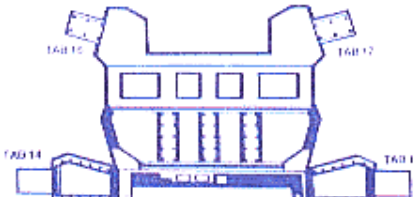
**A FULLY DETAILED COBRA MISSILE BASE**



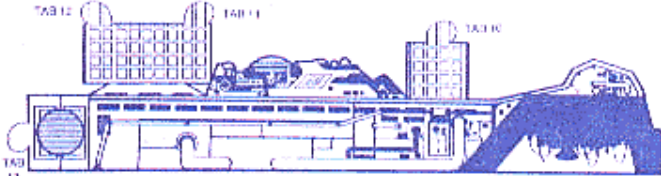
**C MOVABLE CRUISE MISSILE**



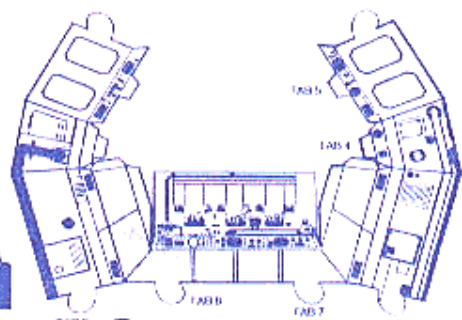
**E SEATS**



**F MOVABLE ELEVATOR**



**B MAIN MISSILE SUPPORT SYSTEMS**



**D CONTROL PANEL**



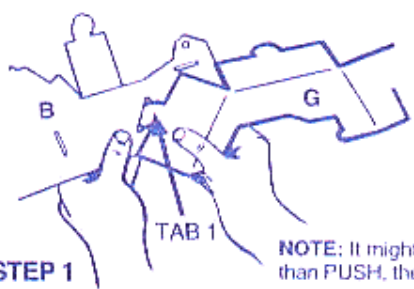
**G WORK PLATFORM**

This missile command station is a detailed copy of COBRA Command's "super secret headquarters. Inside its thick, steel walls is the world's most sophisticated, state-of-the-art missile system, engineered to operate under the most extreme conditions!

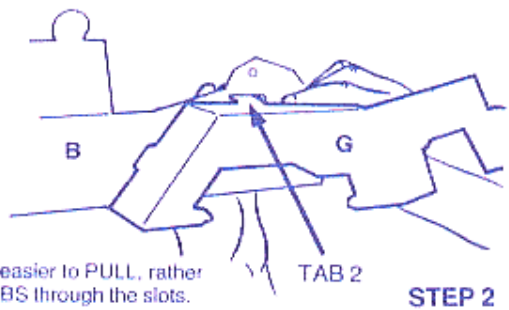
The cruise missile can be targeted in different directions, and can be approached for repair and maintenance from either the movable elevator or the work platform. Your COBRA Command soldiers can sit in the seats to operate the controls, and at the same time keep an eye on the guarded tunnel above!

## INSTRUCTIONS

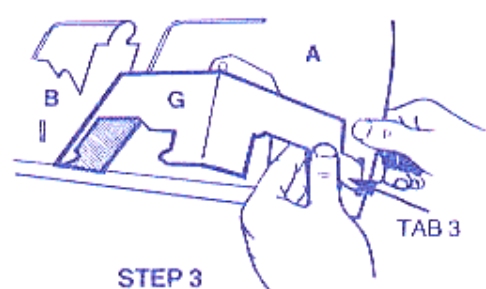
- Carefully remove pieces of the headquarters and punch out all the slots. Fold each piece along the creases to aid assembly.
- Fit tabs 1 and 2 of G (Work Platform) into the two slots on the right side of B (Missile Support Systems). Then fit tab 3 into the slot on the right side of A (Missile Base).



**STEP 1**

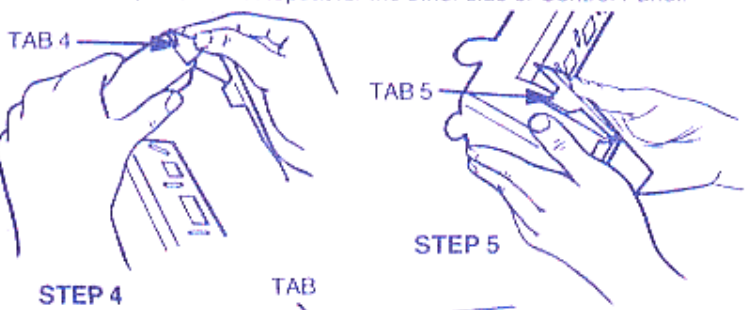


**STEP 2**

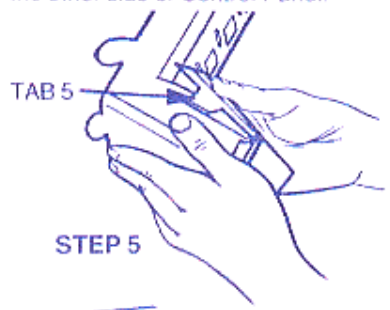


**STEP 3**

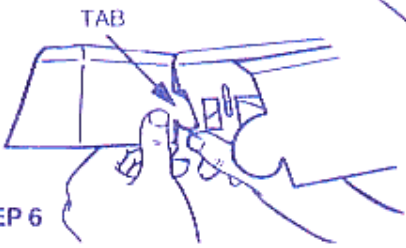
- Insert tab 4 of D (Control Panel) into the slot on the left of the Control Panel and insert tab 5 into the other slot on the left of the Control Panel, as shown. Then fit the remaining tab into the slot it faces, as shown. Repeat for the other side of Control Panel.



**STEP 4**

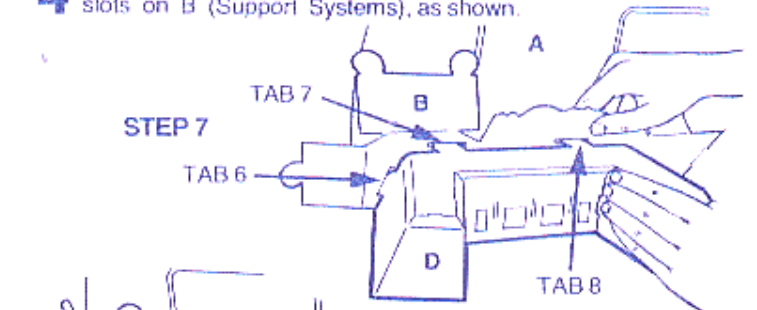


**STEP 5**

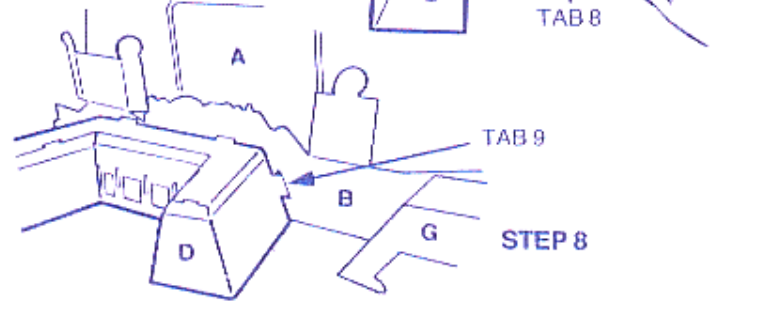


**STEP 6**

- Insert tabs 6, 7, 8, and 9 of D (Control Panel) into the four slots on B (Support Systems), as shown.

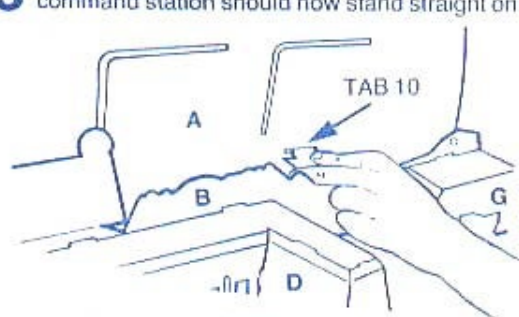


**STEP 7**

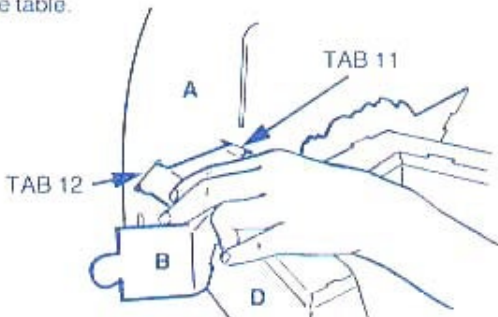


**STEP 8**

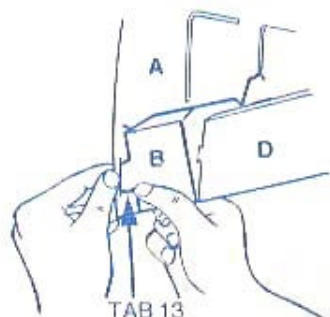
**5** Hold A (COBRA Missile Base) straight up. Fit tabs 10, 11, 12, and 13 of B (Main Missile Support Systems) into the four slots of A. Your missile command station should now stand straight on the table.



STEP 9

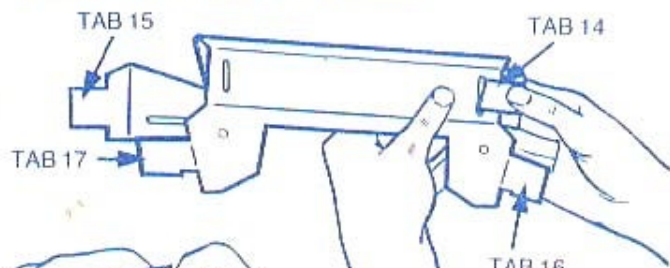


STEP 10



STEP 11

**6** Hold F (Movable Elevator) so its control panel is on top facing you and fold along creases, as shown. Insert tabs 14 and 15 into the slots on the bottom of the elevator. Then insert tabs 16 and 17 into the slots on the side of the elevator.

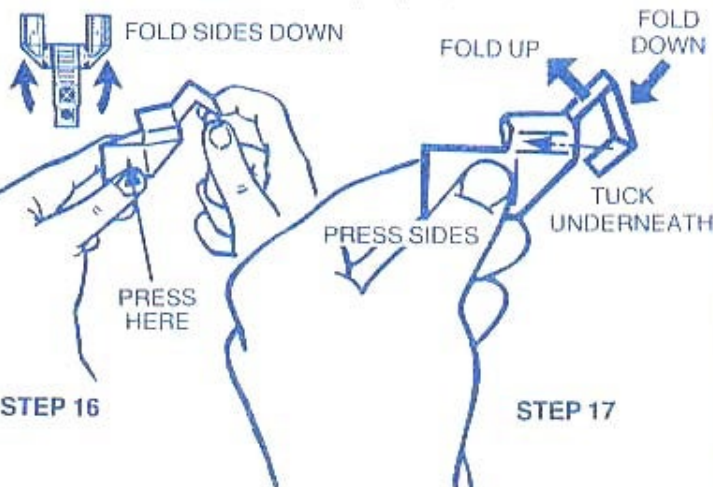


STEP 12



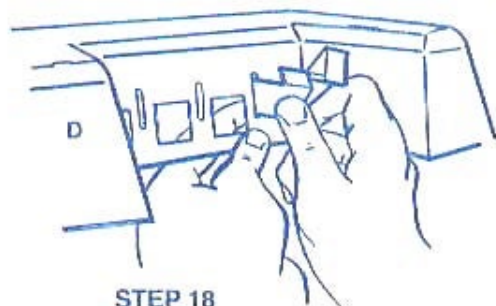
STEP 13

**8** Place each seat in front of you so it forms a "Y" shape. Fold each side of the seat down, then press sides together as shown. Now fold remainder of seat as shown. Fit the three seats into the three slots on the Control Panel (Step 18).



STEP 16

STEP 17

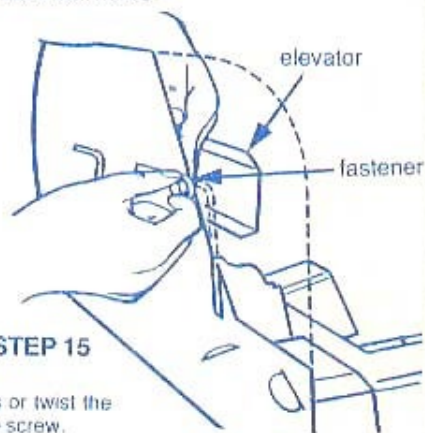


STEP 18

**7** Fit a screw through one of the holes in the elevator, and insert it through one of the elevator slots, as shown. Hold the head of the screw while you press the fastener onto the back of the screw. Repeat for the other side of elevator. Twist the fastener to adjust tension, if needed. The less you tighten the fastener to the screw, the easier your elevator will move.



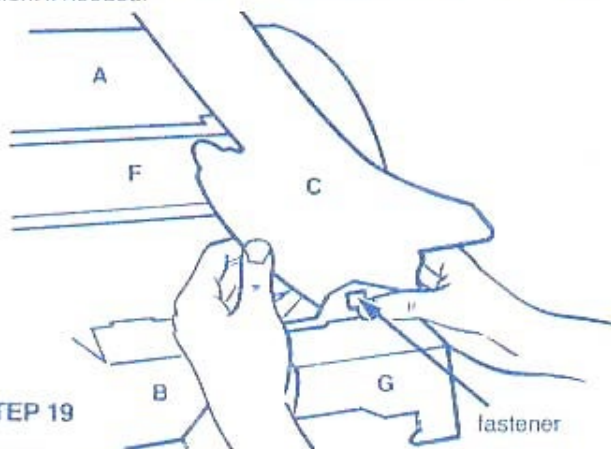
STEP 14



STEP 15

**NOTE:** You can either press or twist the fastener onto the back of the screw.

**9** Finally, place the hole in C (Movable Cruise Missile) behind the hole in B (Missile Support Systems). Insert the screw through both holes. Press the fastener onto the screw. Twist to adjust tension, if needed.



STEP 19

