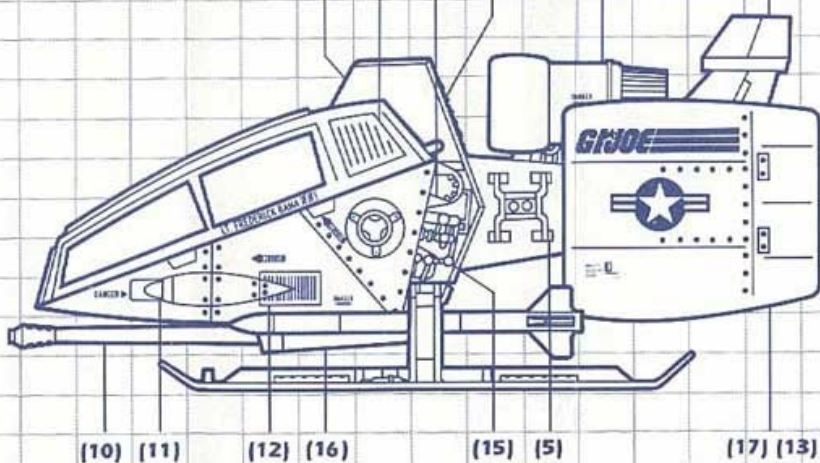
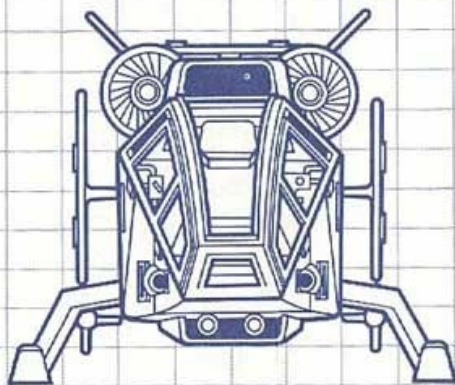
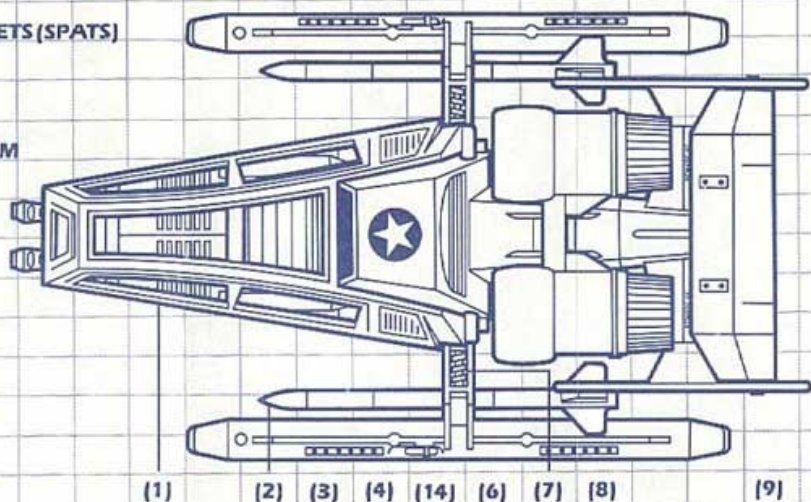


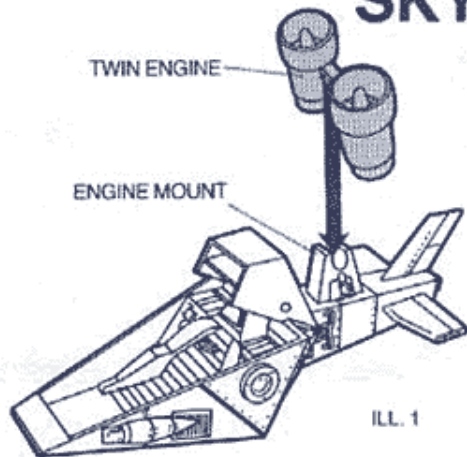
SKY HAWK

- 1) TITANIUM ALLOY FUSELAGE SKIN
- 2) SIGNAL-PROCESSING AIR-TO-SURFACE ROCKETS (SPATS)
- 3) AIR CONTROL STABILIZATION INTAKE
- 4) SECONDARY COCKPIT VENTILATORS
- 5) ENGINE ROTATION CONTROL CENTER
- 6) VARIABLE-PITCH AIR INTAKE WASTE GATES
- 7) LANDING SKID SHOCK ABSORBER MECHANISM
- 8) TWIN SK34-SERIES 1 HIGH BYPASS TURBOFAN ENGINES
- 9) HORIZONTAL STABILIZING TAIL FIN
- 10) TWIN 20MM "THUNDERCLAP" CANNONS
- 11) FUSELAGE MOUNTED VULCAN 20MM CANNONS
- 12) CANNON VENTILATOR PANELS
- 13) BORON-EPOXY COMPOSITE TAILSKINS
- 14) CANOPY ELEVATOR MECHANISM
- 15) EXTERNAL NAVIGATIONAL LINKAGES
- 16) CANNON ROTATOR HOUSING
- 17) VERTICAL STABILIZER-SIDE PLANES



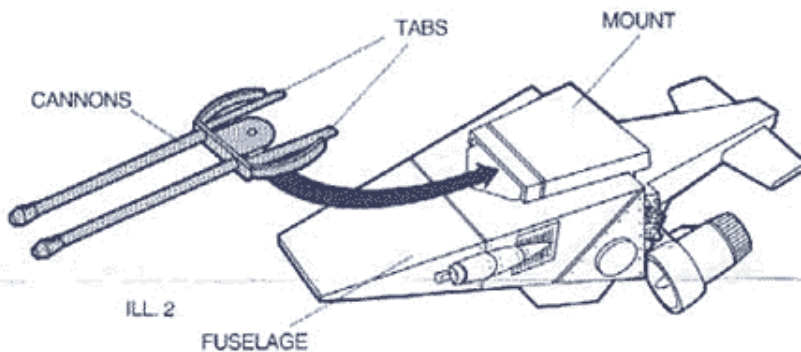
SKY HAWK INSTRUCTIONS

Remove all pieces from runners. If you have difficulty, use safety scissors.



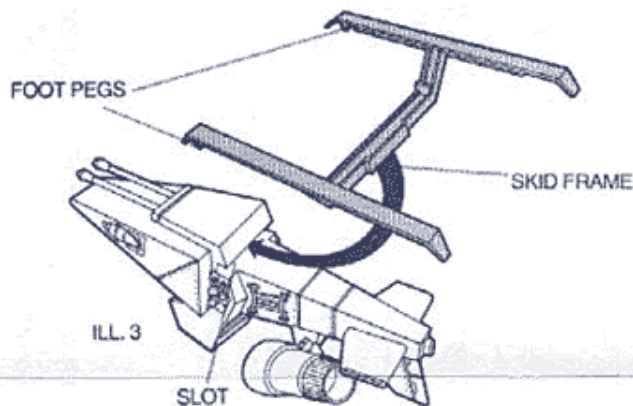
ILL. 1

1 Snap twin engine securely into engine mount as shown. (ILL. 1)



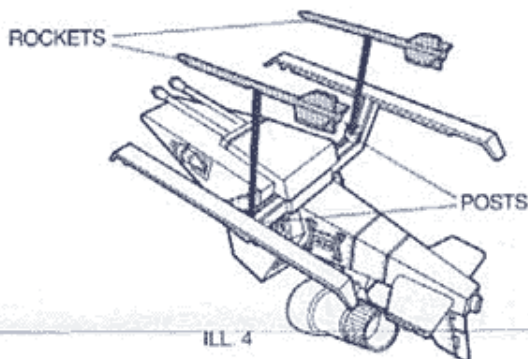
ILL. 2

2 Insert tabs on twin 20mm cannons into mount under fuselage until they snap into place. Be sure pin on cannon base is facing fuselage. (ILL. 2)



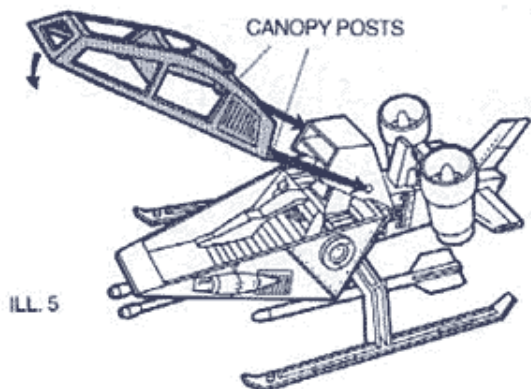
ILL. 3

3 Snap skid frame into slots in fuselage with foot pegs facing toward cannons. (ILL. 3)



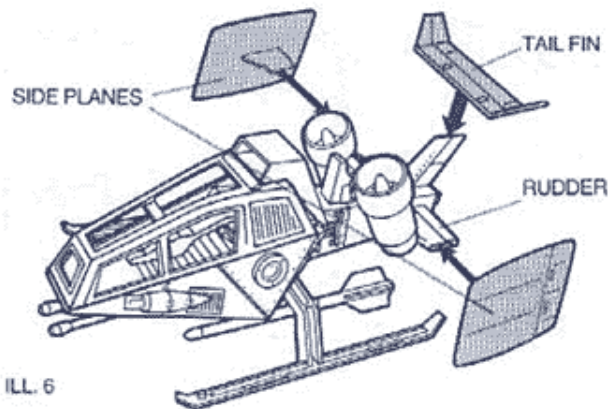
ILL. 4

4 Press rockets onto posts on skid frame. (ILL. 4)



ILL. 5

5 Snap canopy posts into holes in fuselage as shown. (ILL. 5)



ILL. 6

6 Press side planes into slots on sides of tail section and fit tail fin over rudder as shown. Pose any two figures on skid foot pegs. (Figures not included). (ILL. 6)

7 Peel labels off and apply as shown.

