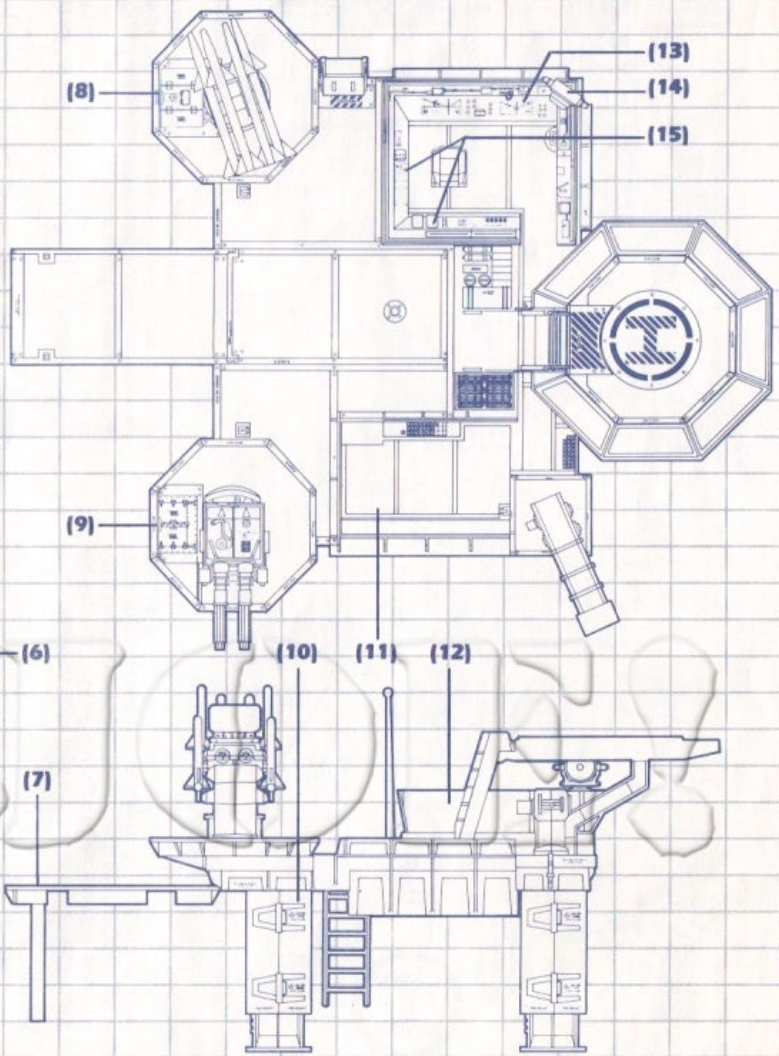
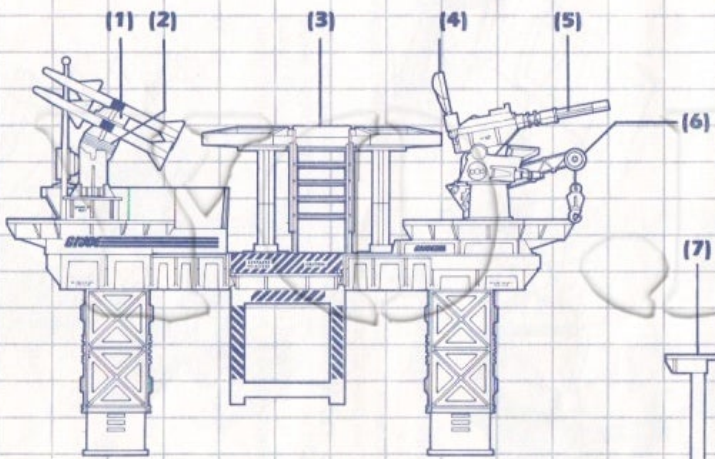


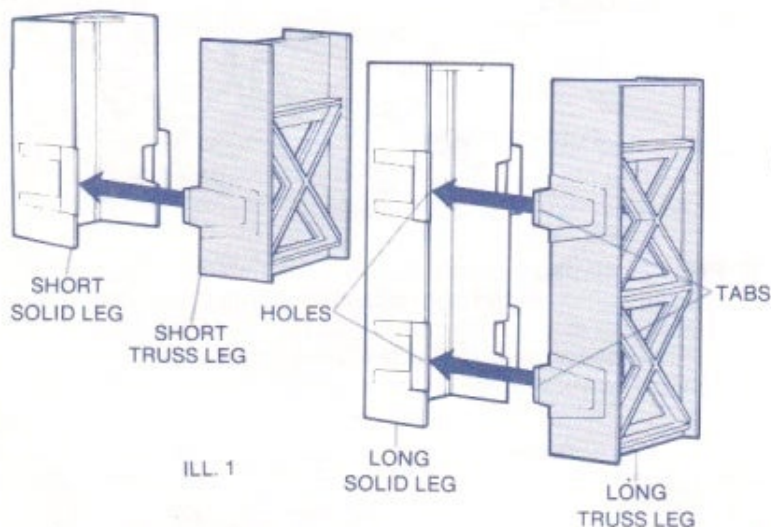
# TACTICAL BATTLE PLATFORM (TBF)

- 1) "CHAPARALL" MIM-72A SURFACE TO AIR MISSILE
- 2) COMPUTER CONTROLLED MISSILE MOUNTING
- 3) ALUMINUM ALLOY "OCTAGON" HELI-PAD
- 4) SIGNAL SCRAMBLE TRACKING(SST) RADAR
- 5) RECOILLESS 75MM DUAL "DEFENDER" CANNONS
- 6) HYDRAULIC-ASSISTED SYNCHRO MOTOR CRANE
- 7) MULTI-PURPOSE LOAD/UNLOAD RAMP
- 8) ULTRA-SENSITIVE "REFLEX" CONTROL COMPUTER
- 9) MULTI-MODE MOUNTING COMPUTER
- 10) HYDRAULIC PLATFORM LEVELING SUPPORTS
- 11) MUNITIONS ROOM
- 12) REINFORCED COMPOSITE GRID WINDSCREEN
- 13) INFRARED TRACKING MONITOR
- 14) QUARTZ LOCKED "HALOGEN LASER" SEARCHLIGHT
- 15) FIRE CONTROL MONITORS



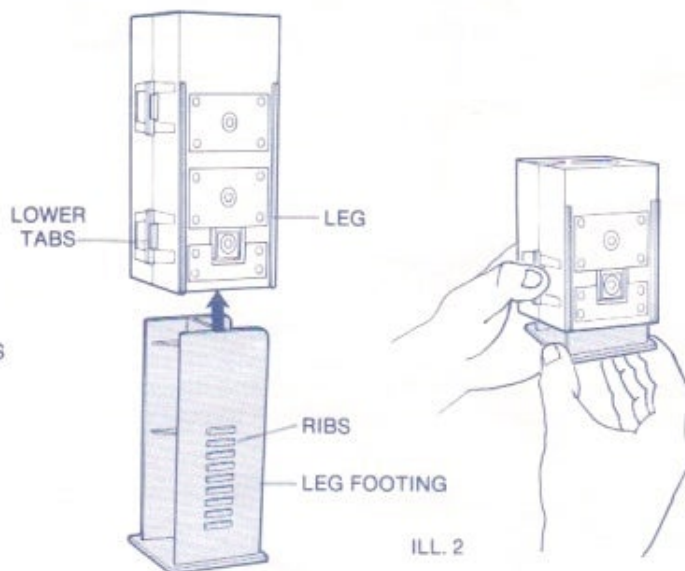
Remove all pieces from plastic frames. If you have difficulty, use safety scissors.

## Transportable Tactical Battle Platform Instructions



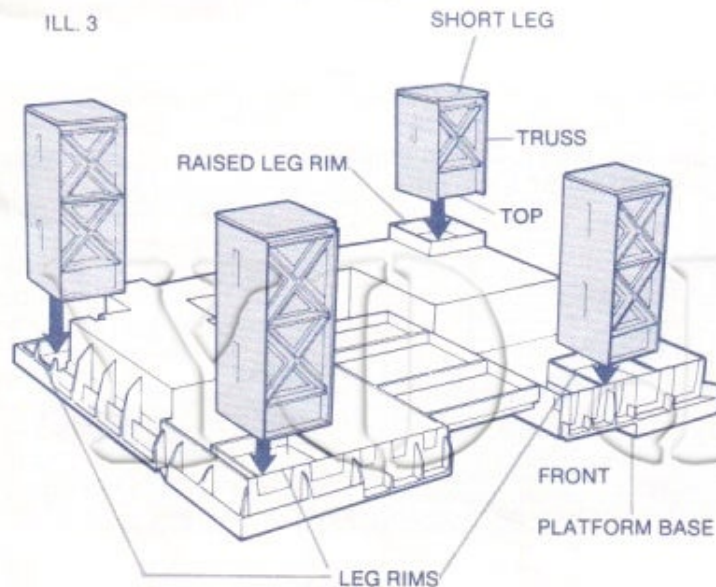
ILL. 1

- 1 Insert tabs on one side of long *truss* leg into holes on one side of long *solid* leg. Snap leg sections together. Match remaining leg sections and repeat instructions. (ILL. 1)



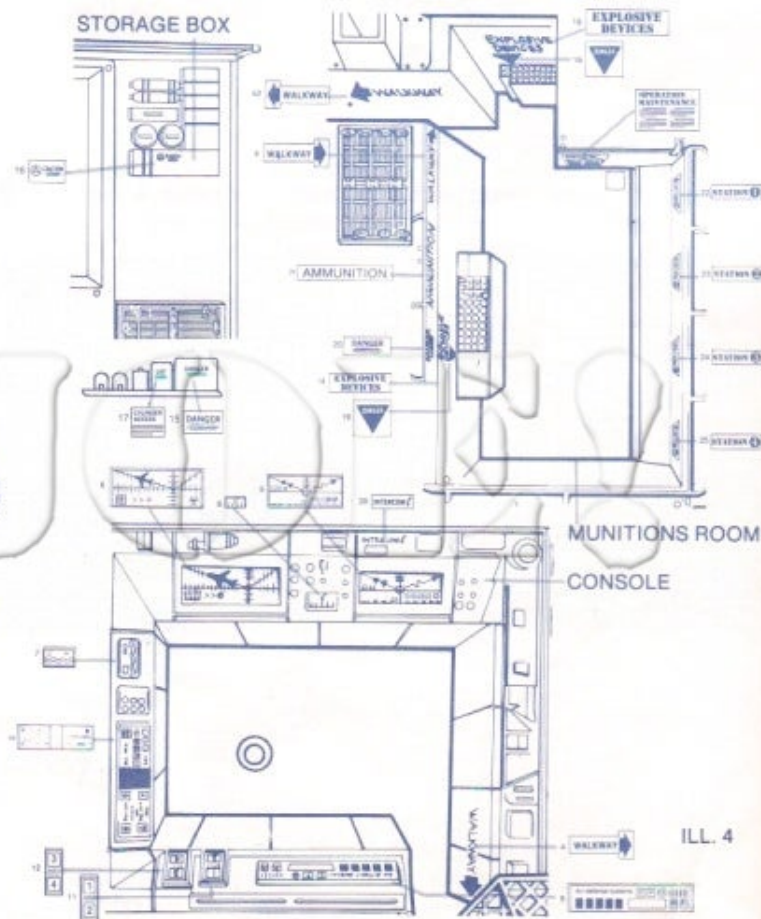
ILL. 2

- 2 Insert ribbed side of leg footing into leg as shown. Squeeze LOWER tabs on either side of leg and slide footing *completely* into leg. Footing will lock when pressure is released. Repeat instructions with remaining footings and legs. (ILL. 2)



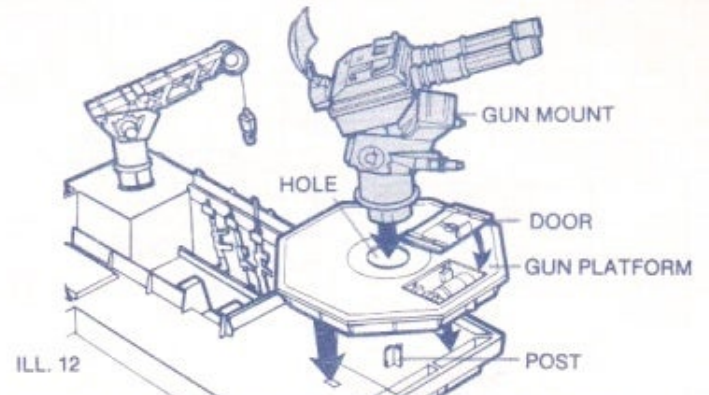
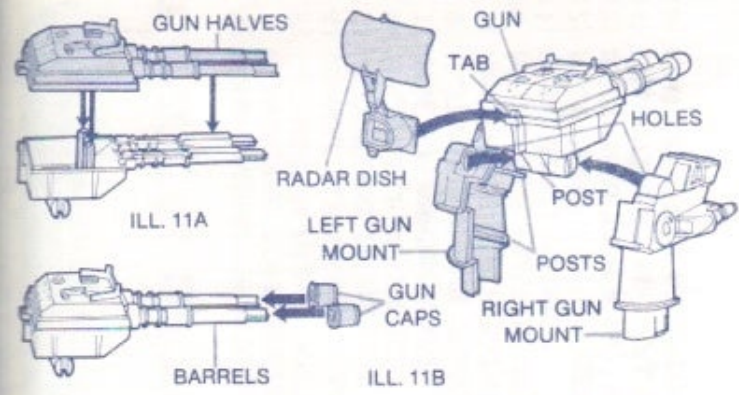
ILL. 3

- 3 Turn platform base upside down. With truss side facing towards front of platform base, firmly press top of short leg into leg rim marked "short leg". Press tops of three long legs into remaining leg rims. Note: Trusses should all face toward front of platform. (When battling on rough terrain, adjust legs by squeezing LOWER tabs and sliding footings to proper height). (ILL. 3)



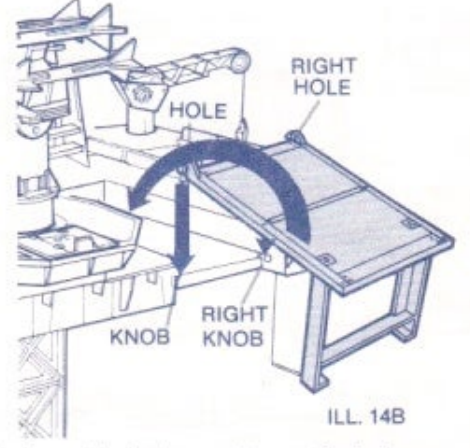
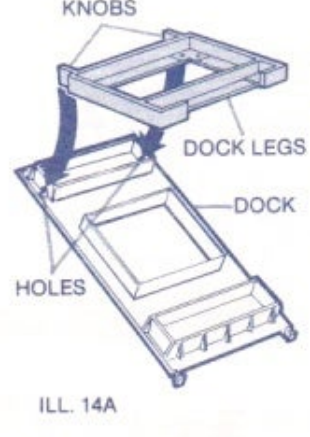
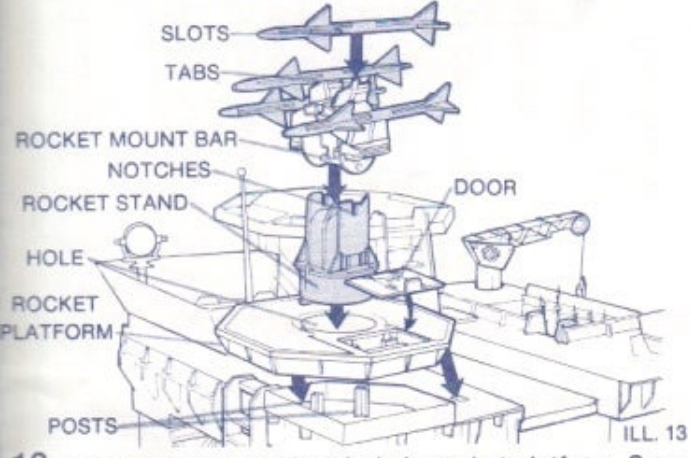
ILL. 4

- 4 Peel and apply labels to console, munitions room, and storage box as shown. (ILL. 4)



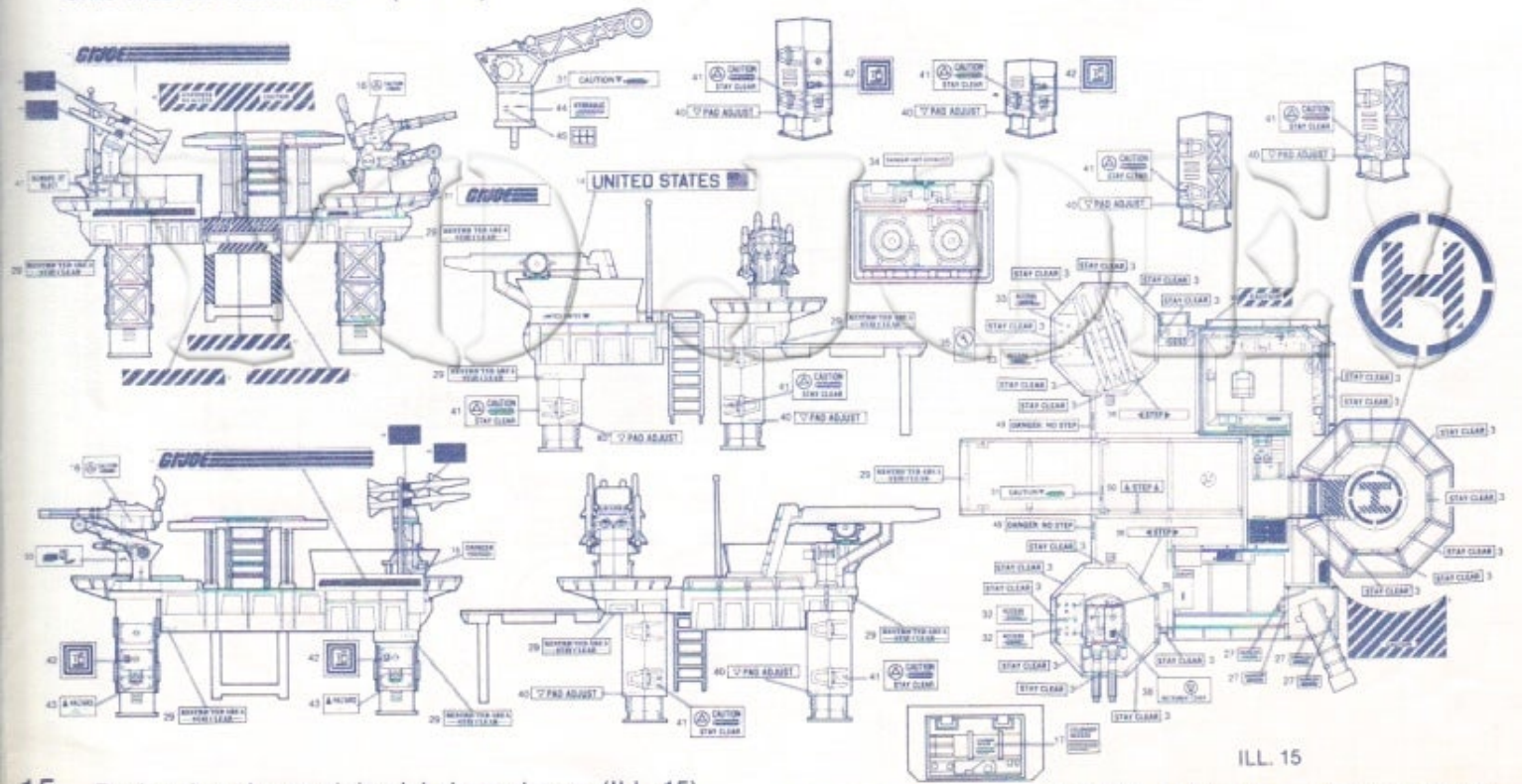
11 Snap lower and upper gun halves together. Press gun caps over gun barrels. (ILL. 11A) Place hole in left gun mount half over left post on gun. Fit holes in right gun half over posts on left gun assembly. Snap radar dish hole over tab on back of gun. (ILL. 11B)

12 Insert gun mount bottom into hole in gun platform. Insert gun platform door into gun platform. Fit 2 holes underneath gun platform over posts on right side of platform base and press into place. (ILL. 12)

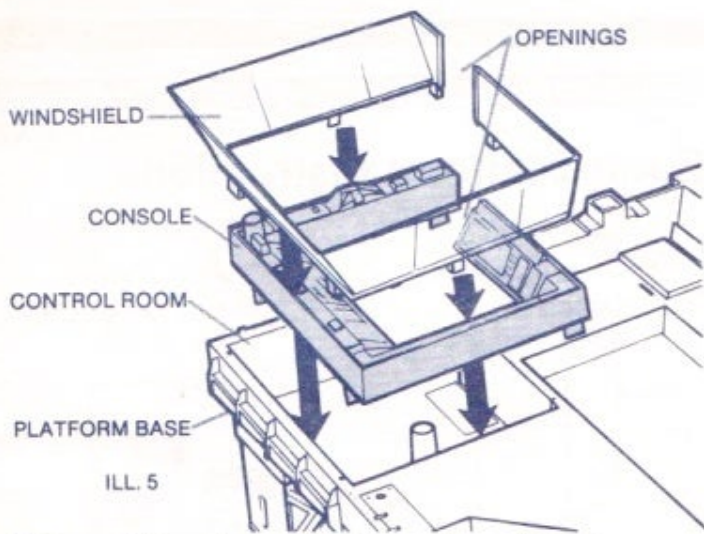


13 Insert rocket stand into hole in rocket platform. Snap rocket mount bar into notches on rocket stand as shown. Insert rocket platform door into rocket platform. Fit 2 holes underneath rocket platform over posts on left side of platform base. Fit slots on rockets onto tabs on rocket mount. (ILL. 13)

14 Snap knobs on dock legs into holes underneath dock as shown. (ILL. 14A) Place right hole on end of dock over right knob on platform base. Snap left hole over left knob. Dock folds up and lays upside down on platform base. (ILL. 14B)

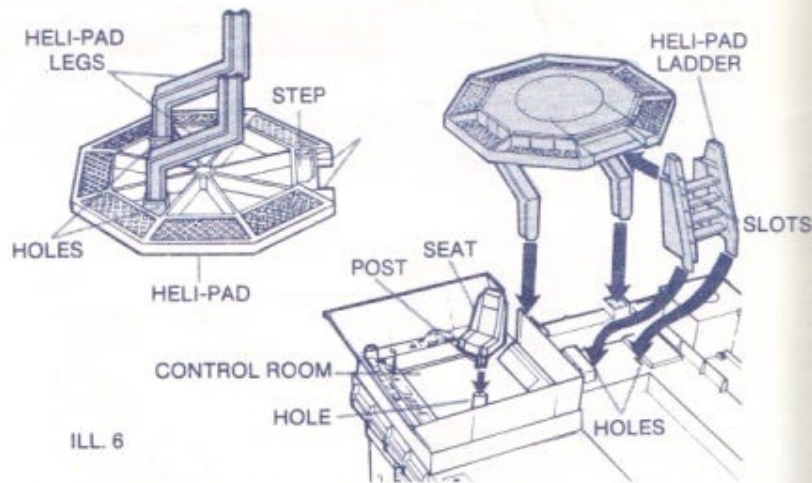


15 Peel and apply remaining labels as shown. (ILL. 15)



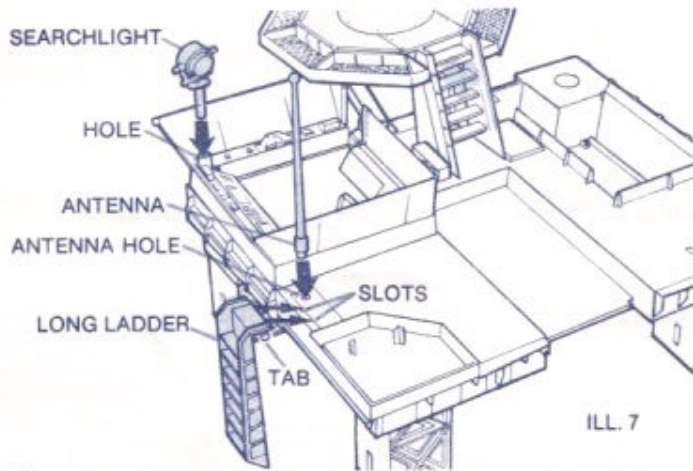
ILL. 5

- 5 Turn platform base right side up. Insert tabs on console into slots in platform base. Twist off plastic attachment at opening of windshield and discard. Insert tabs on windshield into slots on top of console. (ILL. 5)



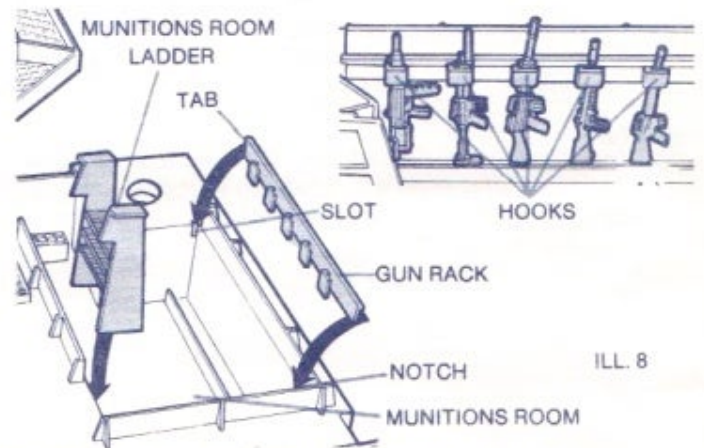
ILL. 6

- 6 Press 2 heli-pad legs into 2 holes underneath heli-pad as shown. Turn heli-pad right side up. Fit slots at top of heli-pad ladder over step on heli-pad. Press bottom of heli-pad ladder and heli-pad legs into holes in platform base as shown. Insert post on swivel seat into hole in control room floor. (ILL. 6)



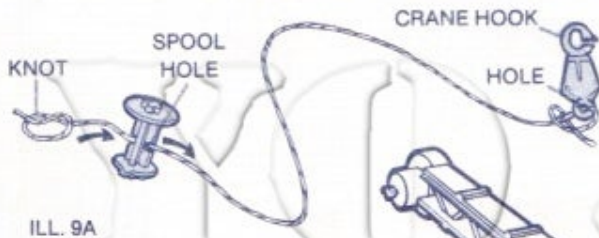
ILL. 7

- 7 Insert post on searchlight into hole in console. Insert tabs on long ladder into slots in front of control room. Insert antenna into hole next to ladder. (ILL. 7)

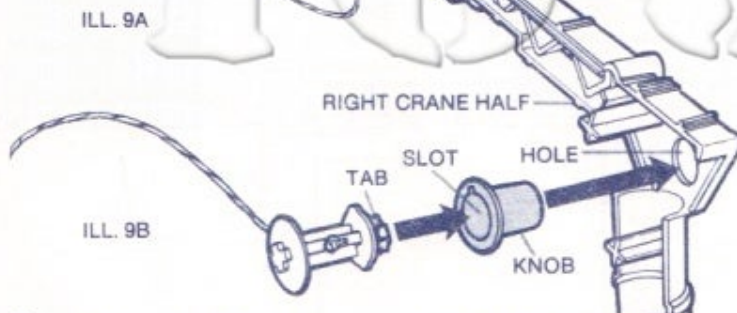


ILL. 8

- 8 Insert tab on gun rack into slot in munitions room. Slide other end of gun rack into notch. Place guns in gun rack hooks. Slide munitions room ladder into place as shown. (ILL. 8)

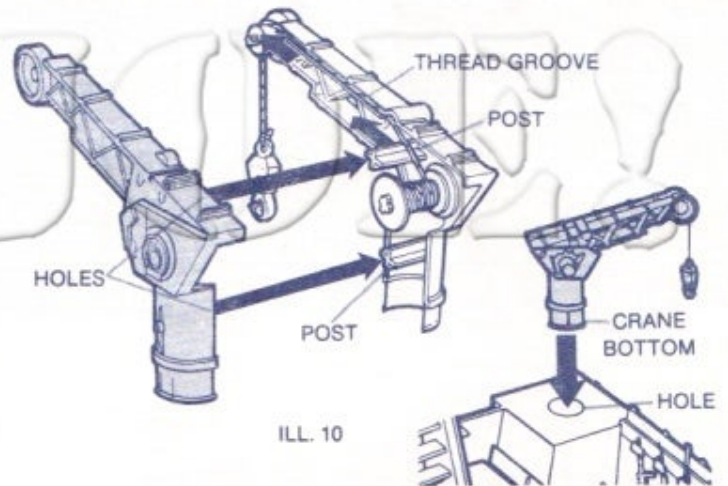


ILL. 9A



ILL. 9B

- 9 Tie knot at one end of string. Insert other end of string into hole in spool. Pull string through hole until knot rests on hole. Thread end of string through crane hook hole and tie knot. (ILL. 9A) Line up tab on spool with slot on knob and press spool and knob firmly together. Insert knob into hole on right crane half. (ILL. 9B)



ILL. 10

- 10 Thread string over post and through thread groove. Fit holes in left crane half over posts on right crane half. Turn knob to make sure thread moves freely through crane groove. Insert crane bottom into crane hole on platform base. (ILL. 10) Use crane to hoist equipment onto platform.