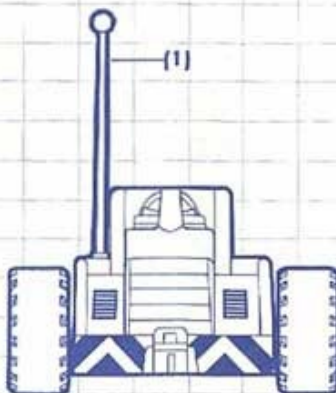
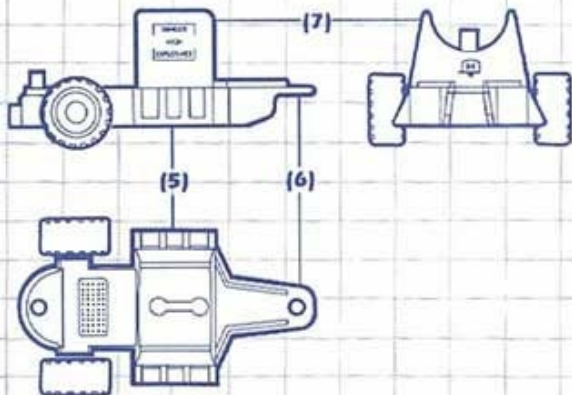
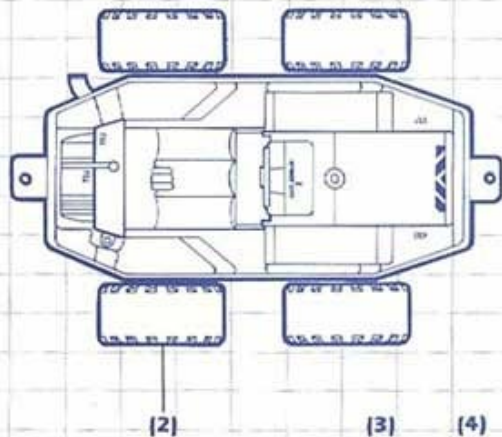
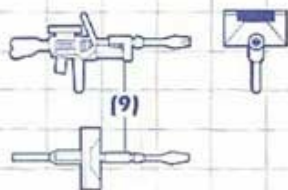
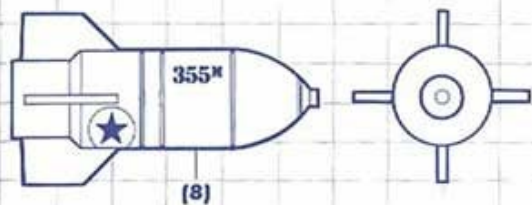


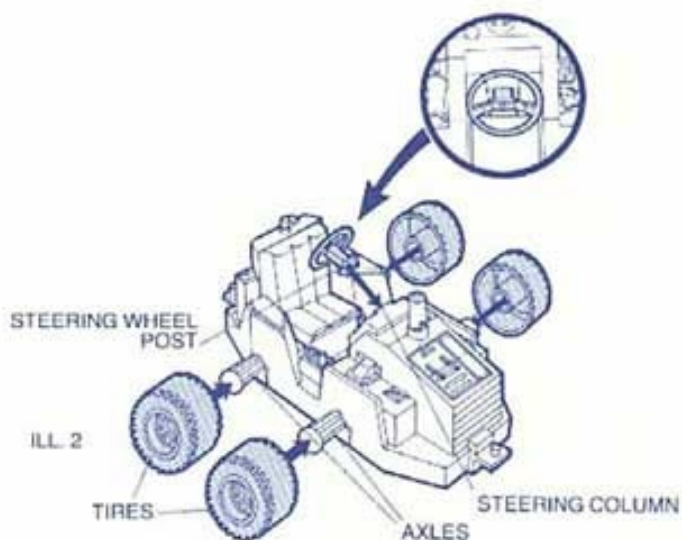
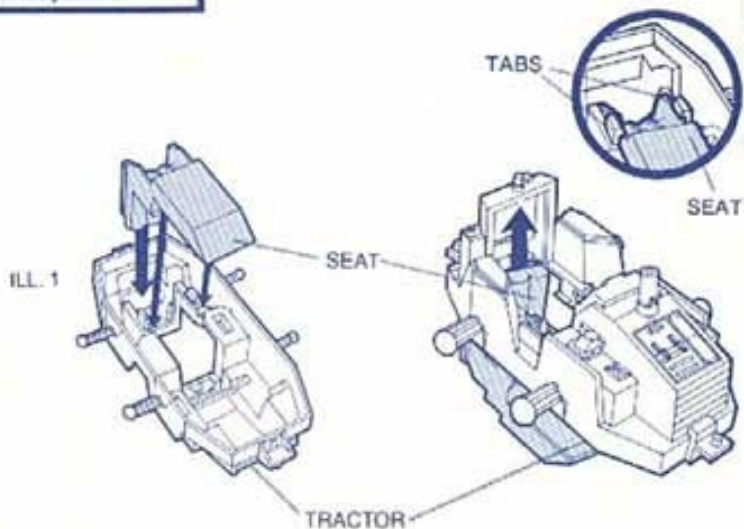
WEAPONS TRANSPORT VEHICLE

- 1) CARBON FIBER REINFORCED 2-WAY ANTENNA
- 2) ALL-TERRAIN BULLETPROOF FLOTATION TIRES
- 3) STEEL ARMORPLATE ENGINE HOUSING
- 4) THERMOSTATICALLY CONTROLLED FRONT AIR INTAKE LOUVERS
- 5) HEAVY-DUTY TOWABLE BOMB CARRIAGE
- 6) TRACTOR HITCH- 7) BOMB CRADLE
- 8) FORCE-1000 MK88 MAGNESIUM CASED BOMB
- 9) PD-9 9MM SHIELDED SUBMACHINE GUN



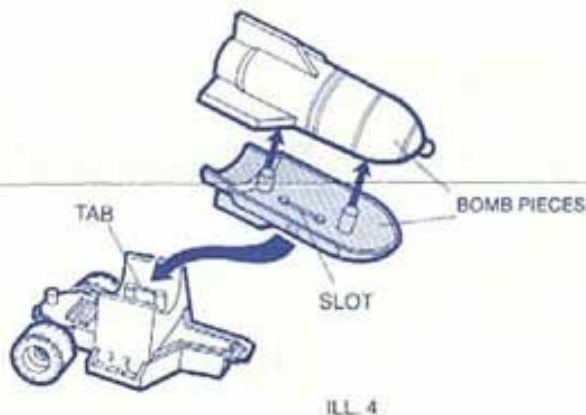
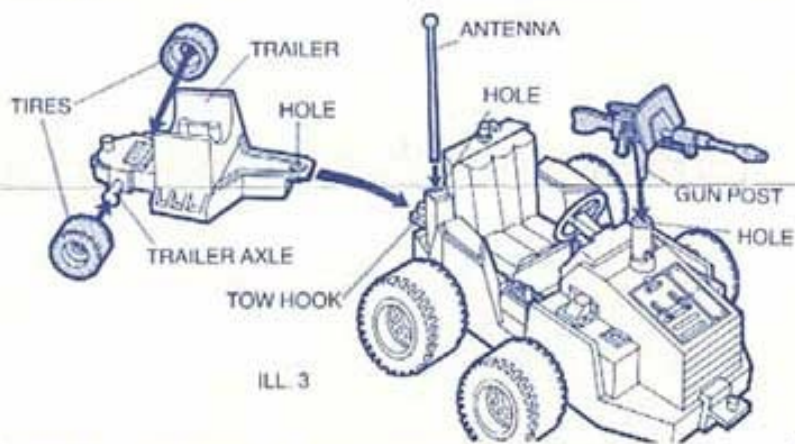
WEAPON TRANSPORT INSTRUCTIONS

Remove all pieces from plastic frames. If you have difficulty, use safety scissors.



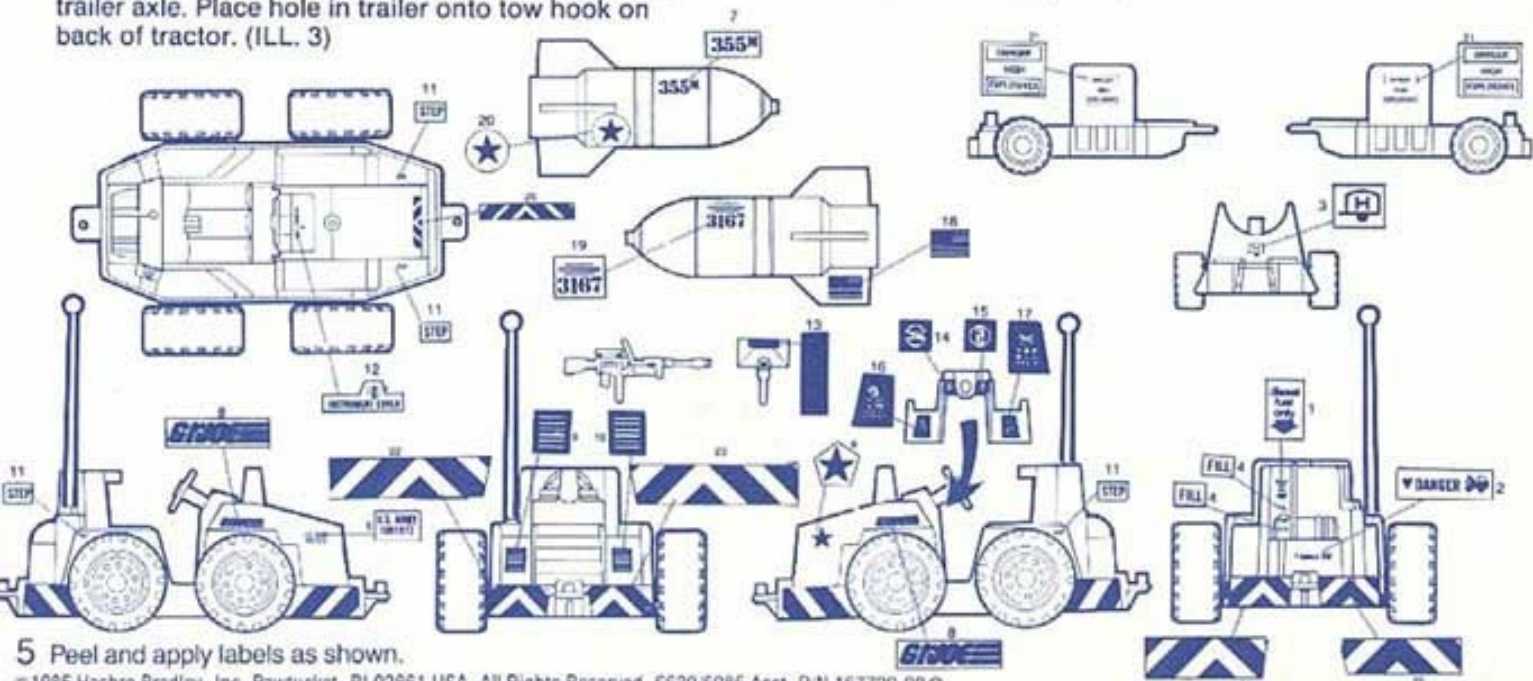
1 Slide seat through bottom of tractor and snap into place. Make sure tabs snap over ridges at bottom of seat. (ILL. 1)

2 Twist and snap 4 large tires over tire axes. Snap steering wheel post into hole in steering column. (ILL. 2)



3 Insert gun post into hole on hood. Insert antenna into hole on side of seat. Twist and snap 2 small tires onto trailer axle. Place hole in trailer onto tow hook on back of tractor. (ILL. 3)

4 Press bomb pieces together. Place slot in bomb onto tab on trailer. (ILL. 4)



5 Peel and apply labels as shown.