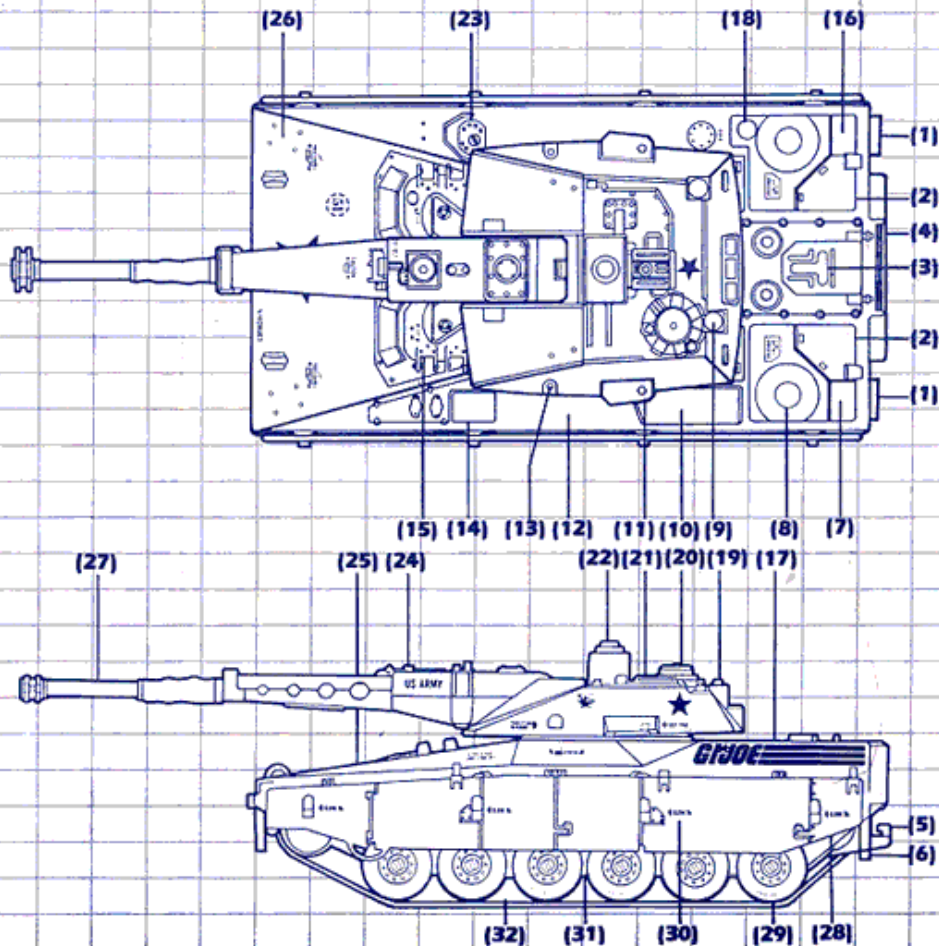


MAULER MBT

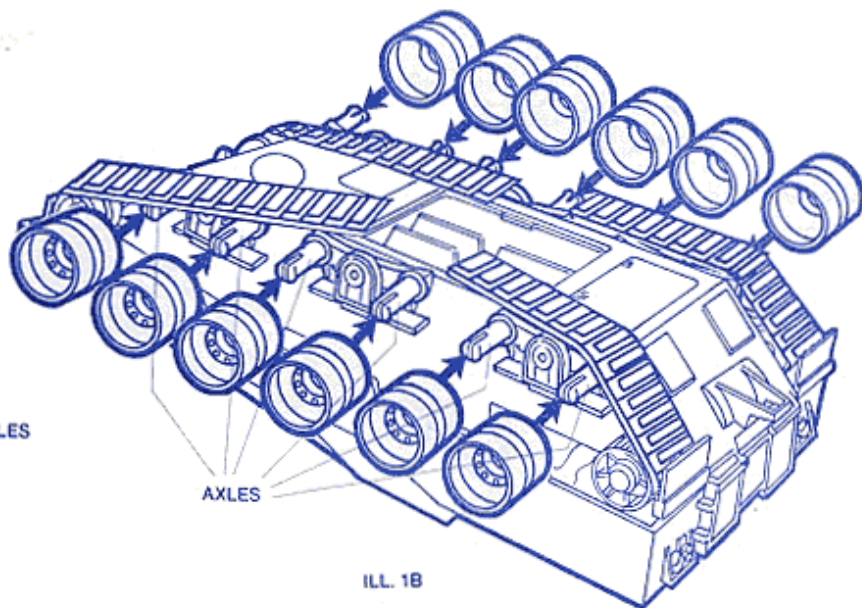
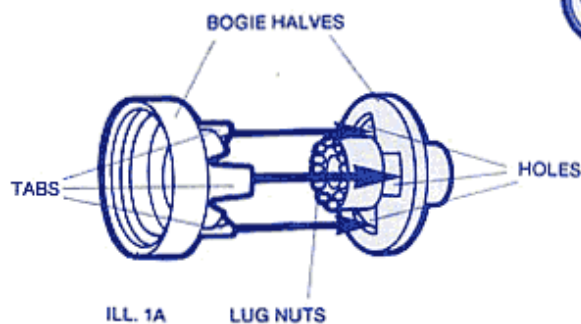
- 1) SMOKE DISPENSING SYSTEM ASSEMBLIES
- 2) ENGINE HATCH COVERS
- 3) DRIVE CONTROL SYSTEM
- 4) ENGINE MAIN RADIATORS
- 5) UNIVERSAL TOW HOOK
- 6) DEBRIS FLAPS
- 7) ENGINE COOLANT FILLER PORT
- 8) ENGINE SUPERCHARGERS
- 9) VEHICLE-TO-VEHICLE CODED TRANSMITTER
- 10) LIQUID-TO-AIR ENGINE INTAKE INTERCOOLER
- 11) LATERAL FIGHTING PEDESTALS
- 12) INSULATED SMALL ARMS/GROUND EQUIPMENT STORAGE BINS
- 13) TWIN SHORT-WAVE TRANSMITTERS
- 14) LIQUID-TO-AIR CLIMATE CONTROL HEAT EXCHANGER
- 15) SELF-LOCKING VIEWPORT-EQUIPPED ENTRY HATCHES
- 16) 24 VOLT BATTERY PACK
- 17) 12 CYLINDER TWIN-SUPERCHARGED DIESEL ENGINE:
 - A) 1800 HORSEPOWER
 - B) ROAD SPEED: 62 MPH
 - C) RANGE: 500 MILES
- 18) FUEL FILLER PORT
- 19) VEHICLE-TO-GROUND PERSONNEL 2-WAY COMM-LINK
- 20) 200° "CROW'S NEST" RIFLE PORTS
- 21) DX-2 SERIES II DIGITAL BALLISTICS COMPUTER
- 22) HOLOGRAPHIC IMAGE-DISPLAY TARGETING SYSTEM
- 23) FIRE CONTROL SYSTEM ACCESS PANEL
- 24) SELF-CONTAINED HIGH-CAPACITY CANNON COOLING SYSTEM
- 25) CREW WATER SUPPLY FILLER PORT
- 26) 57-TON NYLON MICROMESH/TITANIUM ALLOY 60-LAYER HULL
- 27) MXZ-125 MM "EARTHQUAKE" CANNON
- 28) MAIN DRIVE BOGEY
- 29) IDLER BOGEY
- 30) BORON-EPOXY COMPOSITE TRACK SKIRTS
- 31) COMPOSITE MONOSPRING INDEPENDENT SUSPENSION ASSEMBLY
- 32) HIGH-SPEED LOW-DISTORTION TREADS



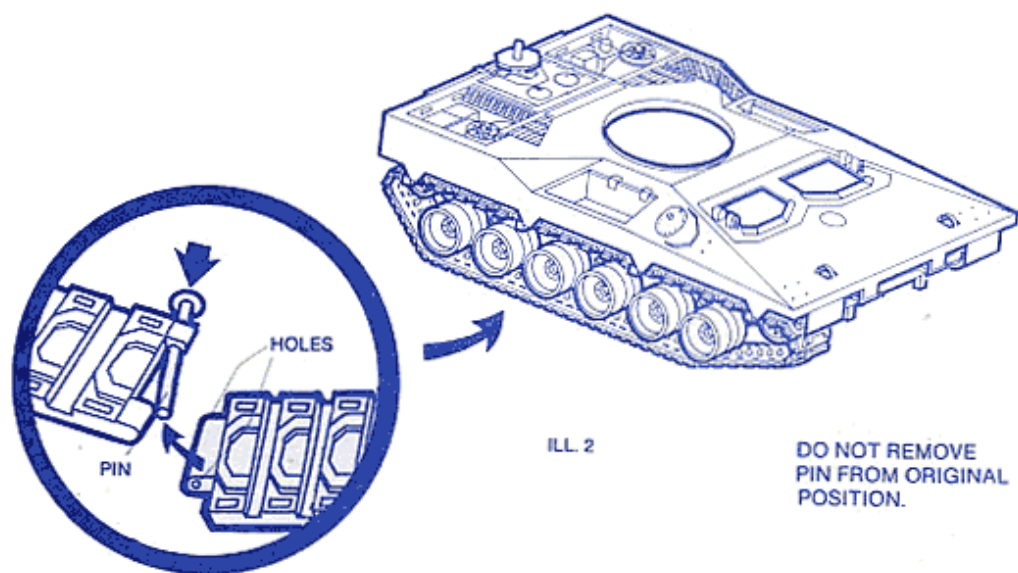
Remove all pieces from plastic frames. If you have difficulty, use safety scissors.

MAULER M.B.T. TANK INSTRUCTIONS

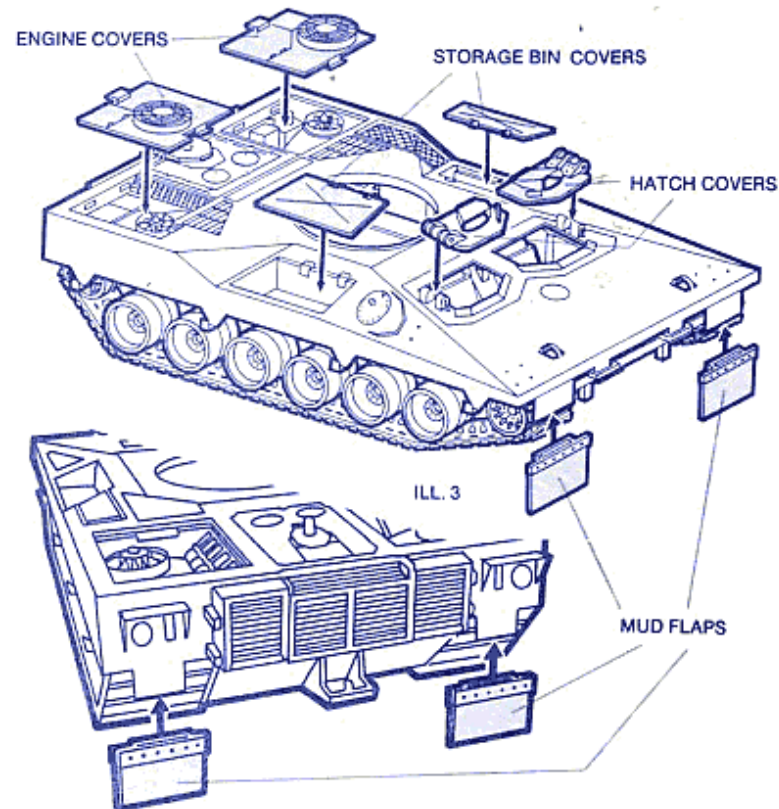
REQUIRES 4 "C" SIZE BATTERIES (NOT INCLUDED).



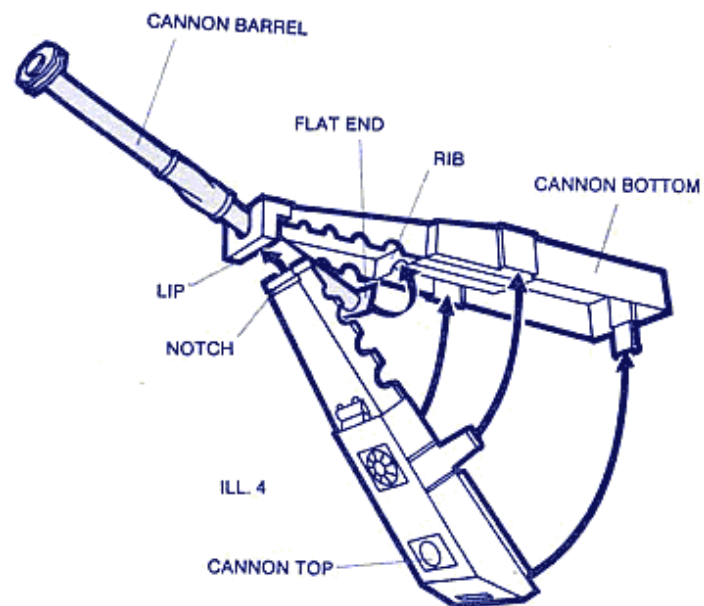
- 1 Press 3 tabs on bogie wheel half into 3 holes in other bogie wheel half. Make sure lug nuts face tabs. Snap together firmly. Repeat with remaining bogie wheels. (ILL. 1A) Snap 12 bogie wheels over axles on sides of tank. (ILL. 1B)



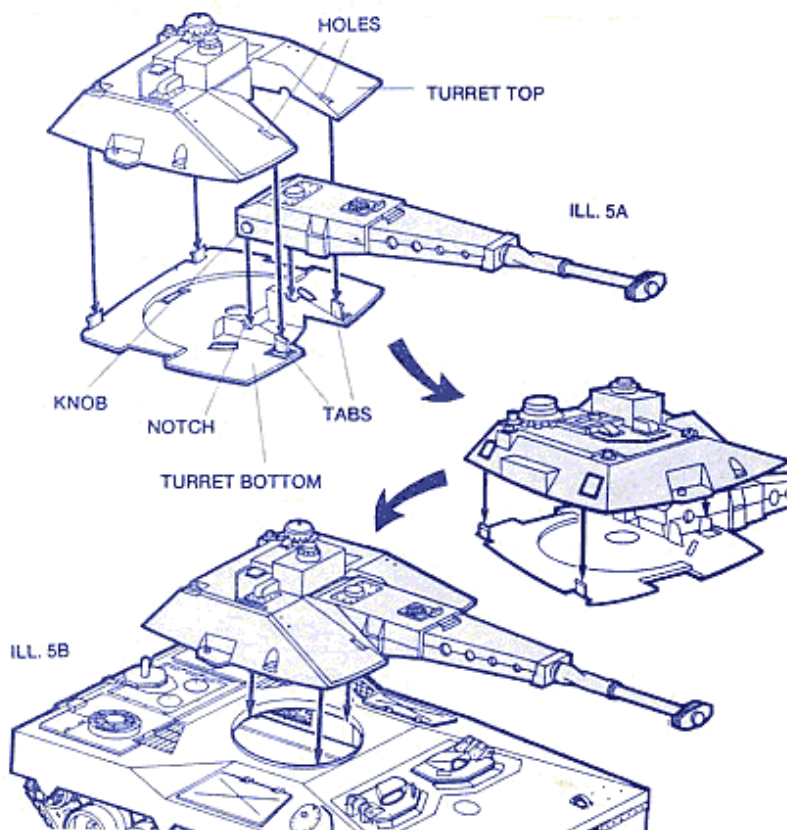
- 2 NOTE: Do not remove pins from tracks. Slide hole in other end of track over pin. Now, press end of pin into remaining hole in track. Repeat with other track. (ILL. 2)



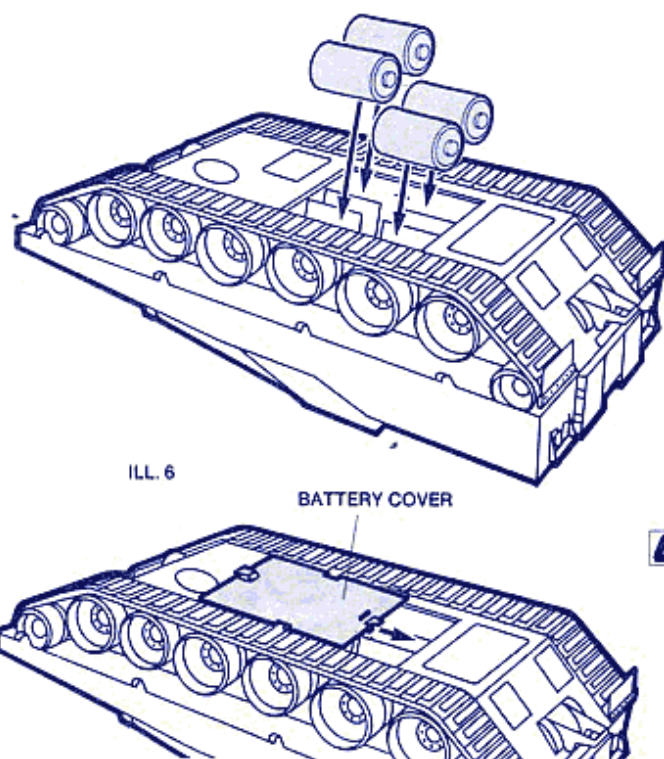
- 3 Snap knobs on forward hatch covers into knob holes on forward hatches. Insert tabs on storage bin covers into holes in storage bins. Insert tabs on engine covers into holes in engine compartments. Slide four mud flaps over tabs on each corner of tank. (ILL. 3)



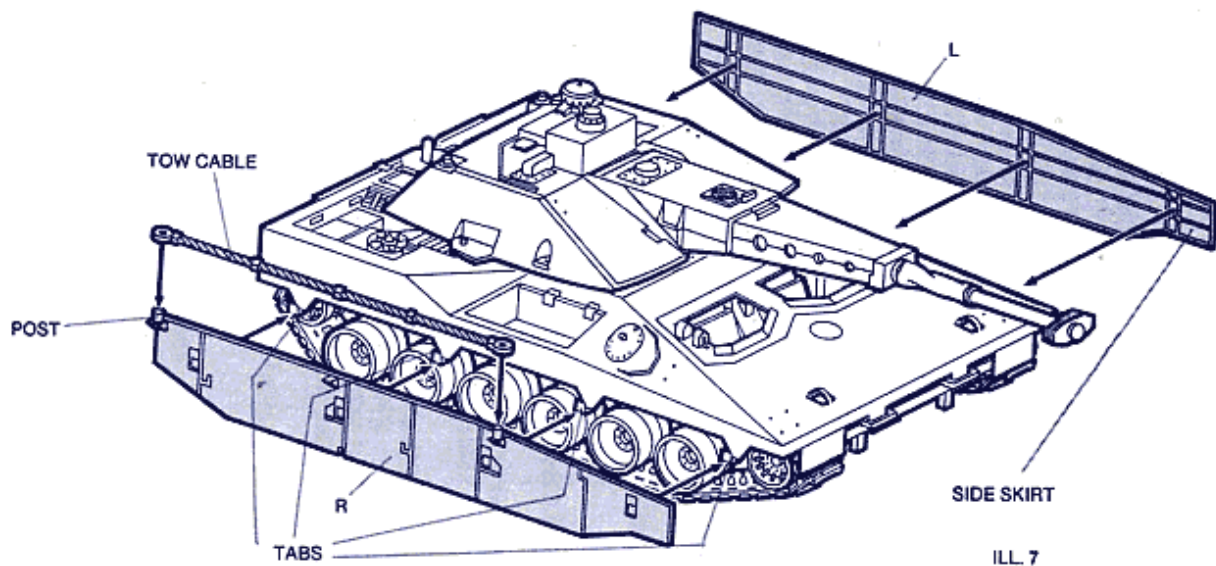
- 4 Hold cannon bottom upside down. With slot in cannon barrel facing up, insert flat end of cannon barrel into opening and hook over rib. Hook notch of cannon top under lip of cannon bottom. Snap cannon top and bottom together. (ILL. 4)



- 5 Rest 2 knobs on cannon onto 2 notches in turret bottom. Insert 2 tabs on turret bottom into 2 holes in turret top. Snap turret top and bottom together. (ILL. 5A) Snap bottom of turret into hole in tank. (Turret swivels and cannon elevates.) (ILL. 5B)

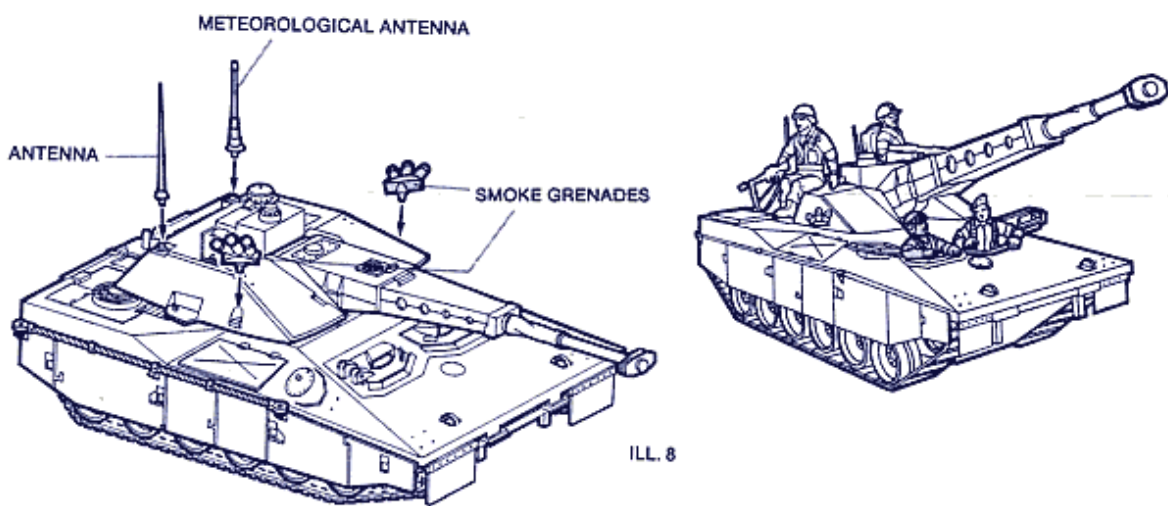


- 6 Make sure joystick is in "OFF" position. Turn tank over. Insert 4 "C" size batteries, as shown. Slide tabs on battery cover under tabs in battery compartment. (ILL. 6)



ILL. 7

7 Hook 4 holes in left side skirt (marked "L") over 4 tabs on left side of tank. Repeat with right side skirt (marked "R"). Place tow cable hoops over posts on right side skirt. (ILL. 7)



ILL. 8

8 Insert posts on smoke grenades into holes on sides of turret. Insert antenna and meteorological antenna into holes on turret. Seat HEAVY METAL and another G.I. Joe figure inside hatches. Pose two more figures on turret foot pegs. (Other figures sold separately.) (ILL. 8)

9 Peel and apply labels, as shown. (ILL. 9)

©1985 Hasbro, Inc. Pawtucket, RI 02861 USA. All Rights Reserved. 6015 P/N 173181.00 C

