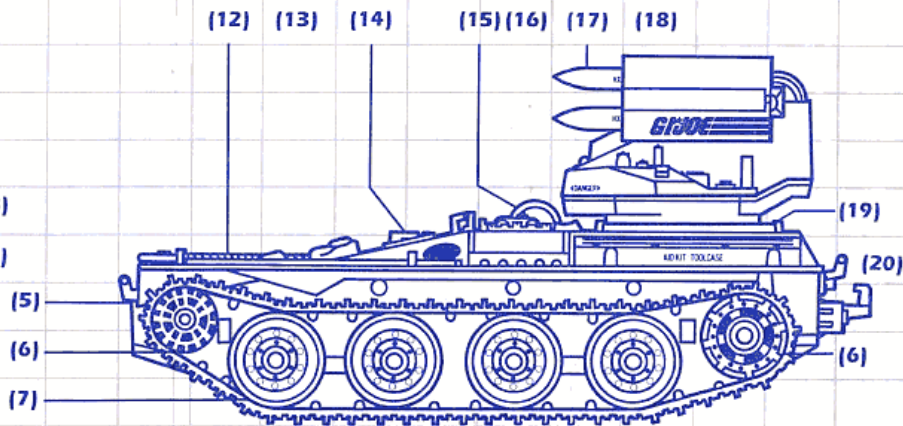
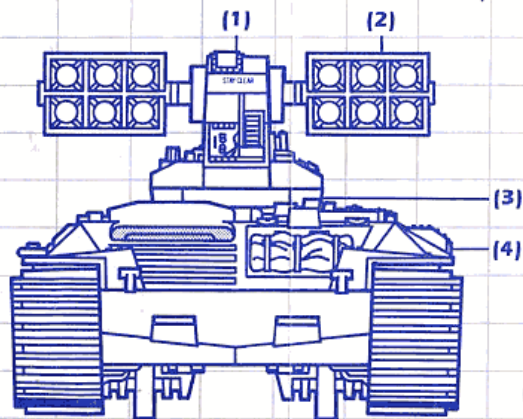
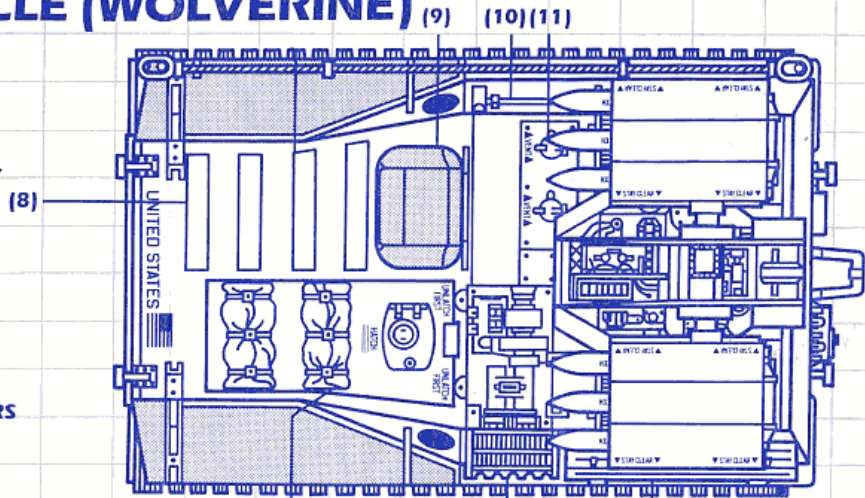
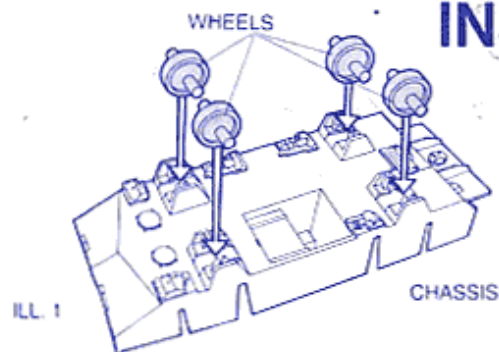


ARMED MISSILE VEHICLE (WOLVERINE) (9) (10)(11)

- 1) MAINTENANCE ACCESS PANEL
- 2) MODULAR MISSILE RACKS
- 3) MAIN BATTLE TURRET
- 4) ARMOR PLATED SUPERSTRUCTURE
- 5) RESCUE CABLE CLEATS
- 6) DRIVE BOGEYS
- 7) IDLER BOGEYS
- 8) WALKWAY
- 9) COMMAND SEAT COCKPIT
- 10) GROUND EQUIPMENT
- 11) FUEL BLADDER VENTILATORS
- 12) RESCUE CABLE
- 13) SLEEPING BAGS
- 14) ENGINE OIL FILLER ACCESS
- 15) ENGINE TURBOCHARGER HOUSING
- 16) ENGINE MAIN AIR INTAKE/FILTER CANISTERS
- 17) GROUND TO GROUND MISSILES
- 18) AIDKIT/TOOLCASE/SMALL ARMS STORAGE
- 19) EXTERNAL RADIATORS
- 20) TOW HOOK



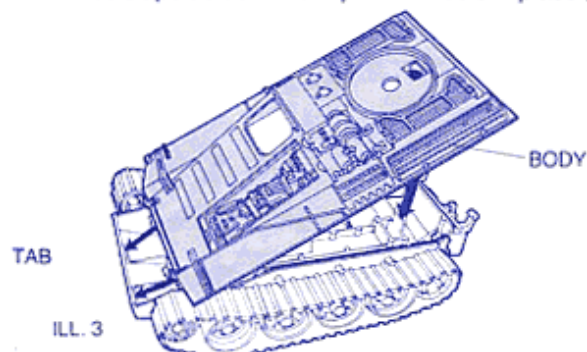
ARMORED MISSILE VEHICLE: WOLVERINE INSTRUCTIONS



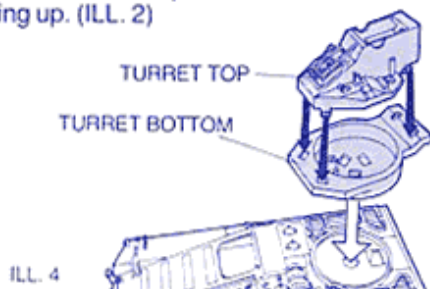
- 1 Turn chassis upside down. Snap four wheels in place (ILL. 1)



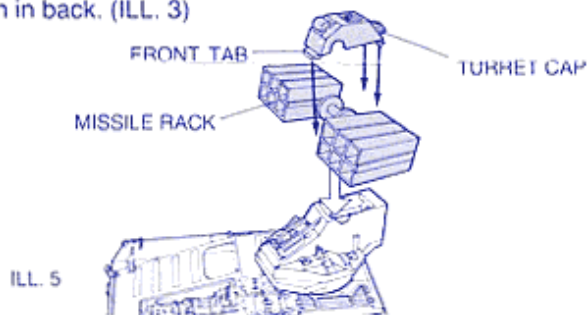
- 2 Turn chassis right side up. Place the track marked "R" on the right side of chassis, and the track marked "L" on the left side of chassis. Fit rear panel onto back of chassis with tow hook facing up. (ILL. 2)



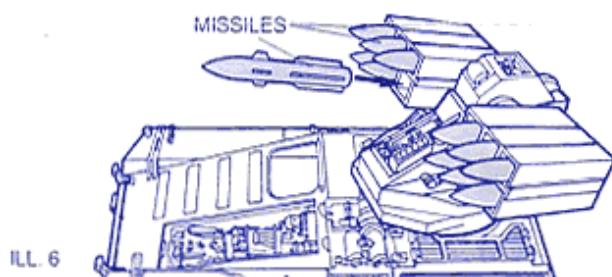
- 3 Fit front tabs on body into slots in chassis front. Snap body down in back. (ILL. 3)



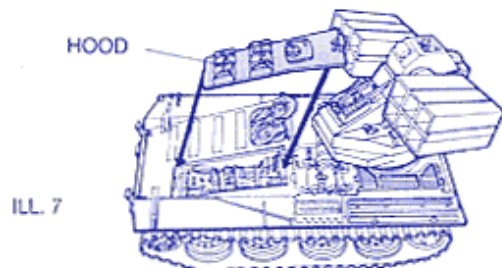
- 4 Snap turret top and turret bottom together. Snap turret into hole in body. (ILL. 4)



- 5 Place missile rack into turret. Cover with turret cap by fitting front tab into turret and snapping two rear tabs into place. (ILL. 5)



- 6 Remove missiles from runner. Fit the 12 missiles into the missile rack compartments (ILL. 6). The turret swivels 360° and the rack elevates 90°.



- 7 Fit tab on hood into slots in body front and snap down. The hood removes to show engine detail. Place Cover Girl in the driver's seat with her arms either in or out of the vehicle. (ILL. 7)



- 8 When not in use, store the tow cable over the pegs. To tow another vehicle, place the tow cable over the hooks in the back of the Wolverine and attach to the other vehicle. (ILL. 8)

Peel labels from label sheet and apply as shown.

