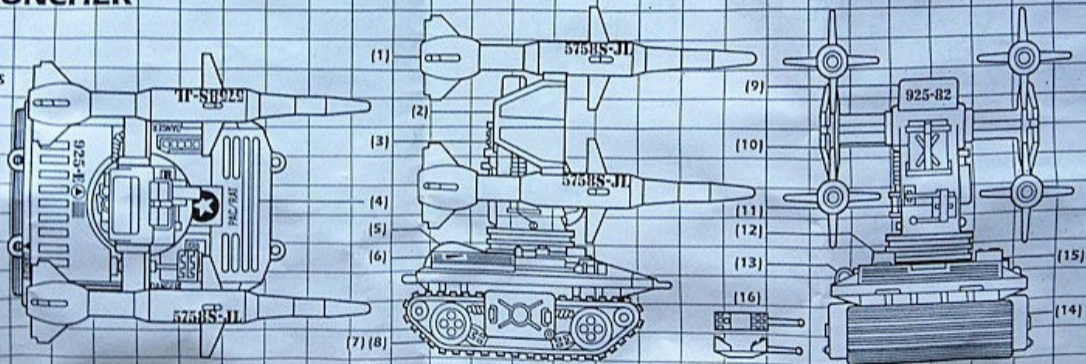


GI JOE

A REAL AMERICAN HERO™

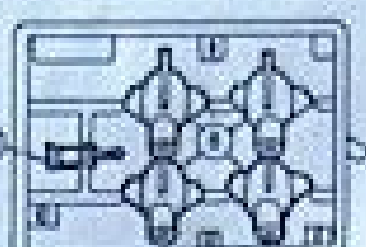
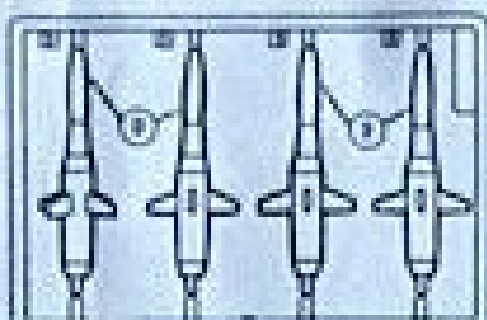
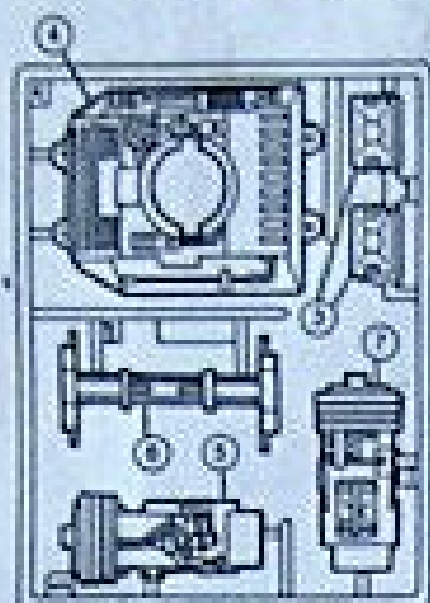
PAC/RAT MISSILE LAUNCHER

- 1) TWIN STAGE BOOSTED MISSILE
- 2) MISSILE SUPPORT PLATES
- 3) TURRET ROTATION/ELEVATION SYSTEMS
- 4) DRIVE SYSTEM AIR INTAKE
- 5) DRIVE SYSTEM EXHAUST
- 6) ENGINE COOLANT RADIATOR CORE
- 7) ALL TERRAIN TRACK
- 8) FOUR-POINT DRIVE BOGEY SYSTEM
- 9) ELEVATION DRIVE HOUSING
- 10) MISSILE PRE-PROGRAMMER
- 11) MAINTENANCE HATCH/FLYWHEEL HOUSING
- 12) RADIO RECEIVER
- 13) TEMPERATURE SENSOR
- 14) TRACK GUIDES
- 15) EMERGENCY AUTO-PROGRAMMING CONTROLS
- 16) REMOTE CONTROL ACTIVATOR



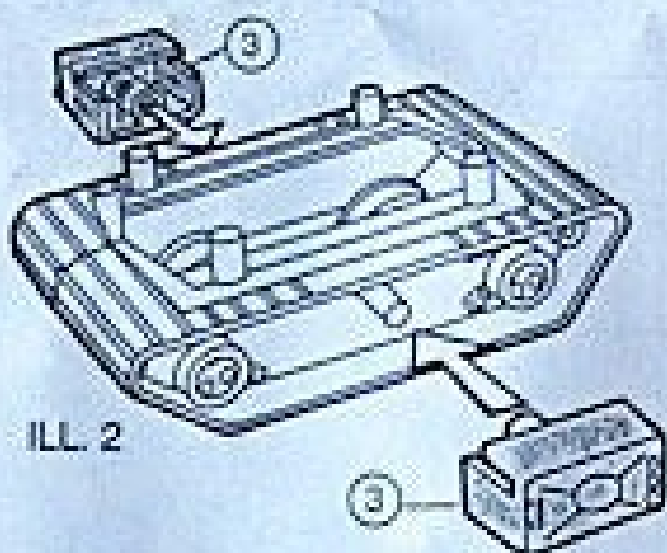
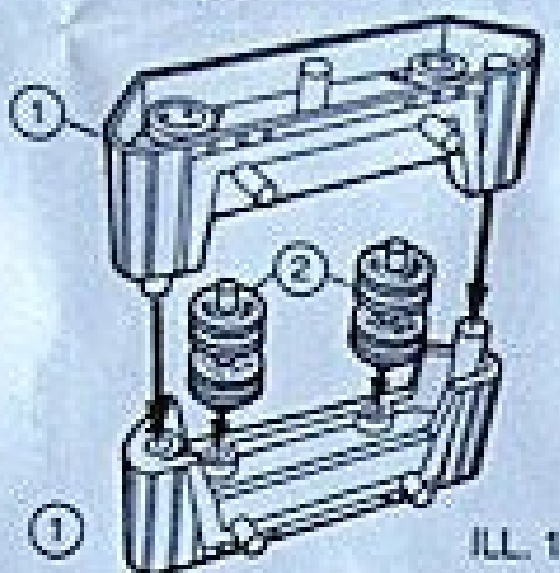
PAC/RAT Missile Launcher Instructions

PARENTAL GUIDANCE SUGGESTED



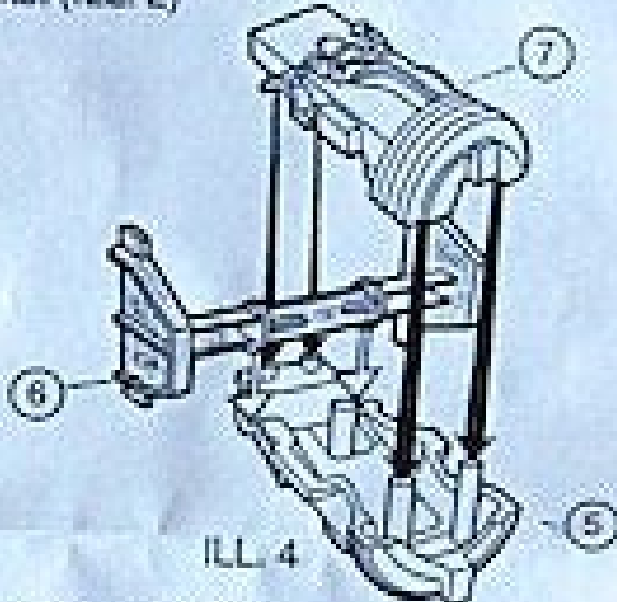
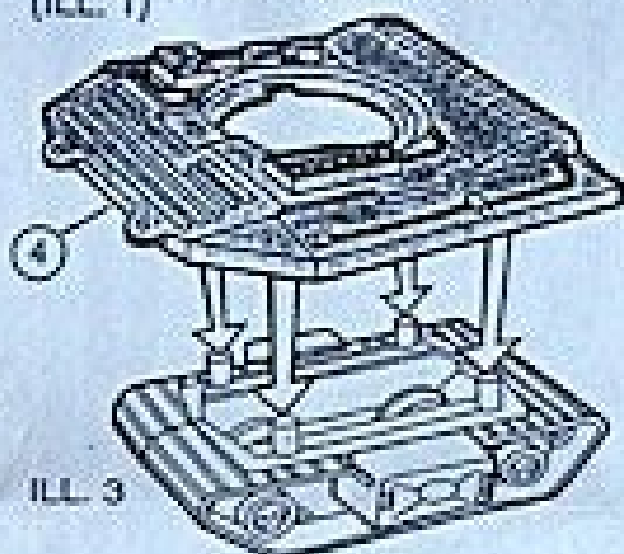
- ① Track Half
- ② Wheels
- ③ Consoles
- ④ Chassis
- ⑤ Turret Back Half
- ⑥ Missile Tree
- ⑦ Turret Front Half
- ⑧ Missile Back Stage
- ⑨ Missile Front Stage
- ⑩ Remote Control Activator

1 Carefully remove all parts from runners. Remove all excess plastic with safety (round-ended) scissors.



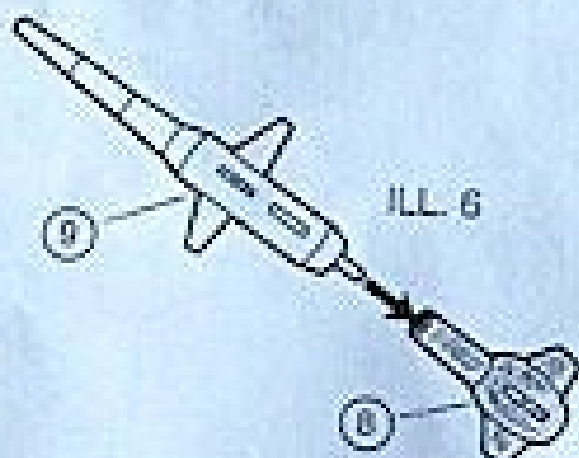
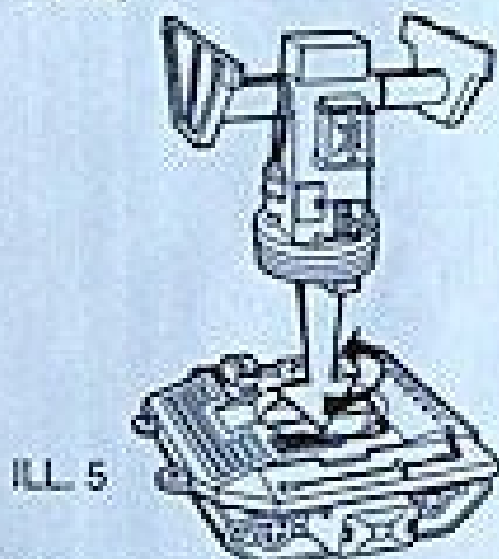
2 Fit wheels (2) into one track. Push two tracks (1) together. (ILL. 1)

3 Push consoles (3) onto sides of tracks. (ILL. 2)



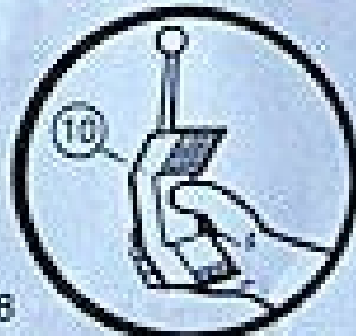
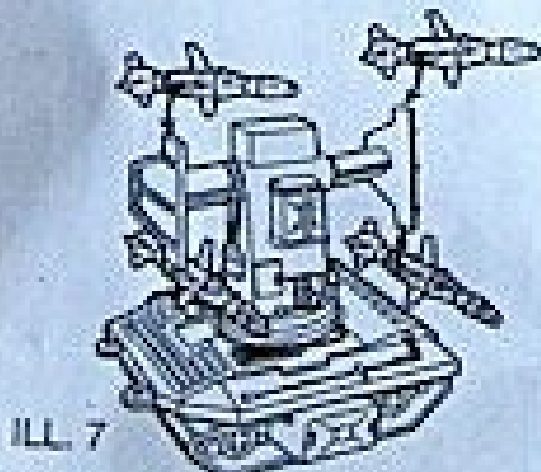
4 Fit chassis (4) over tracks. (ILL. 3)

5 Fit missile tree (6) in groove on turret back half (5). Press turret halves together. (ILL. 4)



6 Fit turret into hole in chassis and turn. (ILL. 5)

7 Push two-stage missiles together. (ILL. 6)
Make 4 missiles.



ILL. 7

ILL. 8

8 Force missiles over ends of missile tree. (ILL. 7)

9 Remote control activator fits into G.I. Joe's hand. (ILL. 8) (Figure sold separately.)
Carefully peel labels from label sheet and apply as shown.

