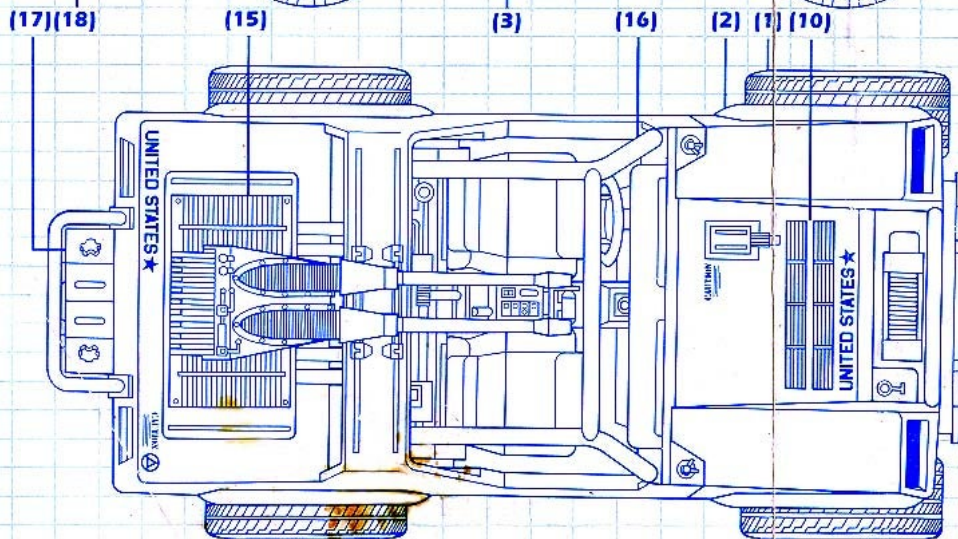
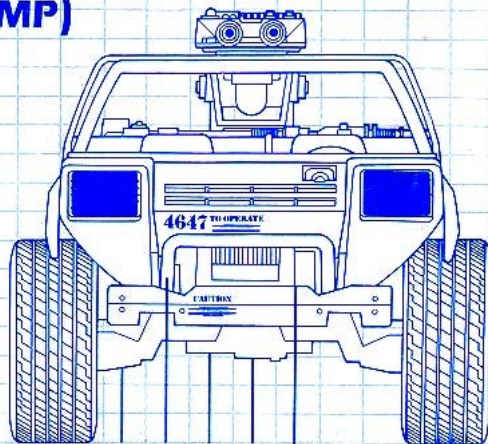
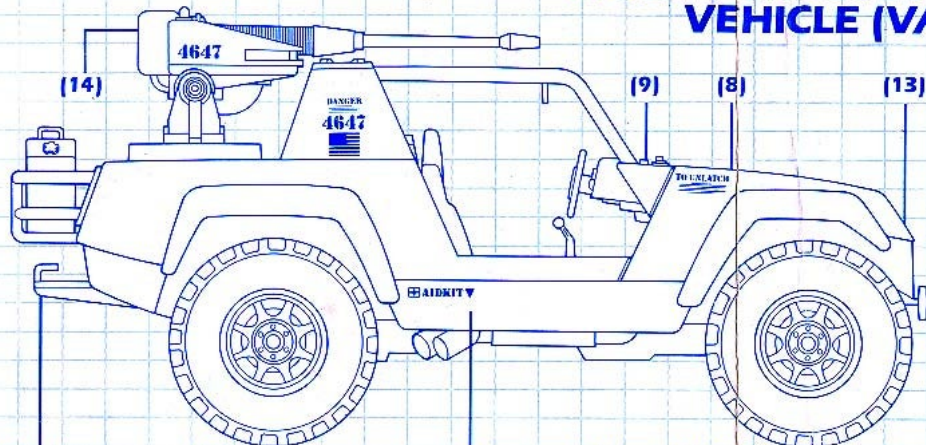


**MULTI-PURPOSE ATTACK
VEHICLE (VAMP)**



- 1) OFF-ROAD TIRES ON ALLOY WHEELS
- 2) URETHANE FENDER FLARES
- 3) CONCEALED AIDKIT AND TOOLBOX
- 4) 4-WHEEL DISC BRAKES
- 5) 4-WHEEL INDEPENDENT SUSPENSION
- 6) 4-WHEEL DRIVE
- 7) 4.8 LITER V-12 FUEL-INJECTED TWIN-TURBO ENGINE
RANGE: 550 MILES
TOP SPEED: 140 MPH
- 8) FIBERGLASS HOOD CANOPY
- 9) HOOD HOLD-DOWN PINS
- 10) HEAT EXTRACTORS
- 11) HEAVY-DUTY WINCH
- 12) TOW BAR
- 13) HALOGEN HEADLAMP WITH ELECTRIC DEFROSTERS
- 14) MACHINE GUN – 7.62 MM/COMPUTER SYNCHRONIZED
- 15) CANNON VENTILATOR INTAKES
- 16) ROLL CAGE
- 17) BULLET PROOF GAS CANS
- 18) TOW HOOK

