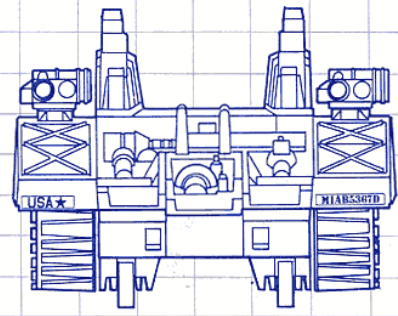
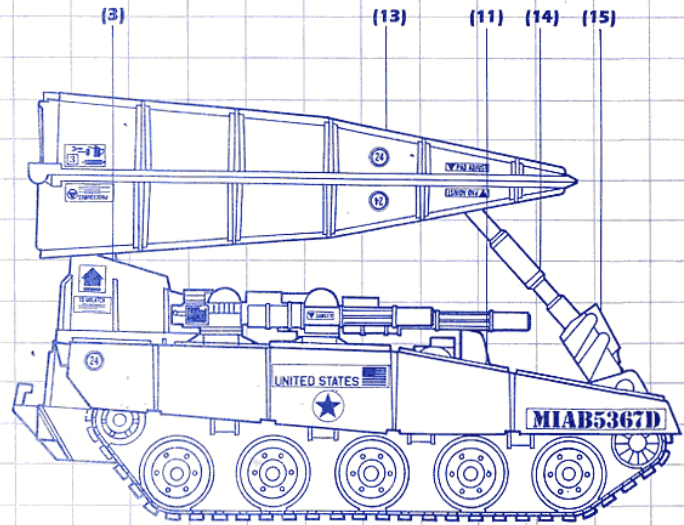
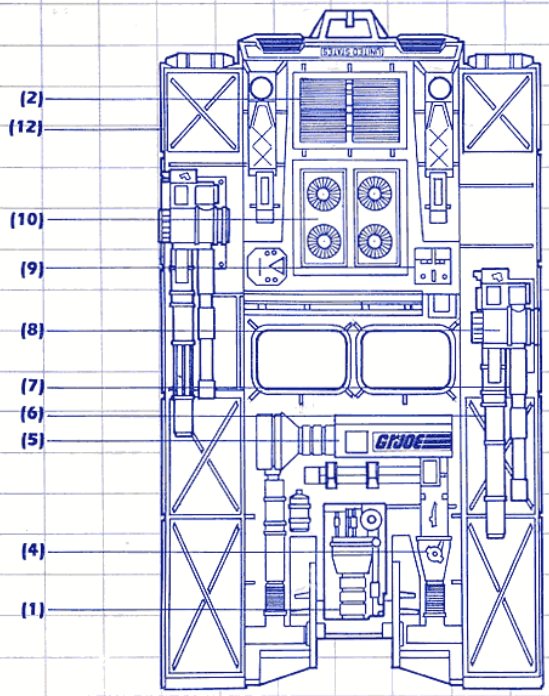


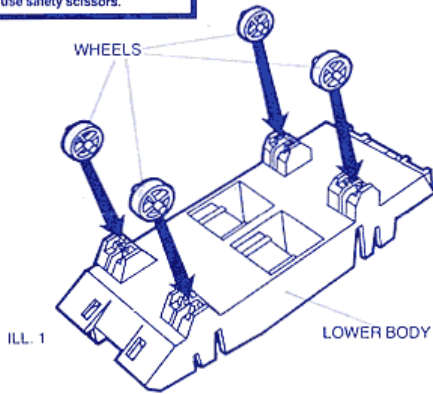
BRIDGE LAYER (TOSS 'N CROSS)

- 1) ELEVATOR MECHANISM PRIMARY PUMPING UNIT
- 2) HIGH CAPACITY MAIN RADIATOR
- 3) REINFORCED BRIDGE CRADLE
- 4) EMERGENCY HYDRAULIC SYSTEM WASTEGATE
- 5) PUMP EQUALIZATION CHAMBER
- 6) ALUMINUM SEMI-AUTOMATIC 105 MM "RAP" CANNONS
- 7) LASER TARGET DESIGNATOR
- 8) AUTOMATIC GUN STABILIZATION SYSTEM
- 9) DIGITAL BALLISTICS COMPUTER HOUSING
- 10) HTS-T2 FORCED-INDUCTION 1700HP TURBINE ENGINE
- 11) TITANIUM ALLOY/NYLON MICROMESH BONDED HULL
- 12) ELECTRONIC DATA PROCESSING ACCESS PANEL
- 13) MAGNESIUM ALLOY ROAD PLATES
- 14) HYDRAULIC STRUTS
- 15) HYDRAULIC FLUID COUPLER

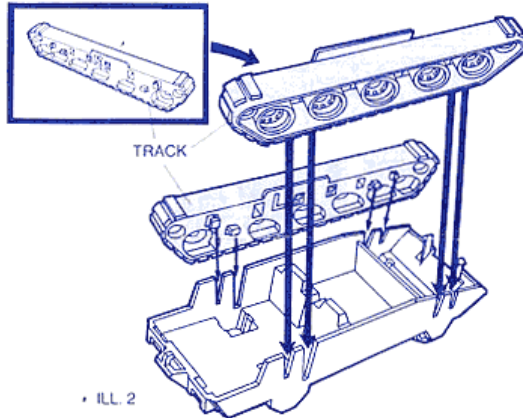


G.I. JOE BRIDGE LAYER (TOSS 'N CROSS)

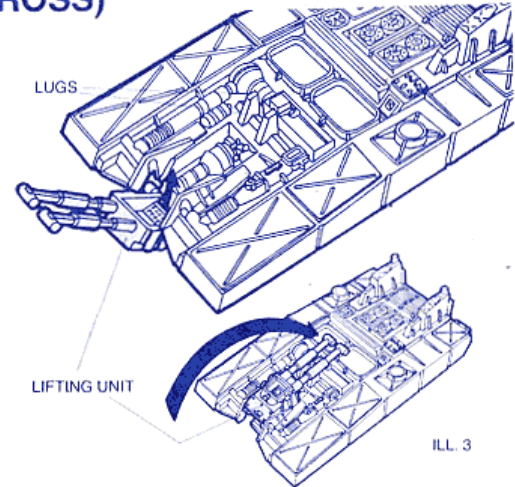
Remove all pieces from plastic frames. If you have difficulty, use safety scissors.



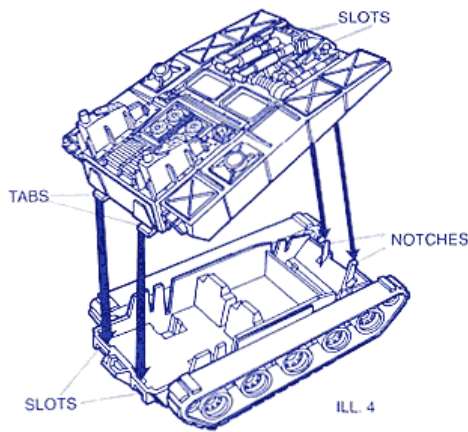
1 Turn lower body upside down. Snap four wheels into place. Turn body right side up. (ILL. 1)



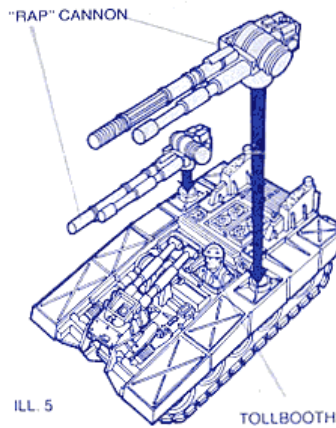
2 Place the track marked "L" into the slots on the left side of the lower body. Repeat with right track. (ILL. 2)



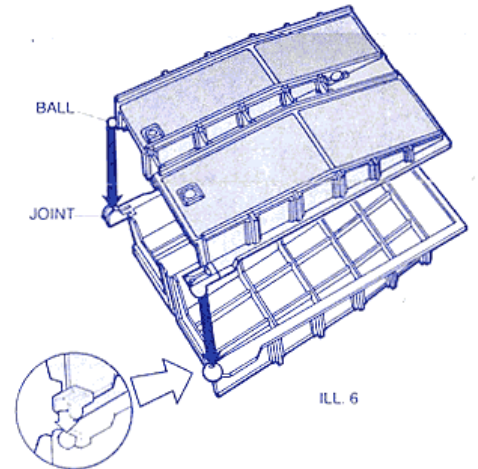
3 Hold lifting unit upside down. Fit rounded posts on lifting unit between slots in upper body. Slide up to top of slots. Pivot lifting unit down onto lugs. (ILL. 3)



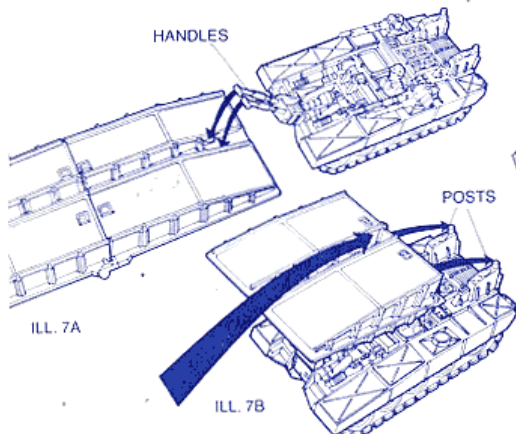
4 Insert back tabs of upper body into back slots of lower body. Press front down until notches snap into slots. (ILL. 4)



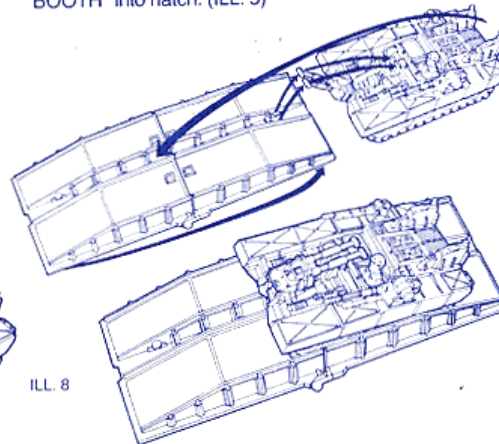
5 Insert each "RAP" cannon into holes on top of upper body. Press into place. Place G.I. Joe figure "TOLL-BOOTH" into hatch. (ILL. 5)



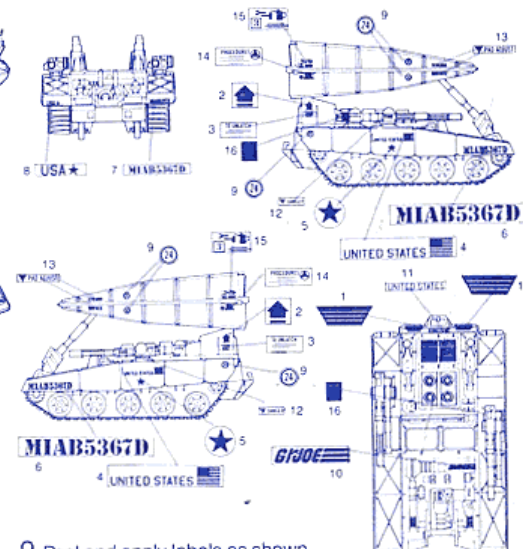
6 Place bridge halves together as shown. On each side, snap ball into socket. (ILL. 6)



7 Unfold bridge. Insert handles of lifting unit into holes at end of bridge. (ILL. 7A) Fold bridge over vehicle. Place holes on bridge onto posts. (ILL. 7B)



8 To Toss 'n Cross bridge, fold out bridge. Squeeze handles of lifting unit to release bridge. Drive vehicle over bridge. Turn vehicle around and attach lifting unit at other end of bridge. (ILL. 8)



9 Peel and apply labels as shown.