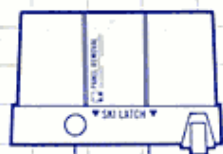
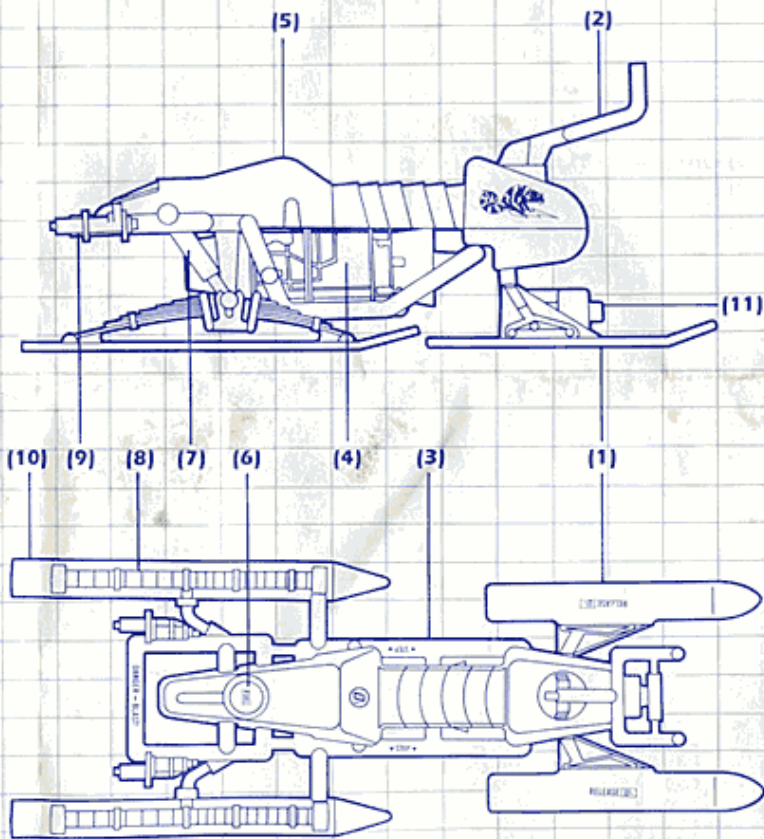
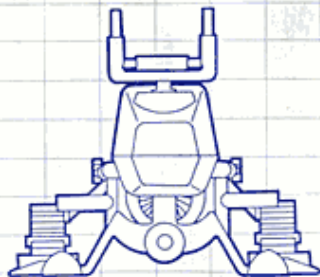
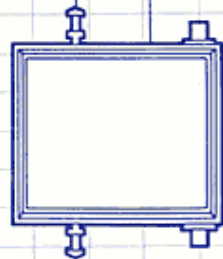


SWAMP SKIER (CHAMELEON)

- 1) RIGID HIGH-STRENGTH FRONT SKIS
- 2) TWIN-POSITION PADDED HANDLEBARS
- 3) LIGHTWEIGHT POLYCARBONATE TUBE FRAME
- 4) 1 X Z12-A MICROJET ENGINE
- 5) FIBERGLASS SHELL
- 6) FUEL FILLER INLET
- 7) NITROGEN-FILLED REAR SHOCK ABSORBERS
- 8) LEAF SPRING REAR SUSPENSION
- 9) WIDE-DISPERSION INK SPRAYERS
- 10) HIGH-FLEX LAMINATED REAR SKIS
- 11) HIGH-CAPACITY WATER NOZZLE
- 12) WELDED ALUMINUM ARMORED TOWING CONTAINER
- 13) SKI MOUNTS

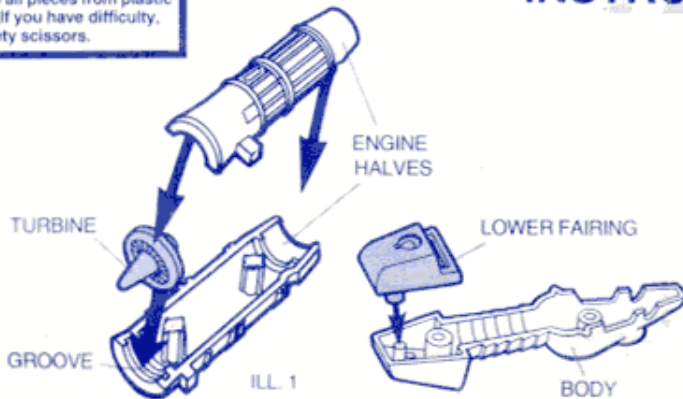


(13) (12)

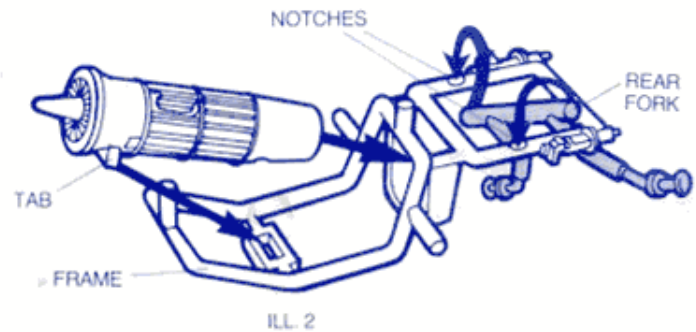


ZARTAN THE ENEMY WITH SWAMP SKIER (CHAMELEON) INSTRUCTIONS

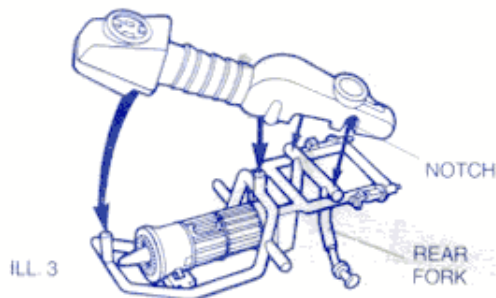
Remove all pieces from plastic frames. If you have difficulty, use safety scissors.



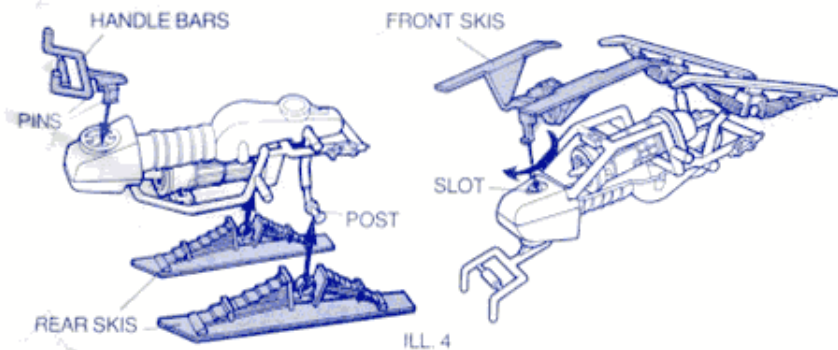
- 1 Place turbine in groove in one engine half. Press engine halves together. Fit lower fairing onto body as shown. (ILL. 1)



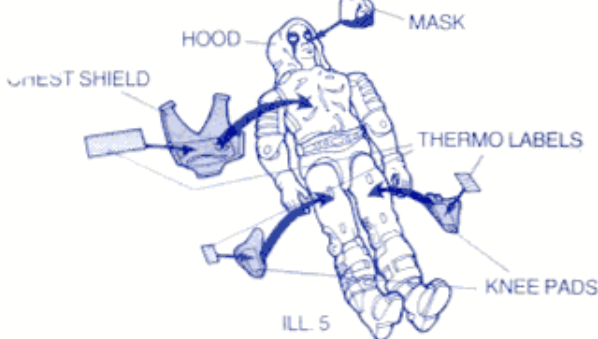
- 2 Insert engine into frame. Rest notch on U-bar and press tab into slot. Insert rear fork from bottom of frame and rest in notches. (ILL. 2)



- 3 Line up rear pin and press body onto frame. Make sure rear fork fits into notch on body. (ILL. 3)

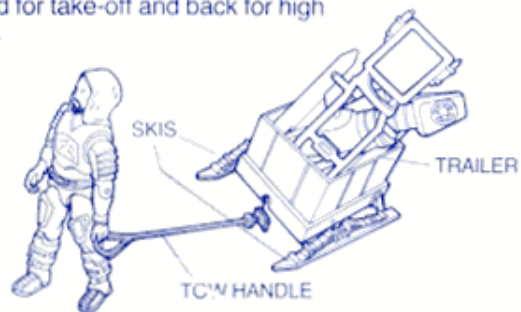


- 4 Snap pins on handle bars into hole in front of body. Handle bars can face either front or back. Snap rear skis onto posts on rear fork as shown. Insert tab on front skis into slot in lower fairing. Turn skis around to face forward. (ILL. 4) Adjustable rear forks go forward for take-off and back for high speed.



- 5 Carefully peel covering from front of thermo label. Apply labels to inside of Zartan's chest shield and knee pads. Two sets of thermo labels are included. Place face mask over Zartan's face. Hood is not removable. (Face mask can be stored in backpack.)

Thermo labels in chest and knee pads change color from the heat of your hand. Zartan's skin and Chameleon's body change color from the ultra violet rays of the sun, but not through window glass. The change takes longer on cloudy days.



- 7 Peel off labels and apply as shown.

