

## MORTAR DEFENSE UNIT

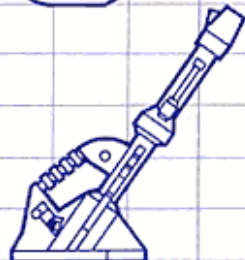
- 1) 55 GALLON FUEL DRUM
- 2) 18.9 LITER GAS CANS
- 3) SANDBAGS
- 4) EX-335 LWCM 60MM LIGHT WEIGHT COMPANY MORTAR
- 5) 60MM SELECTIVE-DETONATION MORTAR PROJECTILES IN CRATE
- 6) FIGURE POSING STANDS



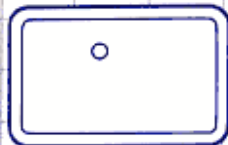
(1)



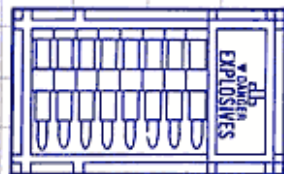
(3)



(4)



(6)



(5)

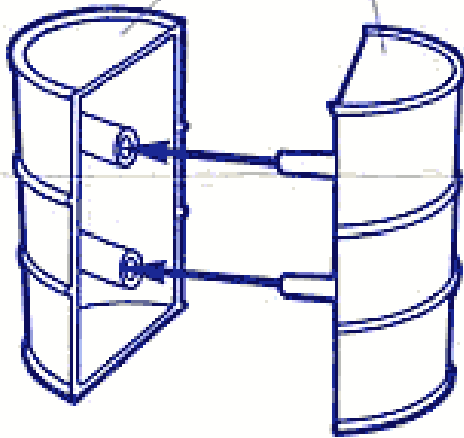


(2)



## MORTAR DEFENSE UNIT

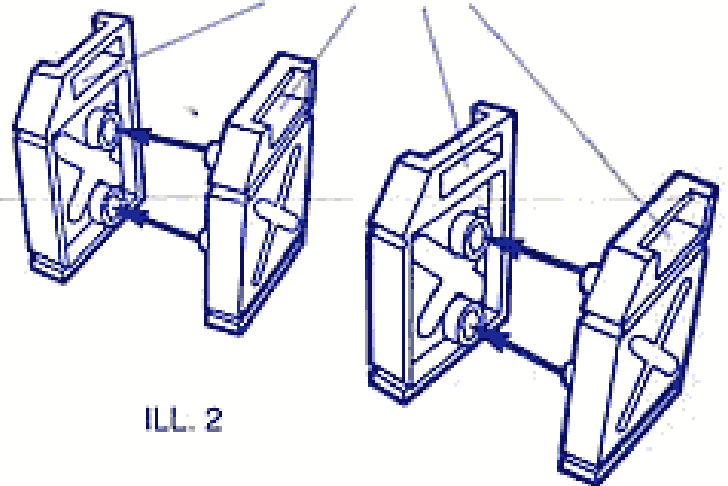
BARREL HALVES



ILL. 1

1 Press barrel halves together as shown. (ILL. 1)

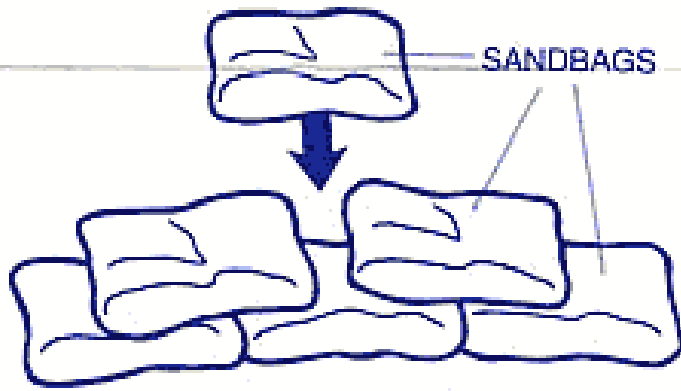
GAS CAN HALVES



ILL. 2

2 Press gas can halves together as shown. Repeat for other can. (ILL. 2)

SANDBAGS



ILL. 3

3 Stack sandbags right side up. They can be overlapped like bricks as shown. (ILL. 3)

FIGURE  
(not included)



FIGURE  
STAND

ILL. 4

4 Figure may be posed on figure stands. (ILL. 4)

5 Peel off labels and apply as shown.

