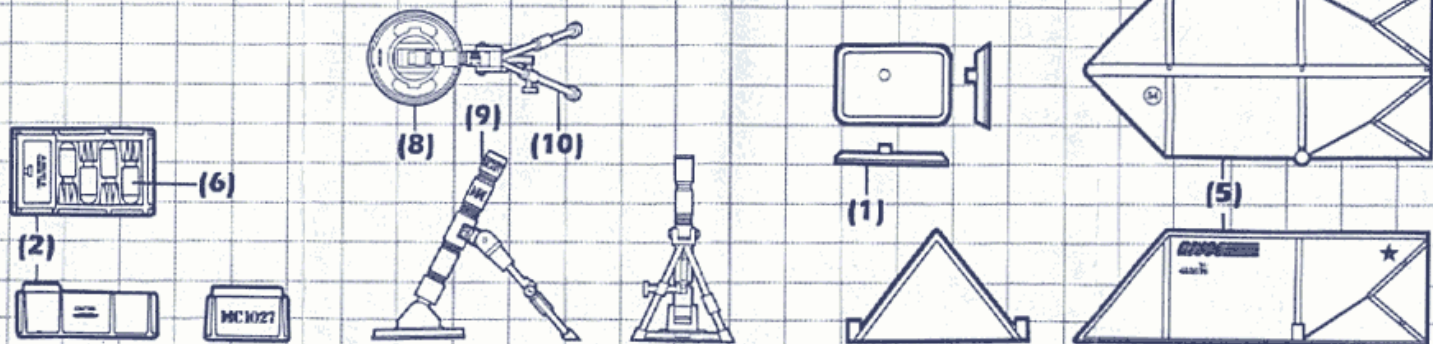


G.I. JOE

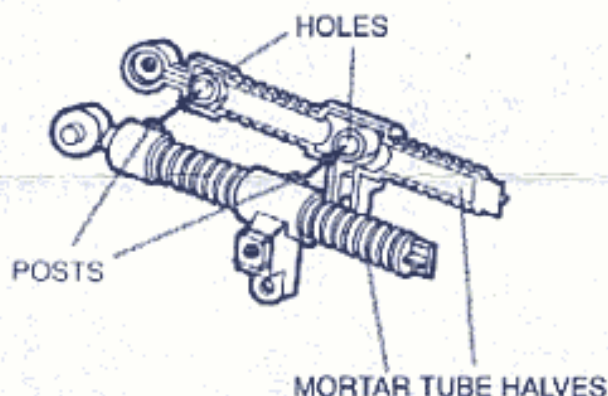
FORWARD OBSERVER

- 1) FIGURE POSING STAND
- 2) ARMORED AMMUNITION BOX WITH LOCKABLE COMPARTMENT
- 3) 2-WAY BULLET-RESISTANT POLYCARBONATE RADIO
- 4) OMNI-DIRECTIONAL TRANSMITTING/RECEIVING ANTENNA
- 5) BULLET-PROOF NYLON MICROMESH LAMINATED TENT
- 6) NEAR-SURFACE FUSED 55MM HE-1 MORTAR PROJECTILE
- 7) SINGLE-SHOT 55-A-75MM SUPPLEMENTAL MORTAR PROJECTILE
- 8) HIGH-THRUST MORTAR CHASSIS
- 9) EX-29 55MM REUSABLE MORTAR
- 10) BIPOD SUSPENSION
- 11) 40X PM-HR8 INFRARED MONOCULAR
- 12) WIDE-STANCE HIGH-STABILITY BIPOD

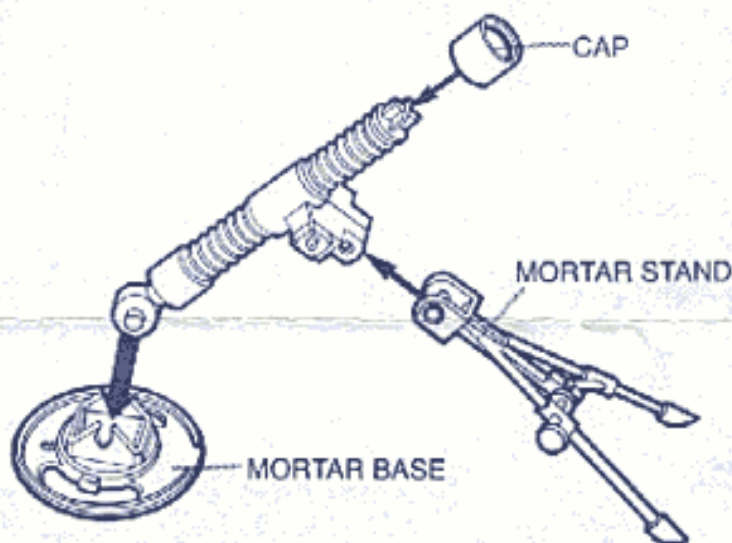


FORWARD OBSERVER INSTRUCTIONS

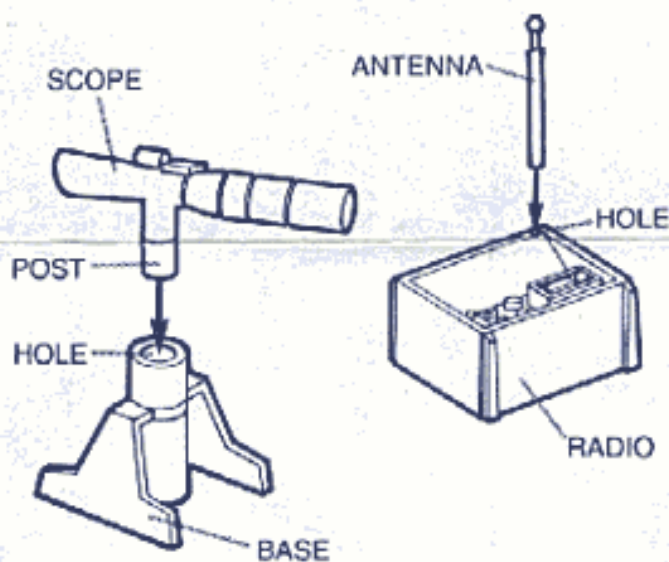
Remove all pieces from plastic frames. If you have difficulty, use safety scissors.



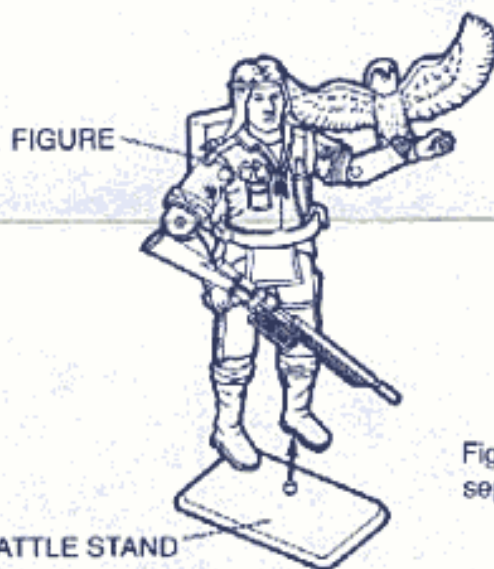
- 1 Connect two halves of mortar tube by inserting posts into holes.



- 2 Fit cap onto top of mortar tube. Snap bottom of tube into middle of mortar base. Snap mortar stand onto holes on side of tube.



- 3 Insert post on scope into hole on scope base. Insert antenna into hole in radio. Antenna can be moved up and down.



Figures sold separately.

- 5 Peel and apply labels as shown.

