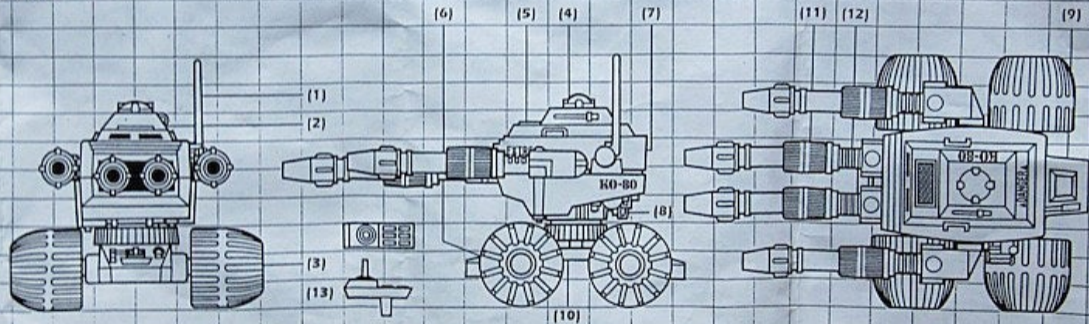


PAC/RAT MACHINE GUN

- 1) EXTERNAL RADIO RECEIVER ANTENNA
- 2) TEMPERATURE SENSOR
- 3) SOFT TERRAIN TIRES
- 4) SEALED RADAR DOME
- 5) COOLING SYSTEM AIR INTAKE
- 6) ELECTRIC DRIVE ACCESS PANELS
- 7) PRE-PROGRAMMING COMPONENTRY
- 8) ROTATIONAL MOTOR HOUSING
- 9) TOW RAILS
- 10) PIVOTING ALL-TERRAIN CARRIAGE
- 11) GUN BARREL INSULATORS
- 12) INNER BARREL HEAT SINKS
- 13) REMOTE CONTROL ACTIVATOR

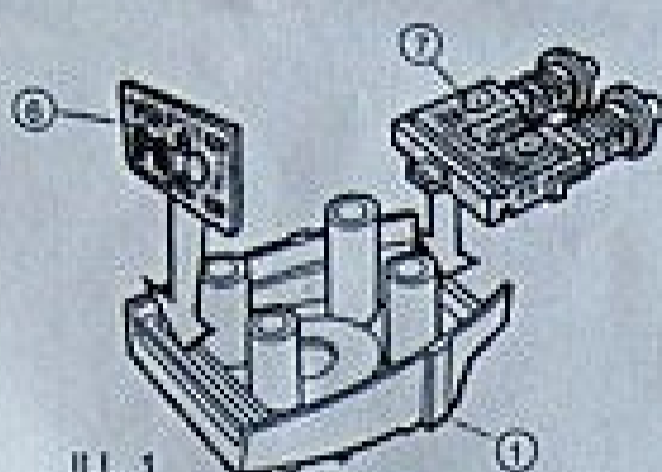
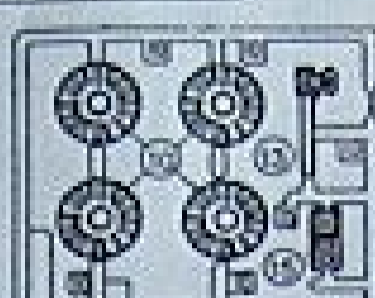
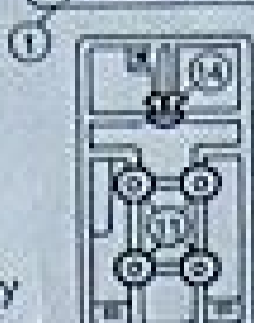
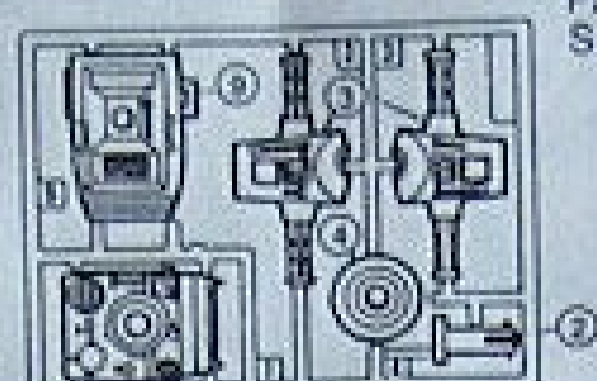


PAC/RAT Machine Gun Instructions

PARENTAL GUIDANCE
SUGGESTED

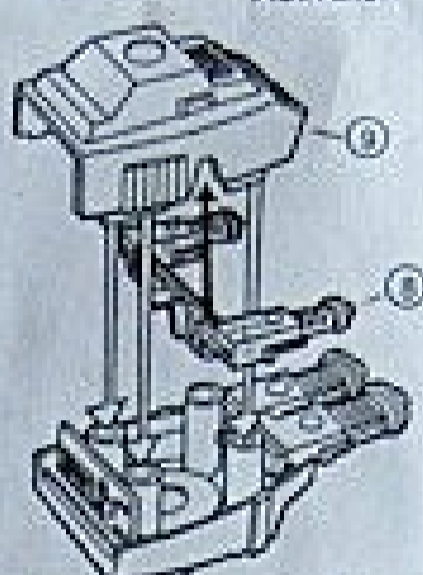
- ① Turret Bottom
- ② Pin
- ③ Axes
- ④ Chassis
- ⑤ Back Panel
- ⑥ Middle Gun Arms
- ⑦ Outer Gun Arms
- ⑧ Turret Top
- ⑨ Wheels
- ⑩ Weapon Connectors
- ⑪ Barrels
- ⑫ Antenna
- ⑬ Dome
- ⑭ Remote Control Activator

1 Carefully remove all parts from runners as needed. Remove all excess plastic with safety (round-ended) scissors.



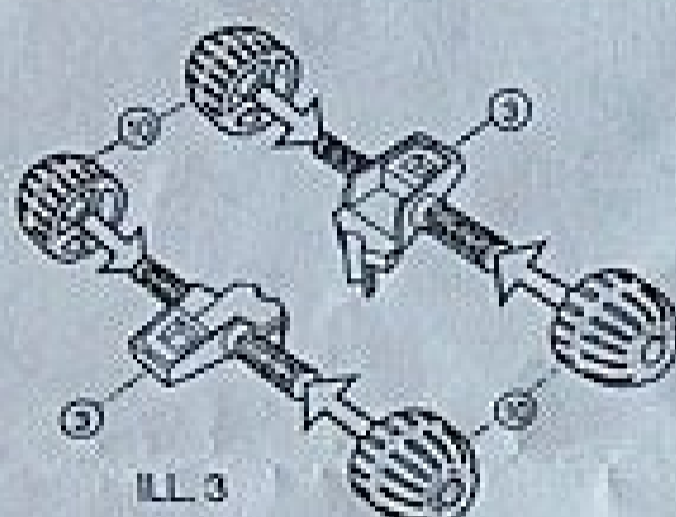
ILL. 1

2 Place middle two gun arms (6) on turret bottom (1). Fit back panel (5) in turret bottom. (ILL. 1)



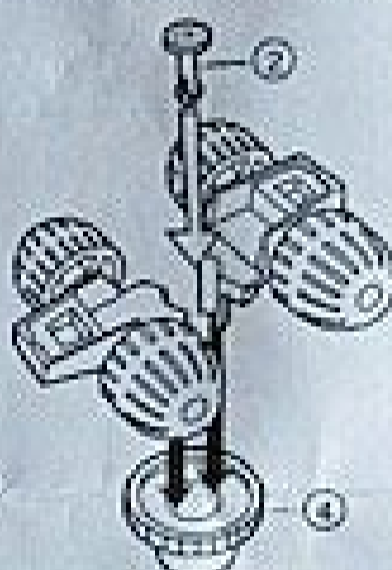
ILL. 2

3 Place two outer gun arms (7) in turret top (8). Hold together and snap turret top and turret bottom together. (ILL. 2)



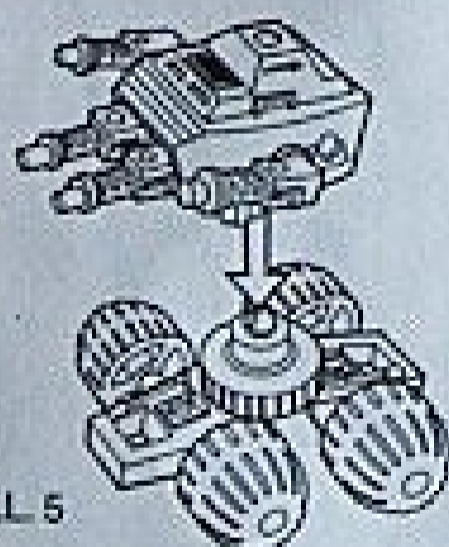
ILL. 3

4 Push 4 wheels (9) onto axes (3) until they snap. (ILL. 3)



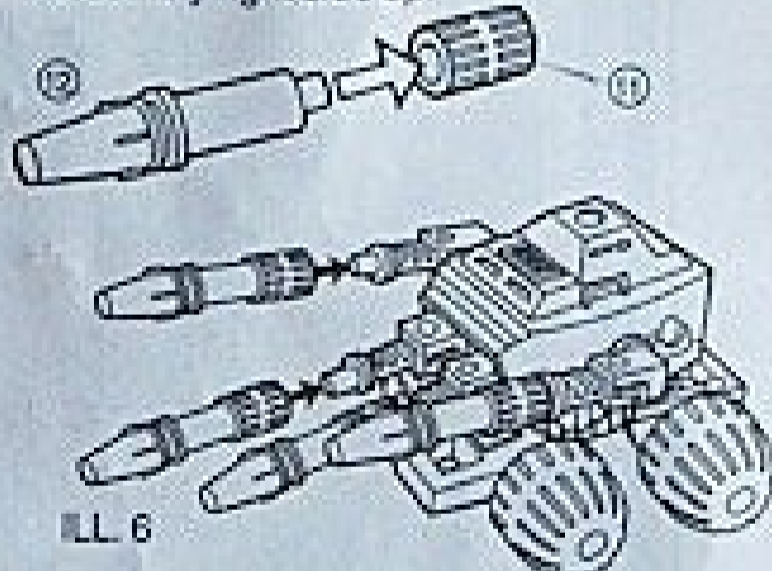
ILL. 4

5 Place axes (3) into chassis (4) hole. Insert pin (2) through hole. (ILL. 4) Turn chassis assembly right side up.



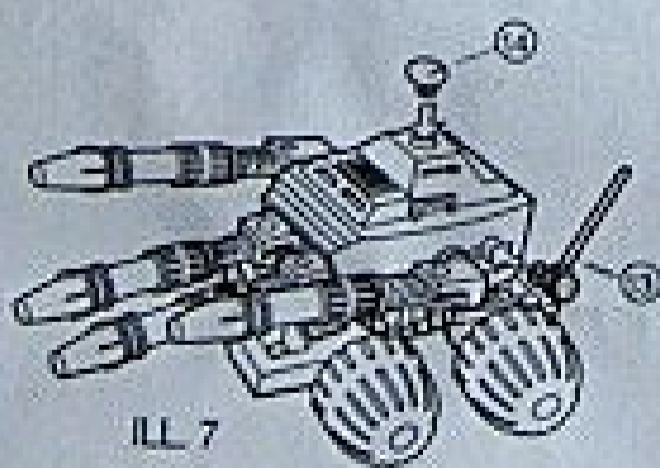
ILL. 5

6 Snap turret over pin on chassis. (ILL. 5)



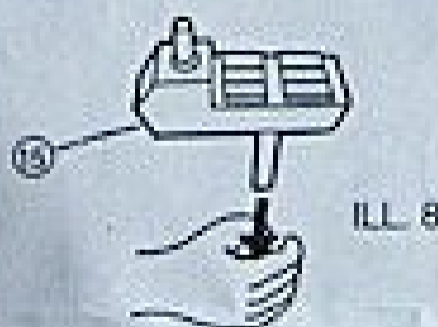
ILL. 6

7 Fit weapon connectors (10) onto barrels (11). Push onto guns. (ILL. 6)



ILL. 7

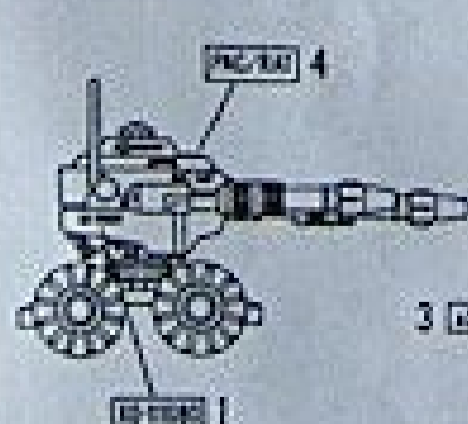
8 Fit dome (12) into turret top. Snap antenna (13) into hole on side of turret. (ILL. 7)



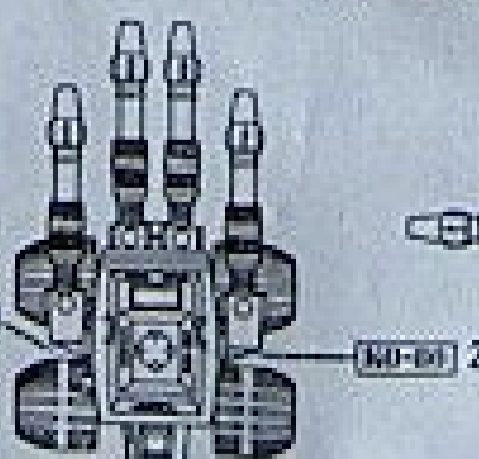
ILL. 8

9 Remote control activator (14) fits into G.I. Joe's hand. (ILL. 8) (Figure sold separately.)

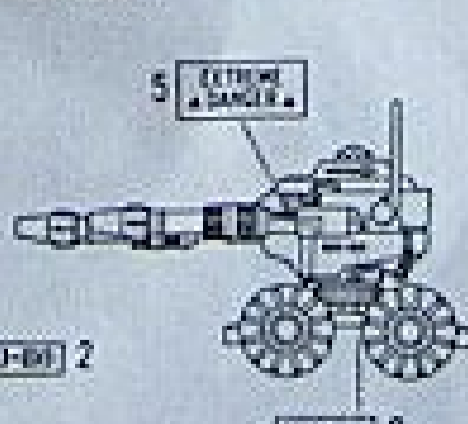
Carefully peel labels from sheet and apply as shown.



1



2



3