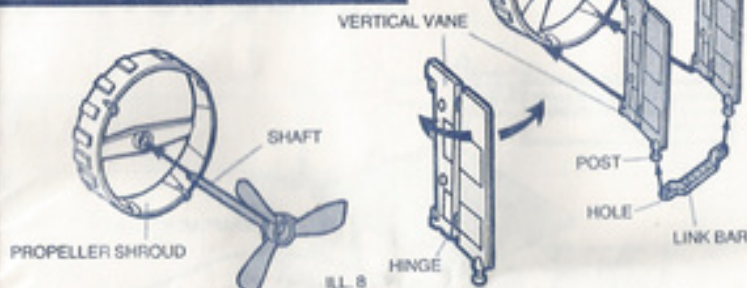
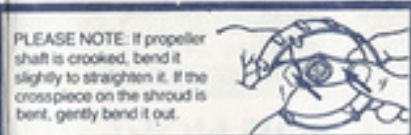
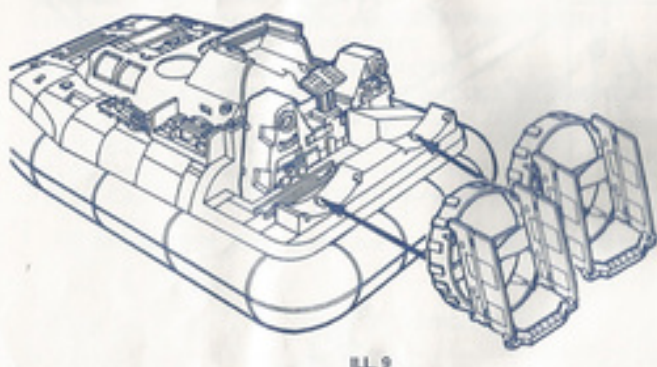


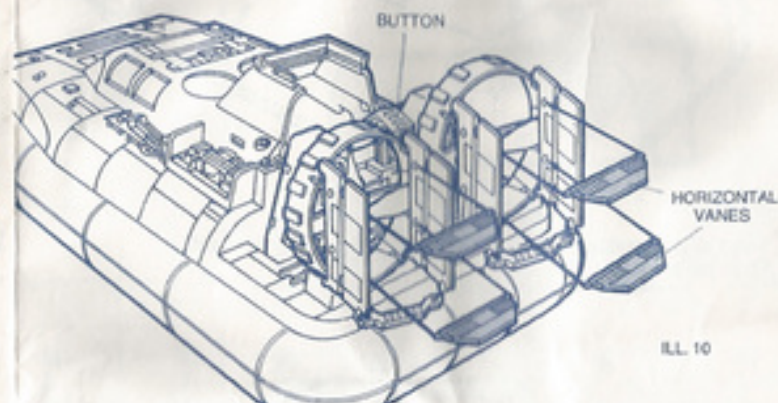
7 Line up gear box as shown with holes for the props facing rear, snap gear box into rear of deck. (ILL. 7)



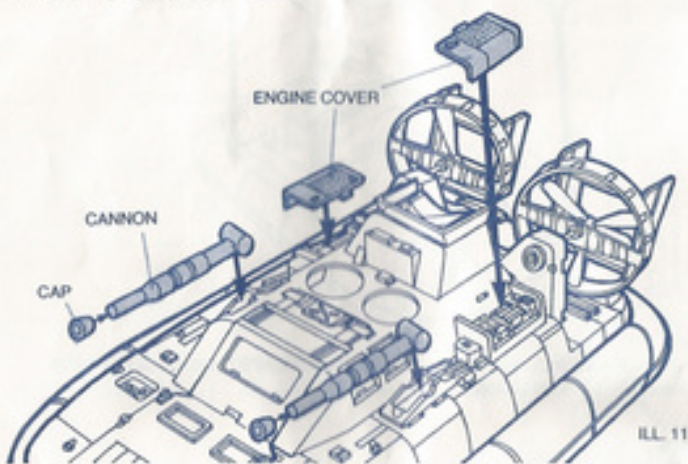
8 Insert propeller shaft through hole in propeller shroud. Bend hinge of vertical vanes back and forth four times to loosen. Insert post on bottom of vertical vane to propeller shroud. Attach top of vane in same manner. Repeat other vane. Place post on bottom of vertical vane into hole in link bar. (ILL. 8) Repeat with other shroud.



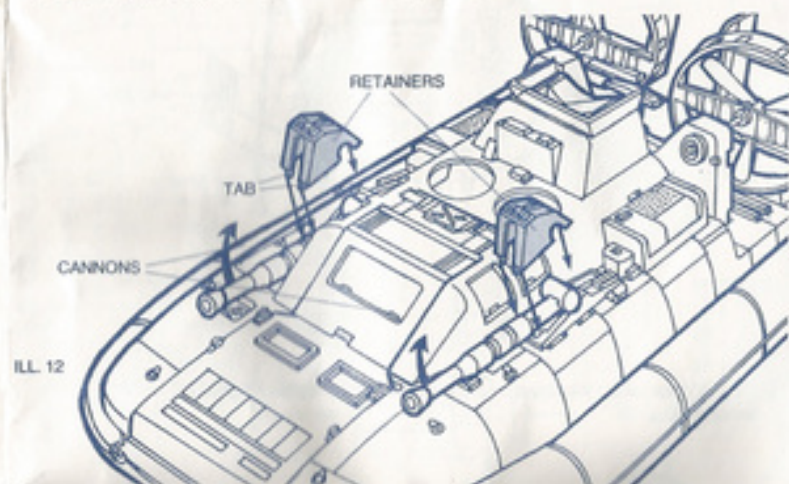
9 Slide notch on outside of propeller shroud into slot in deck. Push shroud forward into place. Push and rotate shaft into gear box until it fits in proper position. Repeat with other propeller shaft. (ILL. 9)



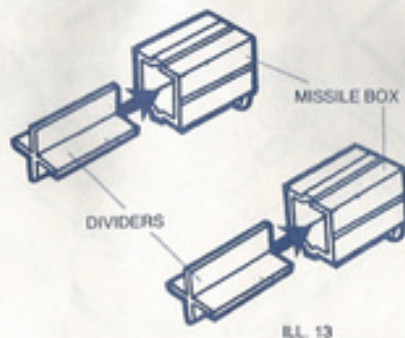
10 Insert posts on horizontal vanes into holes of vertical vanes. To spin propellers, push down on button. (ILL. 10)



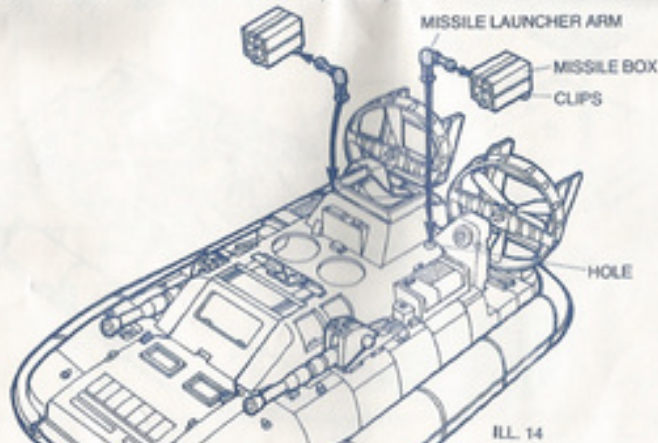
11 Place engine covers over engines. Fit a cap over front of each cannon. Set each cannon into mount on top of deck. (ILL. 11)



12 To attach retainers, position front tabs under ridge and snap back tabs into place. Raise cannons for battle action. (ILL. 12)



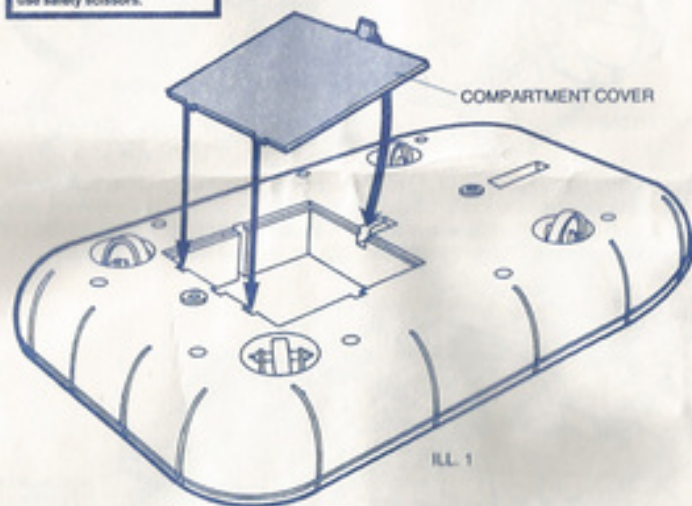
13 Line up tab of missile launcher dividers with slot in back of missile box. Snap dividers into place. Repeat with other missile box. (ILL. 13)



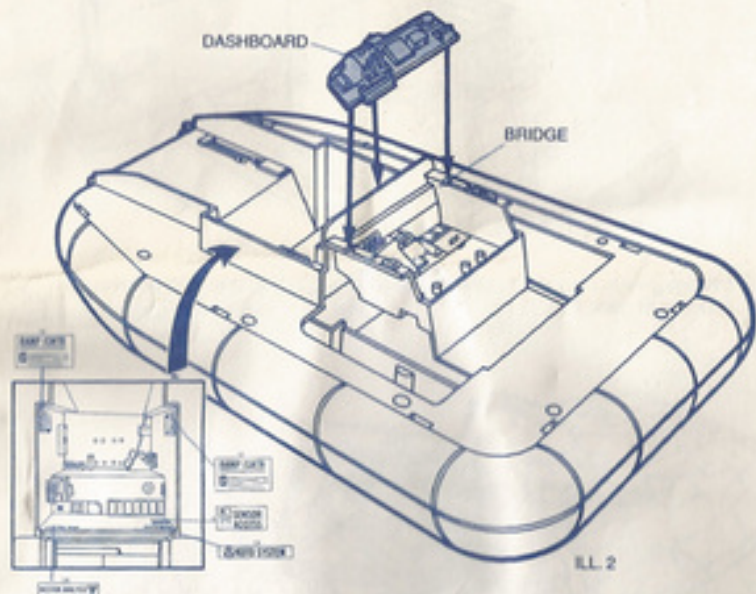
14 Place missile launcher arm into hole in deck and snap into place. Repeat with other arm. Attach clips on bottom of missile boxes to launcher arms. (ILL. 14)

G.I. JOE HOVERCRAFT INSTRUCTIONS

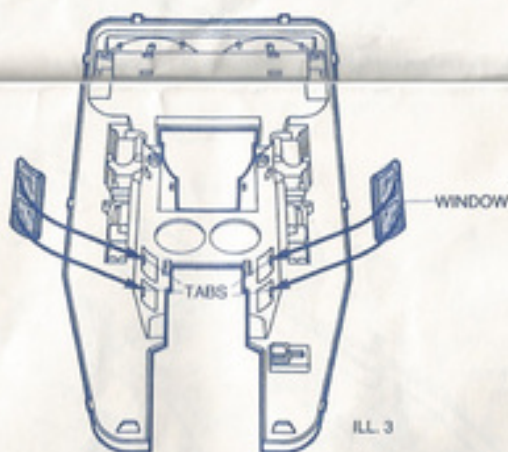
Remove all pieces from plastic frames. If you have difficulty, use safety scissors.



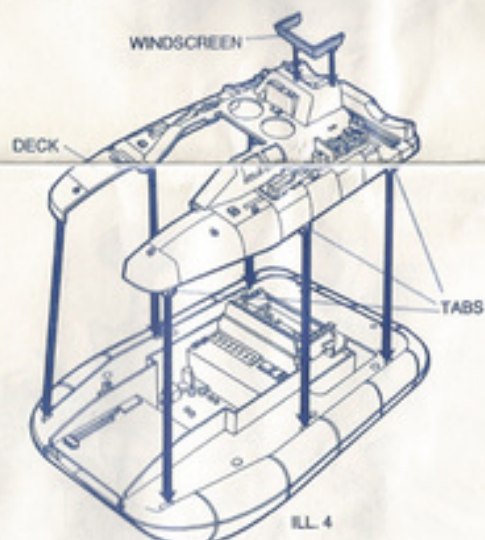
- 1 Insert tabs on compartment cover into slots underneath Hovercraft. Snap into place. (ILL. 1)



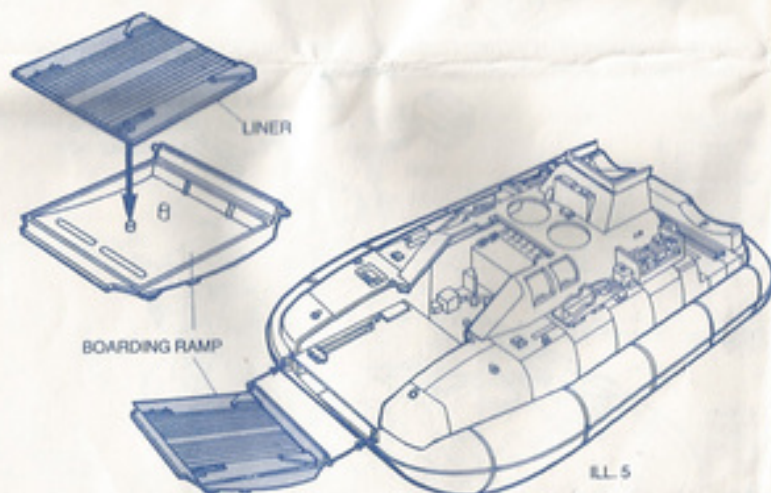
- 2 Place dashboard into place on bridge. Peel and apply labels 7, 12, 13, and 14. (ILL. 2)



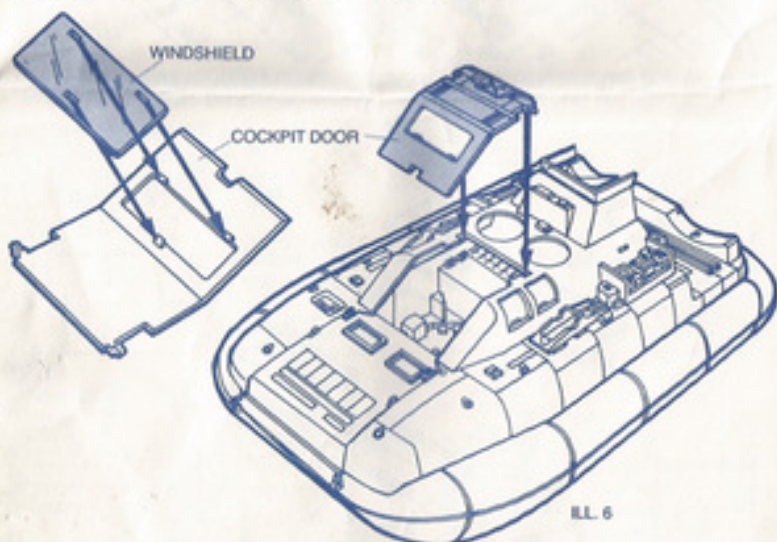
- 3 On the deck, snap windows over tabs on window frame. Repeat with other window. (ILL. 3)



- 4 Attach tabs on deck into slots on body assembly. Snap into place. Insert tabs on windscreen into slots and snap onto top of bridge. (ILL. 4)



- 5 Line up post on boarding ramp with hole on liner and press into place. Line up posts on ramp with holes in front of deck and snap in place. (ILL. 5)



- 6 Insert windshield over tabs on cockpit door and snap into place. Snap posts on cockpit door into slots in cockpit. (ILL. 6)