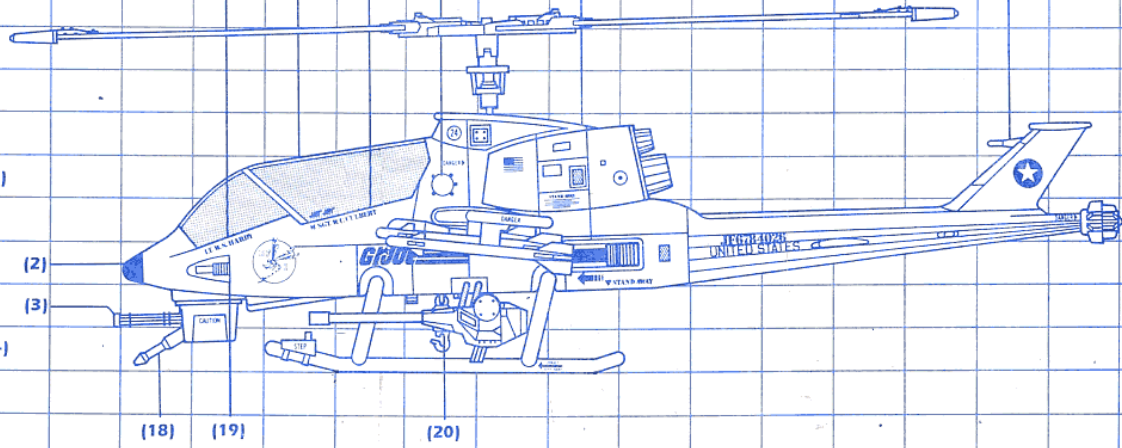
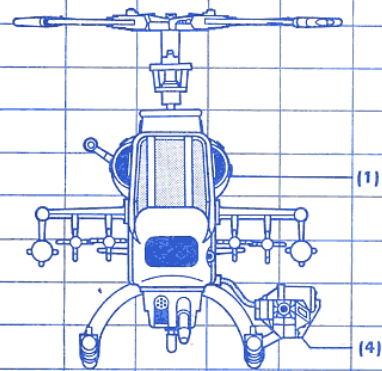
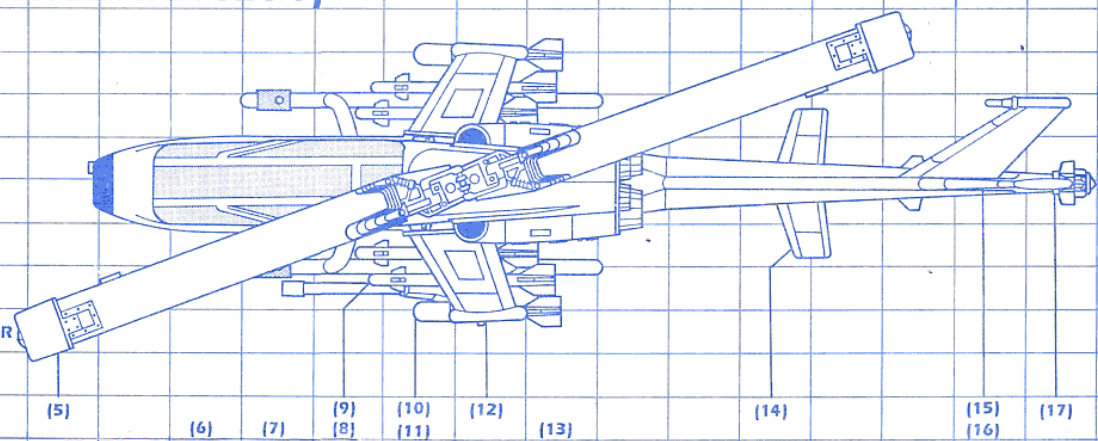


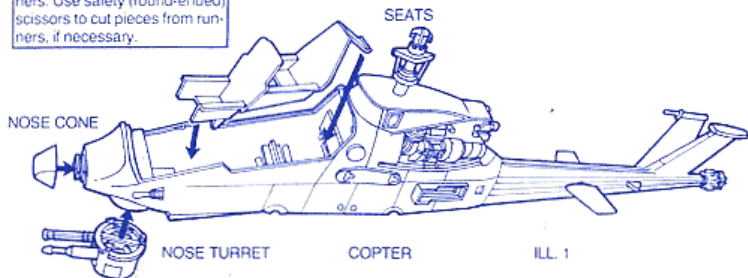
# ASSAULT COPTER (DRAGONFLY XH-1)

- 1) VARIABLE CAPTURE AREA AIR INTAKE
- 2) 317-A HIGH-RESOLUTION RADAR
- 3) 25MM VULCAN GATLING CANNON
- 4) LASER-GUIDED 160MM CANNON POD
- 5) CARBON REINFORCED MAIN ROTOR
- 6) PILOT POSITION
- 7) DIFFUSION BONDED CANOPY
- 8) GUNNER POSITION
- 9) SIDEWINDER AIR-TO-GROUND MISSILES
- 10) SIDEWINDER H.E. MISSILES
- 11) MAINTENANCE ACCESS PANEL
- 12) WEAPONS PYLONS
- 13) TWIN TURBOSHAFT ENGINES
- 14) REAR HORIZONTAL STABILIZERS
- 15) OFFSET V-TAIL
- 16) OMNIDIRECTIONAL AIR SPEED INDICATOR
- 17) COUNTER-ROTATING TURBINE
- 18) M-34 GRENADE LAUNCHER
- 19) X-551 60MM MINI-CANNON
- 20) RESCUE HOOK / WINCH

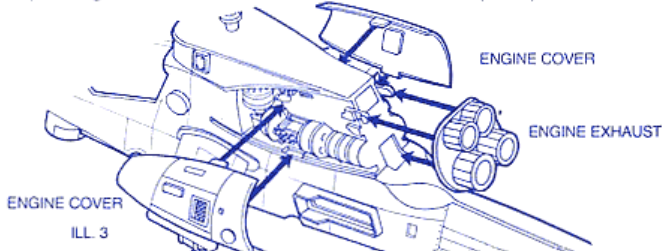


## ASSAULT COPTER: DRAGONFLY XH-1 INSTRUCTIONS

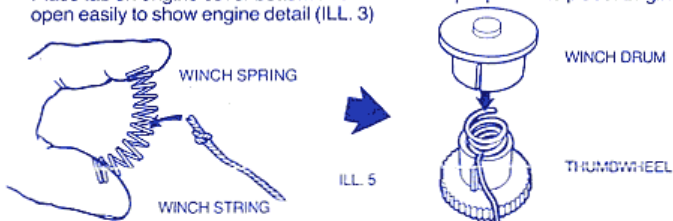
Remove pieces from their runners. Use safety (round-ended) scissors to cut pieces from runners, if necessary.



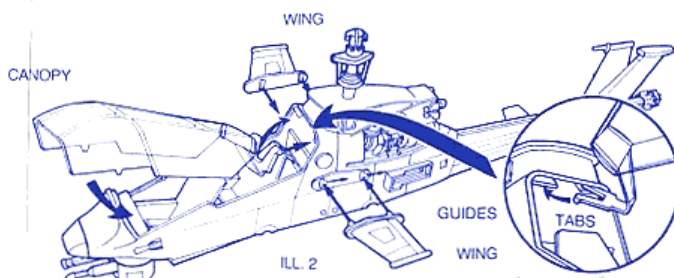
- 1 Snap nose turret into bottom of copter with guns pointed forward. Snap nose cone onto front of copter. Place seats into copter by pushing the front seat in first and then pressing the back seat until tab snaps under the wall. (ILL. 1)



- 3 Place tab on engine exhaust bottom into slot in fuselage and snap two tabs into place. Place tab on engine cover bottom into slot and snap top tab into place. Engine covers open easily to show engine detail (ILL. 3)

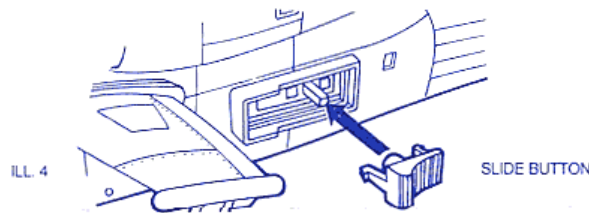


- 5 Make a knot at the end of winch string. Bend the spring until the coils in the middle separate. Insert the knot between the coils so it is trapped inside of the spring. Place spring inside the thumbwheel with the string through the slot. Place the winch drum over the thumbwheel aligning its slot over the string. (ILL. 5)

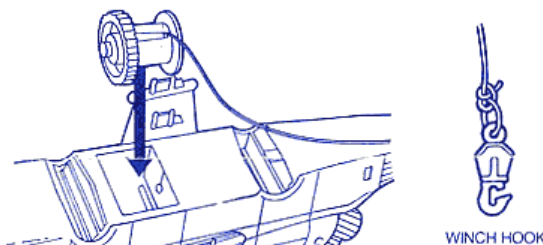


- 2 Place a canopy tab into one of the guides located under copter roof. Push the other tab into the opposite guide. Push tabs back until they snap into place. Gently squeeze canopy in front to snap it down.

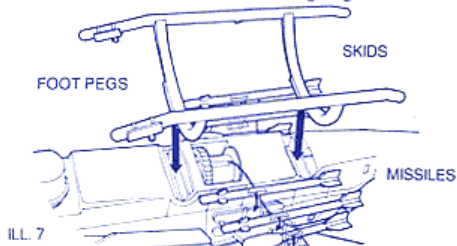
Fit tabs on wings into holes on sides of copter. Slide wings back. (ILL. 2)



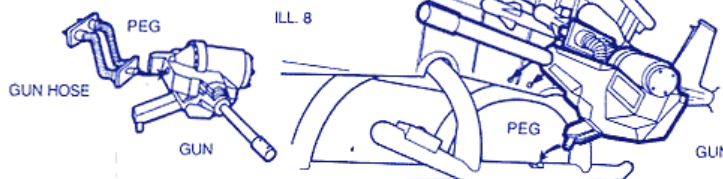
- 4 Snap slide button into the holes on the side of copter. Slide the button back and forth to spin the rotor. (ILL. 4)



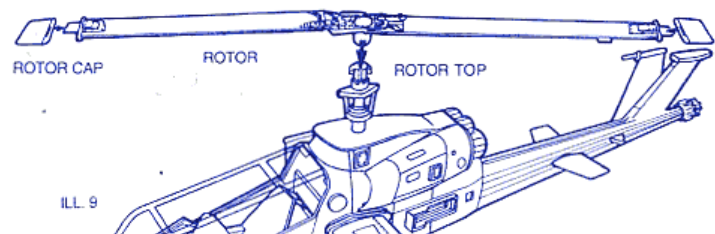
- 6 Squeeze the winch assembly and place it into the large opening on bottom of copter. Press until it snaps into place. Knot the string through winch hook. You can raise and lower the winch hook by turning the thumbwheel. (ILL. 6)



- 7 Fit tabs on skids into two slots in bottom of copter with foot pegs facing front. Fit the slots on missiles over the tabs on wings. They remove for pretend launches. (ILL. 7)



- 8 Put peg of gun hose into the gun. Fit other two pegs of gun hose into holes in side of copter. Place peg on the bottom of gun into hole in skid. (ILL. 8)



- 9 Snap rotor onto rotor top. Fit rotor caps onto ends of rotor. (ILL. 9)

Peel labels from label sheet and apply as shown.



- 10 Bend Wild Bill's legs and seat him in the copter (ILL. 10). Seat another G.I. Joe figure in the other seat. Now you're ready to go!

