

GIJOE

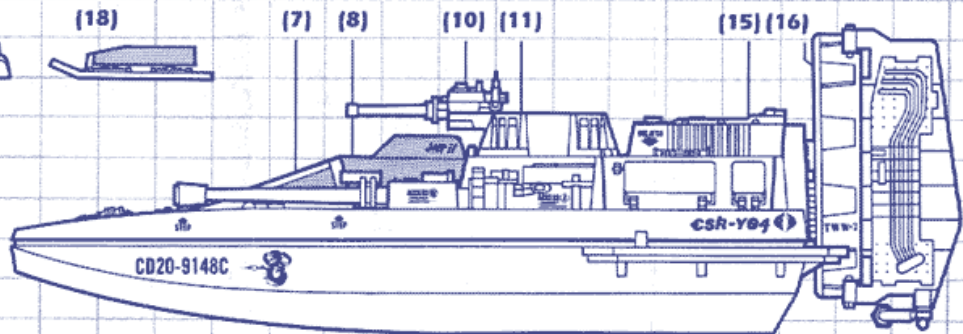
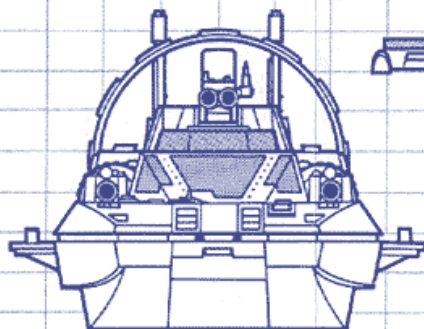
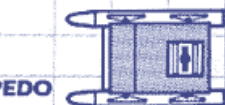
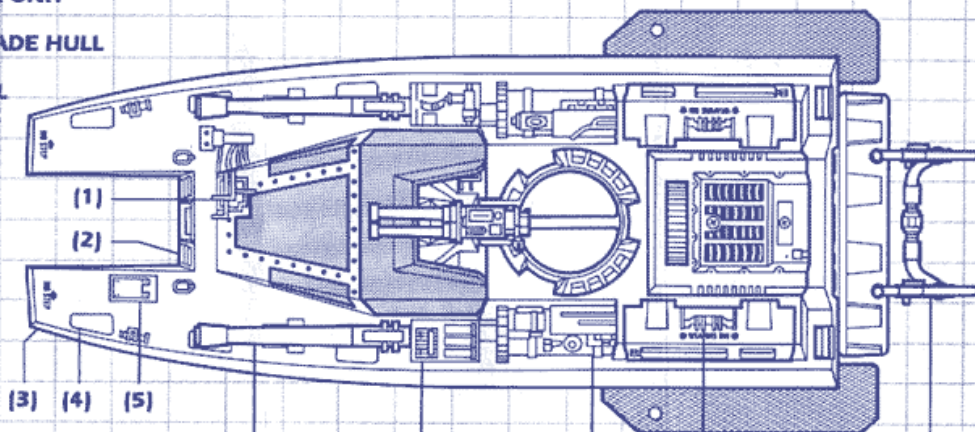
COBRA WATER MOCCASIN

- 1) ENVIRONMENTAL SENSOR WEB/MONITOR UNIT
- 2) COCKPIT MAIN AIR INTAKES
- 3) BORON-EPOXY COMPOSITE MILITARY-GRADE HULL
- 4) BOARDING PADS
- 5) COMPUTER MAINTENANCE ACCESS PANEL
- 6) 44MM LATERAL "DESTRUCTOR" CANNONS
- 7) ANTI-GLARE SHELLPROOF WINDSHIELD
- 8) ANTI-GLARE TARGA ROOF PANEL
- 9) MAIN CANNON AUTO-LOAD MECHANISM
- 10) 20MM DES-20B TWIN MACHINE GUNS
- 11) ELECTRICALLY DRIVEN GUNNER'S TURRET
- 12) MAIN CANNON SYNCHRONIZER/COOLER HOUSINGS
- 13) EXTERIOR CREW DECKS
- 14) ELECTRO-MAGNETIC STORAGE LID LOCKS
- 15) TWIN SUPERCHARGED DESTRO V-12

ENGINE:

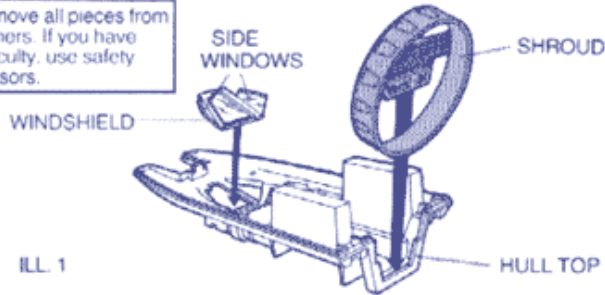
580 HORSEPOWER
9250 RPM REDLINE

- 16) HIGH-PITCH HIGH-SPEED GLASSFIBER FAN
- 17) TITANIUM DIRECTIONAL VANES
- 18) REMOTE GUIDED "GATOR" SURFACE TORPEDO



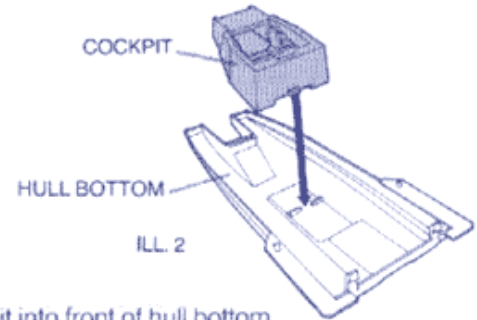
COBRA WATER MOCCASIN INSTRUCTIONS

Remove all pieces from runners. If you have difficulty, use safety scissors.



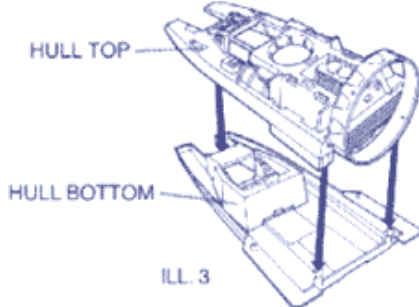
ILL. 1

- 1 Turn hull top over. Snap windshield into hull. Press side windows outward into place. Place shroud into hull top. (ILL. 1)



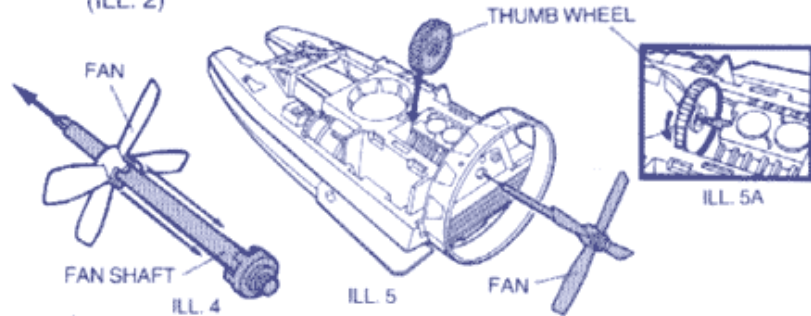
ILL. 2

- 2 Place cockpit into front of hull bottom. (ILL. 2)



ILL. 3

- 3 Snap hull top to hull bottom. (ILL. 3)

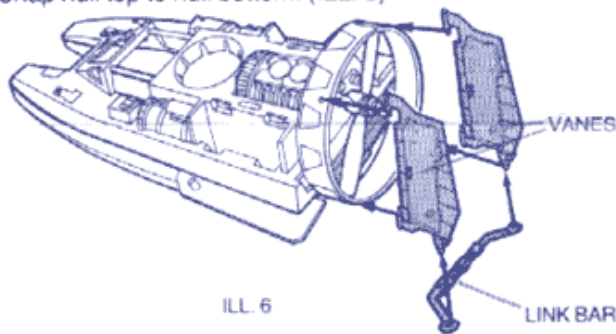


ILL. 4

ILL. 5

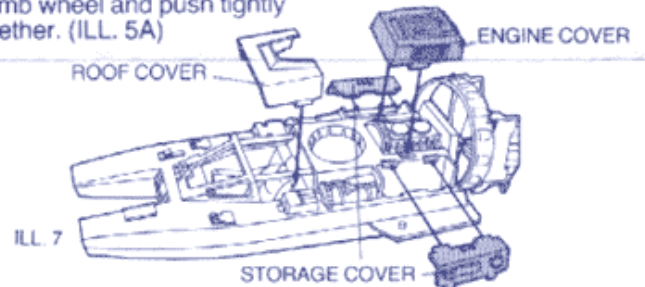
ILL. 5A

- 4 Insert fan shaft into fan, line up and snap closed. (ILL. 4) Drop thumb wheel into hull top. Fit fan shaft through hole in shroud and into the hole in hull top. (ILL. 5) Line up shaft with slot in thumb wheel and push tightly together. (ILL. 5A)



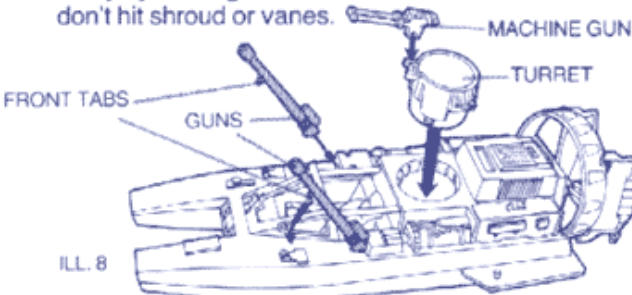
ILL. 6

- 5 Fit posts on vanes into holes on shroud. Fit holes in link bar onto post on bottom vanes. (ILL. 6) NOTE: If the fan doesn't spin freely by rotating the thumb wheel, bend the fan blades so they don't hit shroud or vanes.



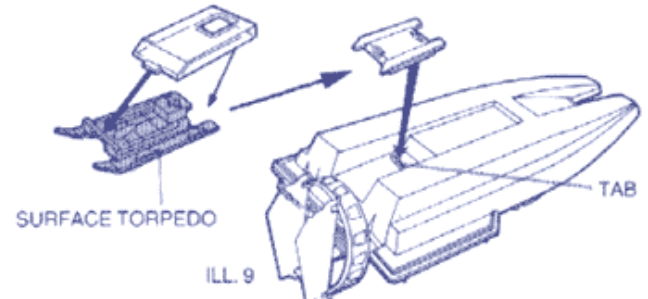
ILL. 7

- 6 Place engine cover over engine. Fit storage covers into slots. Snap roof cover into place. (ILL. 7)



ILL. 8

- 7 Snap machine gun onto turret. Push turret down into hole on hull top until it snaps. Fit rear tabs on guns into holes in hull top and snap front tabs into place. (ILL. 8)



ILL. 9

- 8 Snap two pieces of surface torpedo together. Fit onto tab on bottom hull. (ILL. 9)

- 9 Peel labels off and apply as shown.

