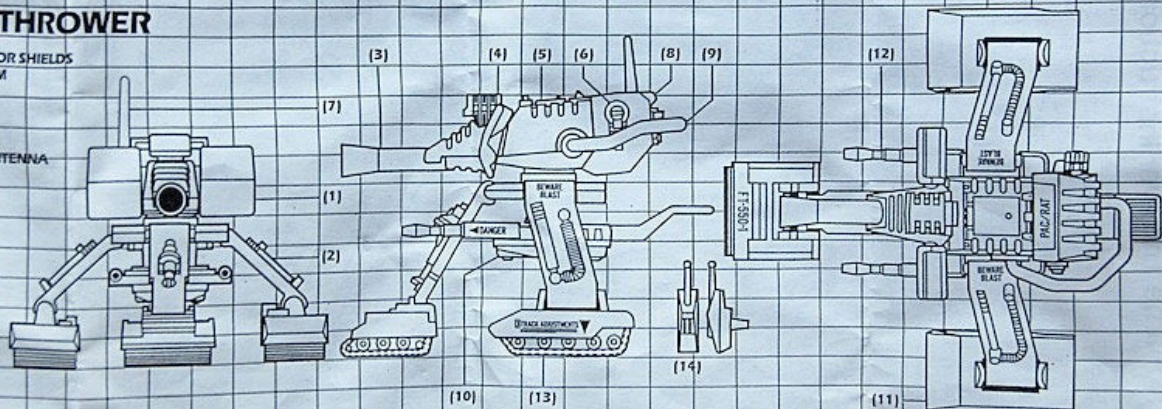


# GI JOE

A REAL AMERICAN HERO™

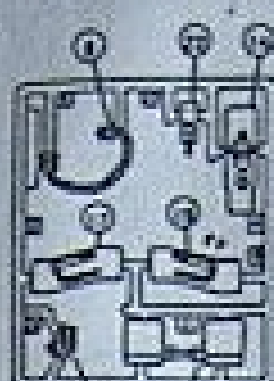
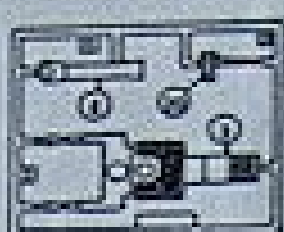
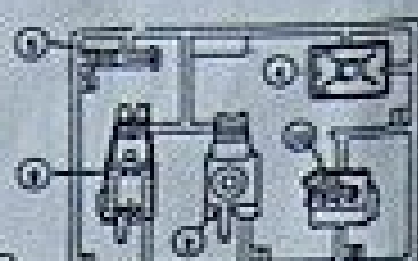
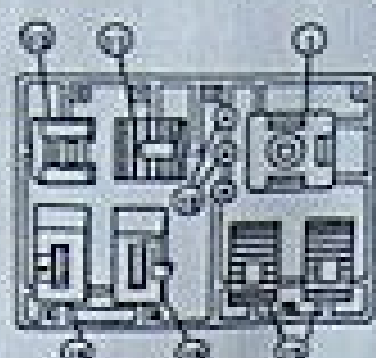
## PAC/RAT FLAMETHROWER

- 1) REMOTE ADJUSTABLE DEFLECTOR SHIELDS
- 2) HYDRAULIC SUSPENSION SYSTEM
- 3) FLAMETHROWER NOZZLE
- 4) HALOGEN SPOTLIGHT
- 5) ELECTRONICS ACCESS PANEL
- 6) TEMPERATURE SENSOR
- 7) EXTERNAL RADIO RECEIVER ANTENNA
- 8) HEAT SINKS
- 9) MAIN WIRING HARNESS
- 10) OIL SUMP
- 11) TRACK SHIELDS
- 12) TWIN 35MM MACHINE GUNS
- 13) ALL TERRAIN TRACKS
- 14) REMOTE CONTROL ACTIVATOR



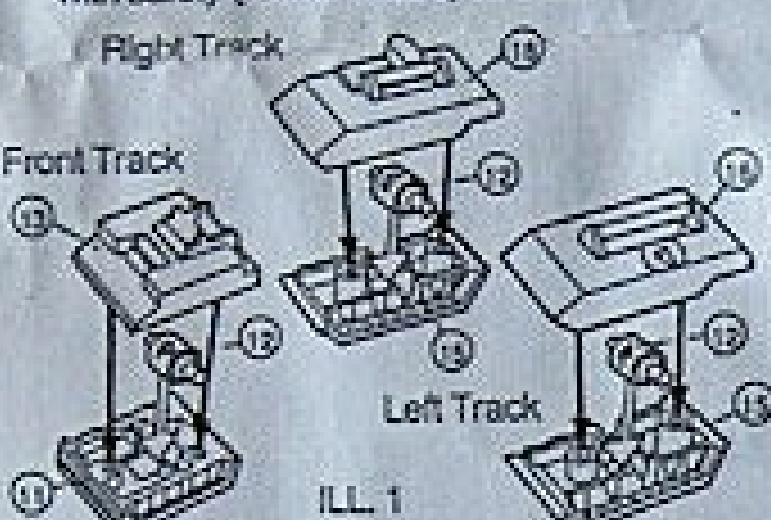
## PAC/RAT Flame Thrower Instructions

PARENTAL  
GUIDANCE  
SUGGESTED

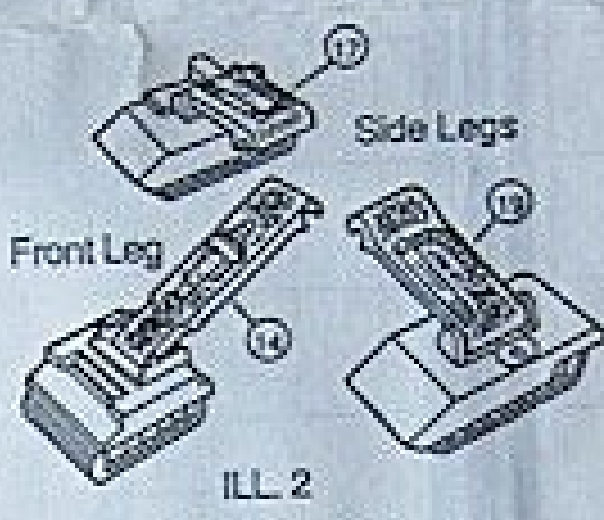


- ① Chassis
- ② Bottom Turret
- ③ Twin Guns
- ④ Bottom Plate
- ⑤ Pin
- ⑥ Flame Thrower
- ⑦ Shields
- ⑧ Hose
- ⑨ Top Turret
- ⑩ Turret Rear
- ⑪ Front Track Bottom
- ⑫ Wheels
- ⑬ Front Track Top
- ⑭ Front Leg
- ⑮ Side Track Bottom
- ⑯ Left Track Top
- ⑰ Right Leg
- ⑱ Right Track Top
- ⑲ Left Leg
- ⑳ Antenna
- ㉑ Spotlight
- ㉒ Remote Control Activator

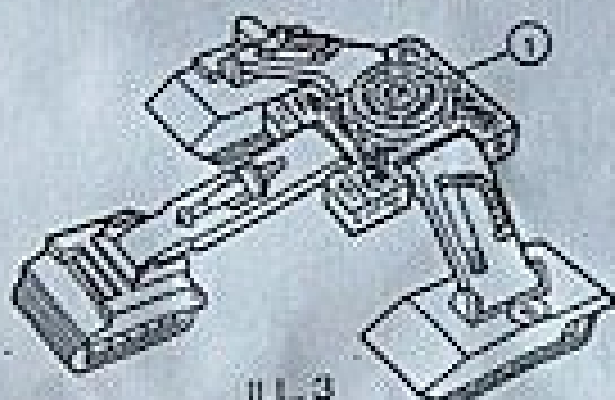
1 Carefully remove all parts from runners. Remove all excess plastic with safety (round-ended) scissors.



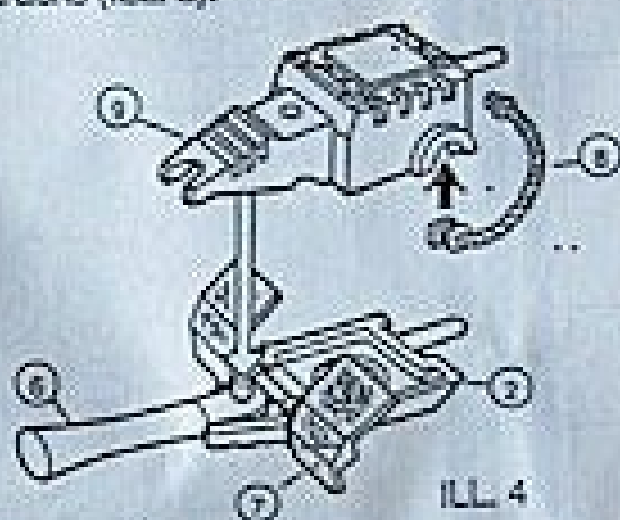
2 Drop wheels (12) into track bottoms (11) & (13). Cover with track tops (13), (16) & (18) (with detail on outside of piece). (ILL. 1)



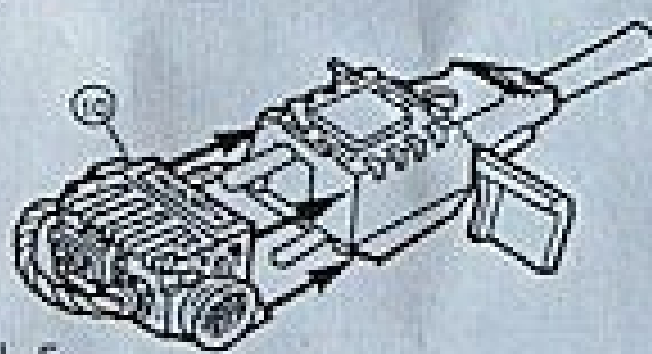
3 Snap legs (14), (17) & (19) onto tracks (ILL. 2).



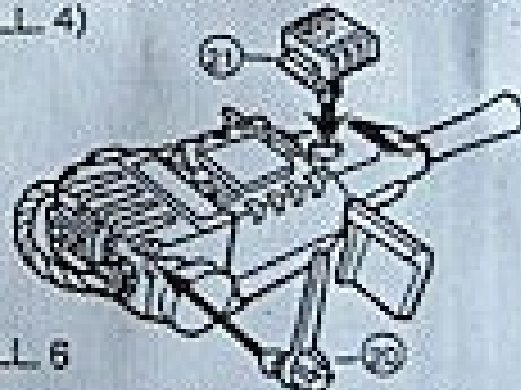
4 Snap legs onto chassis (1) (ILL. 3).



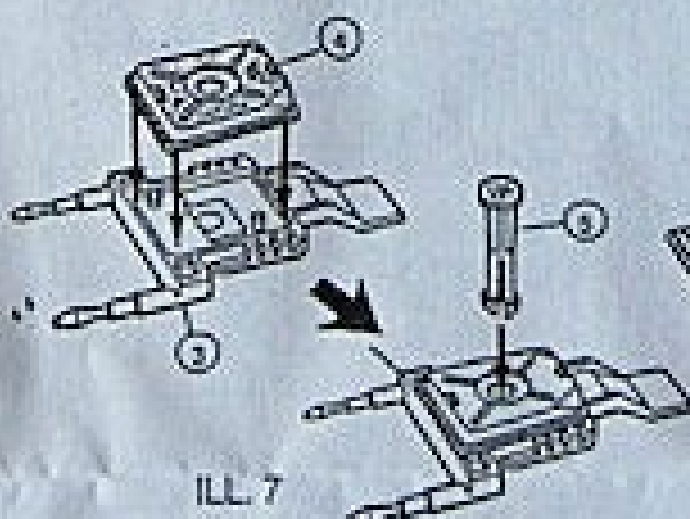
5 Fit Flame Thrower (6) and shields (7) in bottom turret (2). Fit hose (8) into hole on side of top turret (9). Push top and bottom turret together. (ILL. 4)



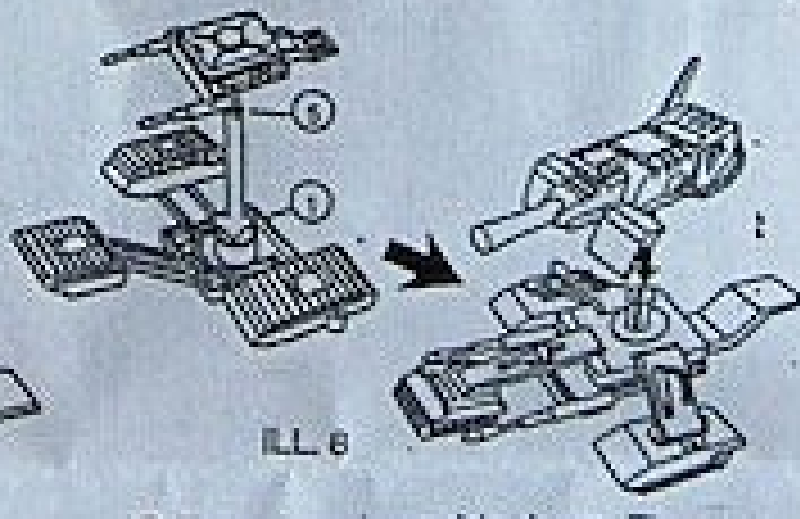
6 Push turret rear (10) onto turret assembly. Fit hose in hole. (ILL. 5)



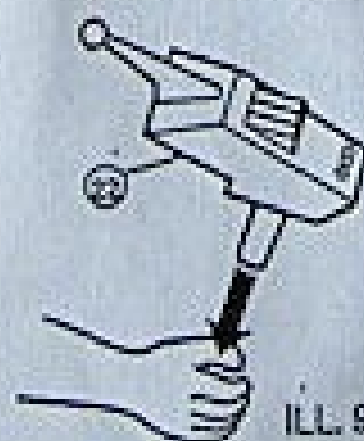
7 Push spotlight (21) into top turret. Push antenna (20) into side of turret. (ILL. 6)



8 Fit bottom plate (4) to twin (3) guns. Push pin (5) through hole. (ILL. 7)



9 Turn chassis upside down. Fit pin (5) through hole in chassis (1). Turn chassis right side up. Place turret over pin. (ILL. 8)



10 Remote control activator (22) fits into G.I. Joe's hand (ILL. 9). (Figure sold separately.) Carefully peel labels from sheet and apply as shown.

