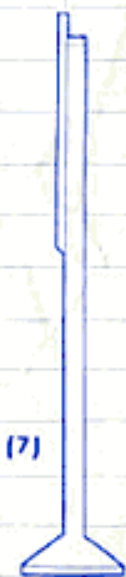
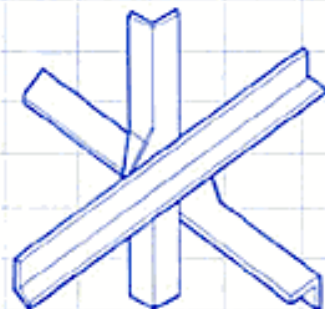
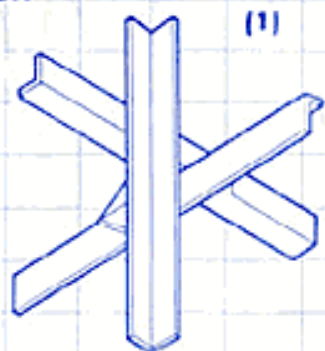
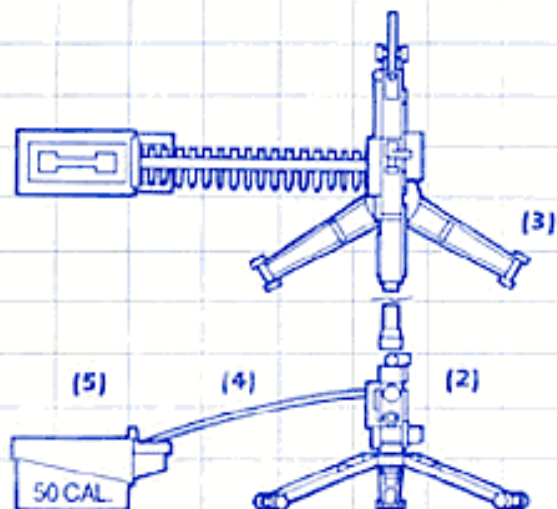
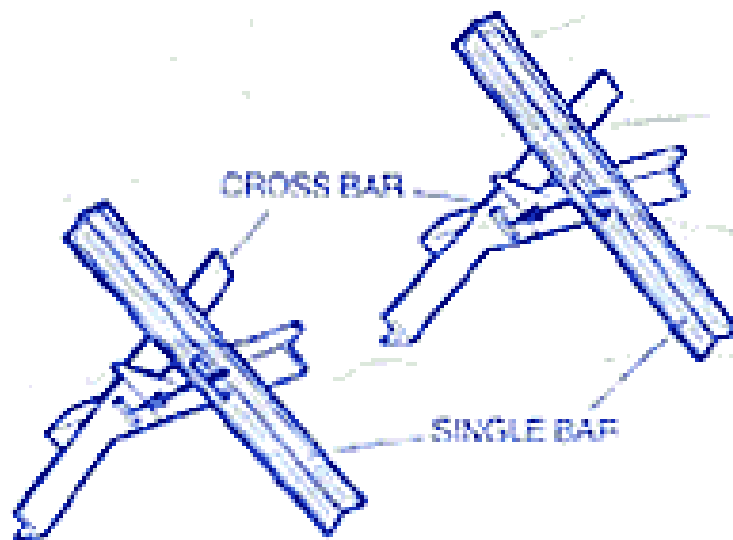


MACHINE GUN DEFENSE UNIT

- 1) TRIPOD BARRICADES
- 2) 750 RPM EX-344 UNIVERSAL MACHINE GUN
- 3) EX-344 TRIPOD BASE UNIT
- 4) 50 CALIBER AMMUNITION BELT
- 5) AMMUNITION BOX
- 6) FIGURE POSING STANDS
- 7) WARNING RESTRICTION SIGN

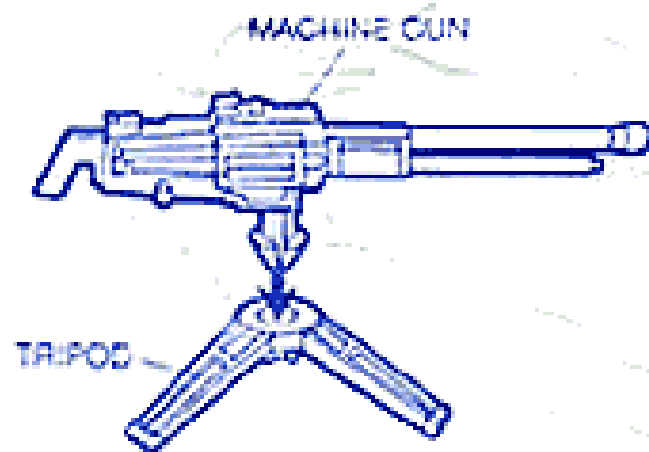


MACHINE GUN DEFENSE UNIT



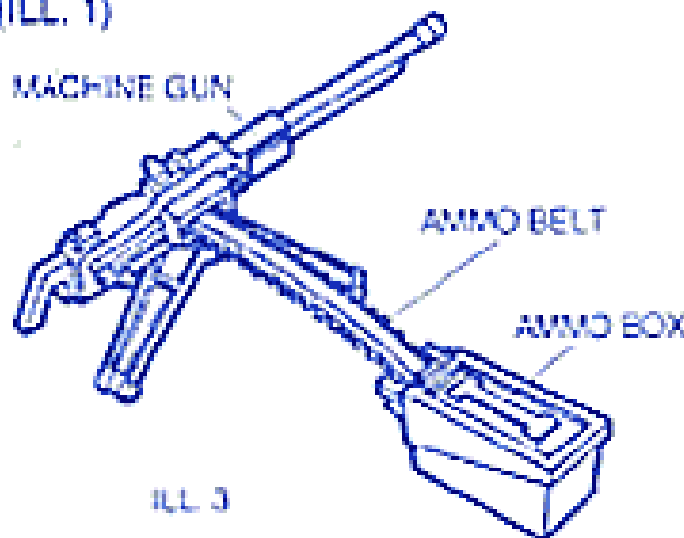
ILL. 1

1 Press the slot on the single bar over the tab on the cross bar to form the barricade as shown. Repeat for other barricade. (ILL. 1)



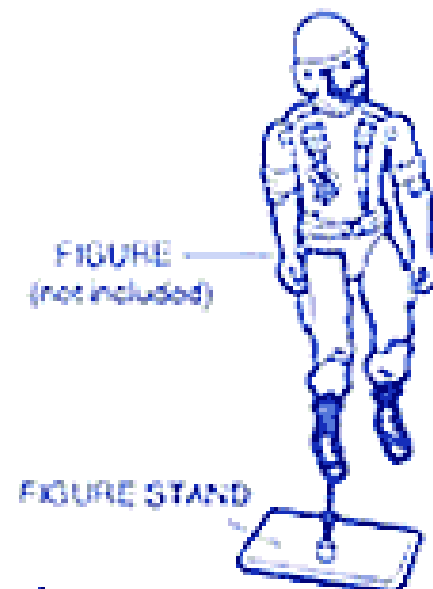
ILL. 2

2 Snap post from machine gun into hole in center of tripod as shown. (ILL. 2)



ILL. 3

3 Put one end of ammo belt into machine gun and place other end on top of ammo box. (ILL. 3)



ILL. 4

4 Figure may be posed on figure stands. (ILL. 4)

5 Peel off labels and apply as shown

