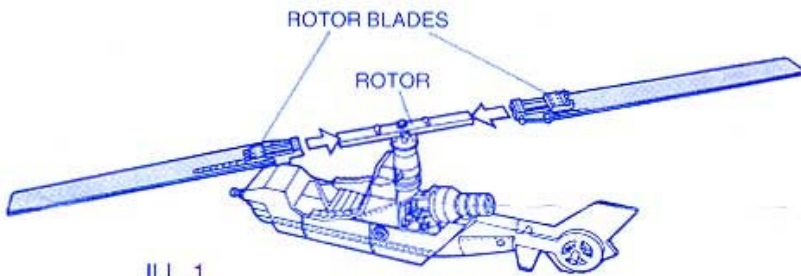
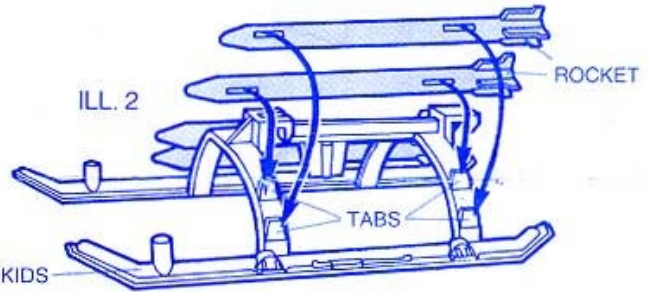


F.A.N.G. (FULLY-ARMED NEGATOR GYROCOPTER) INSTRUCTIONS



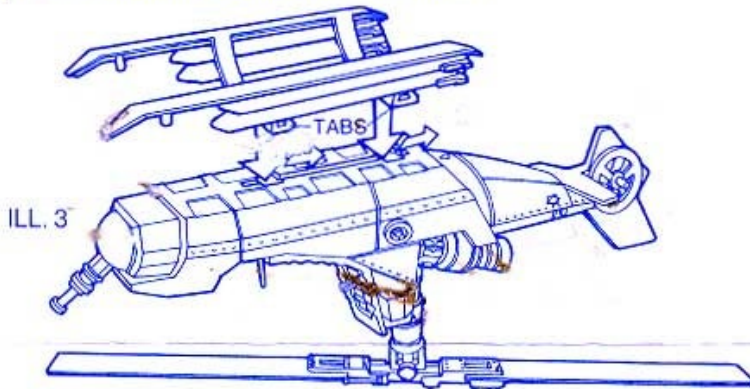
ILL. 1

- 1** Fit and snap rotor blades onto rotor (ILL. 1).



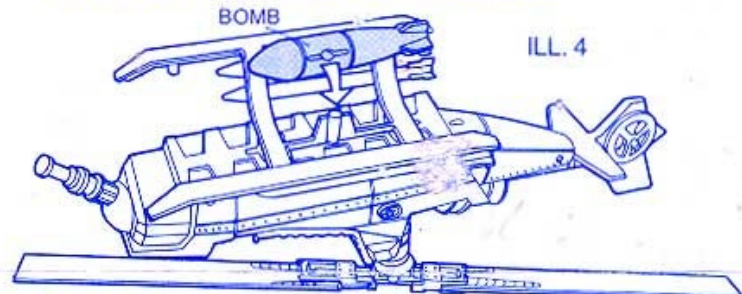
ILL. 2

- 2** Remove the four rockets from the runner. Force the two holes of a rocket over two of the tabs on the skid. (ILL. 2)
Repeat to place all four rockets onto the skid (two on each side). The rockets are removable for launches.



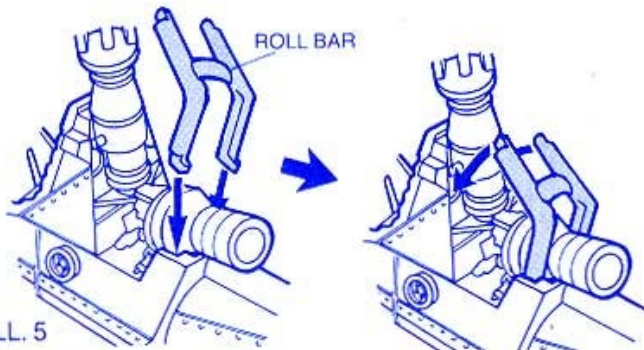
ILL. 3

- 3** Fit tabs on the skids into holes in chassis bottom. Slide skids down and back until they snap into place. (ILL. 3)



ILL. 4

- 4** Fit the hole in the bomb into the tab on skid bottom. (ILL. 4)

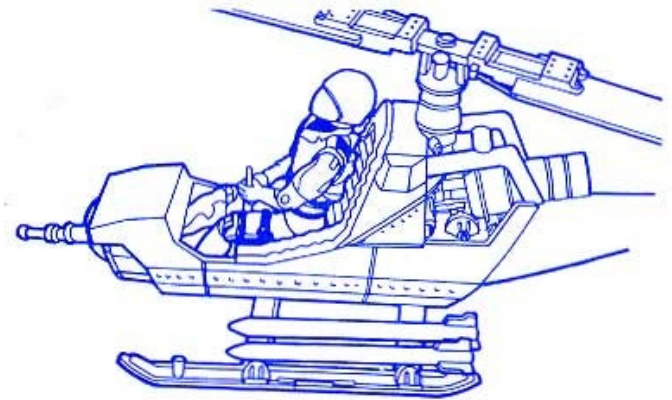


ILL. 5

- 5** Fit roll bar into slots on main body and into slots behind seat. (ILL. 5)

- 6** Spin the main rotor and the tail rotor with your fingers. You can swivel the cannon in front of the F.A.N.G., too.

Carefully peel labels from label sheet and apply as shown.



HOW TO PLACE YOUR COBRA FIGURE INTO THE F.A.N.G. SEAT

(Figure sold separately.)

Every COBRA Command (and G.I. Joe) figure can sit in the command seat. Fit the hole in your figure's back over the peg on the seat. Position his legs on either side of the joystick. Place his hand on the joystick. He's ready to go!

