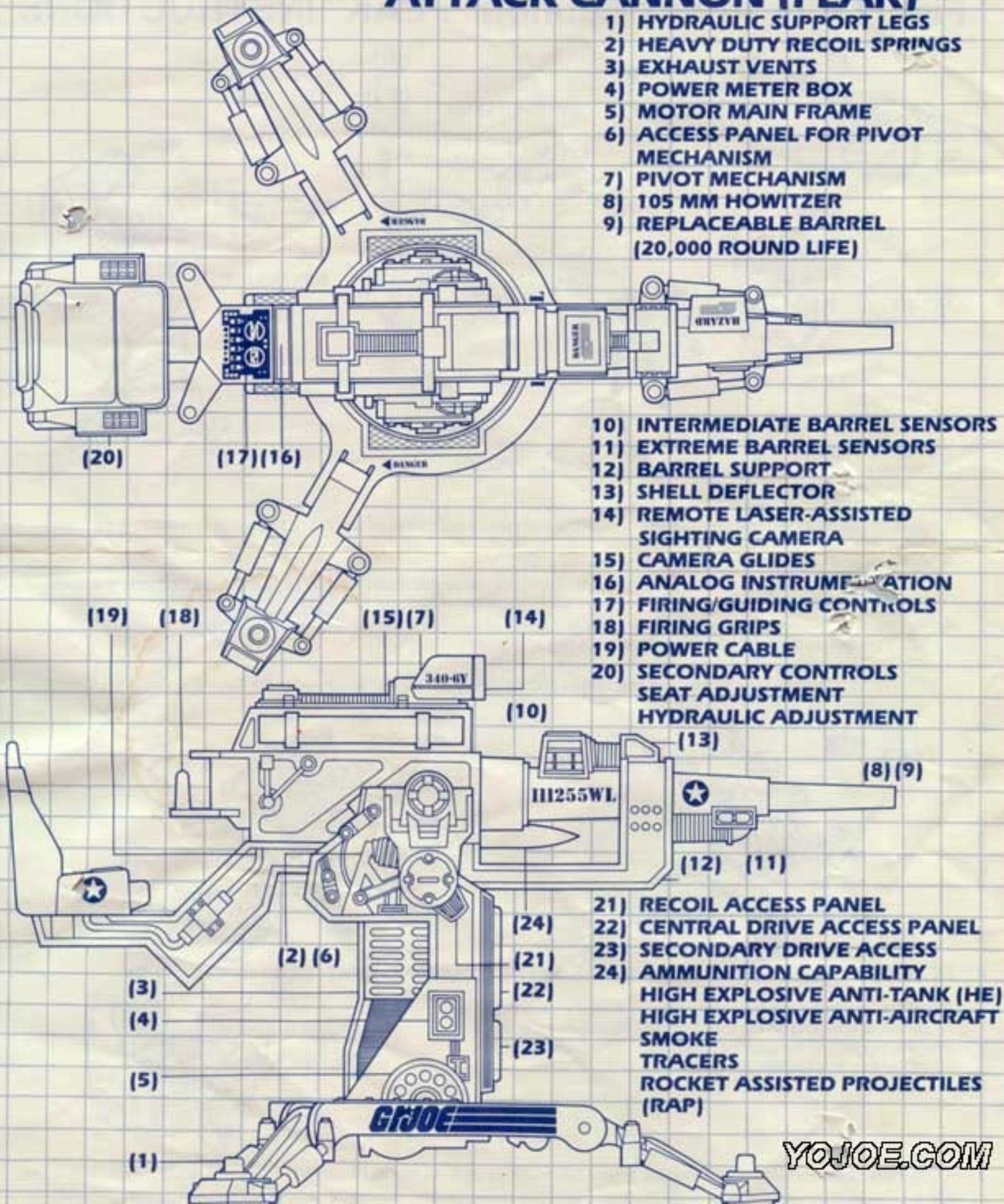


ATTACK CANNON (FLAK)

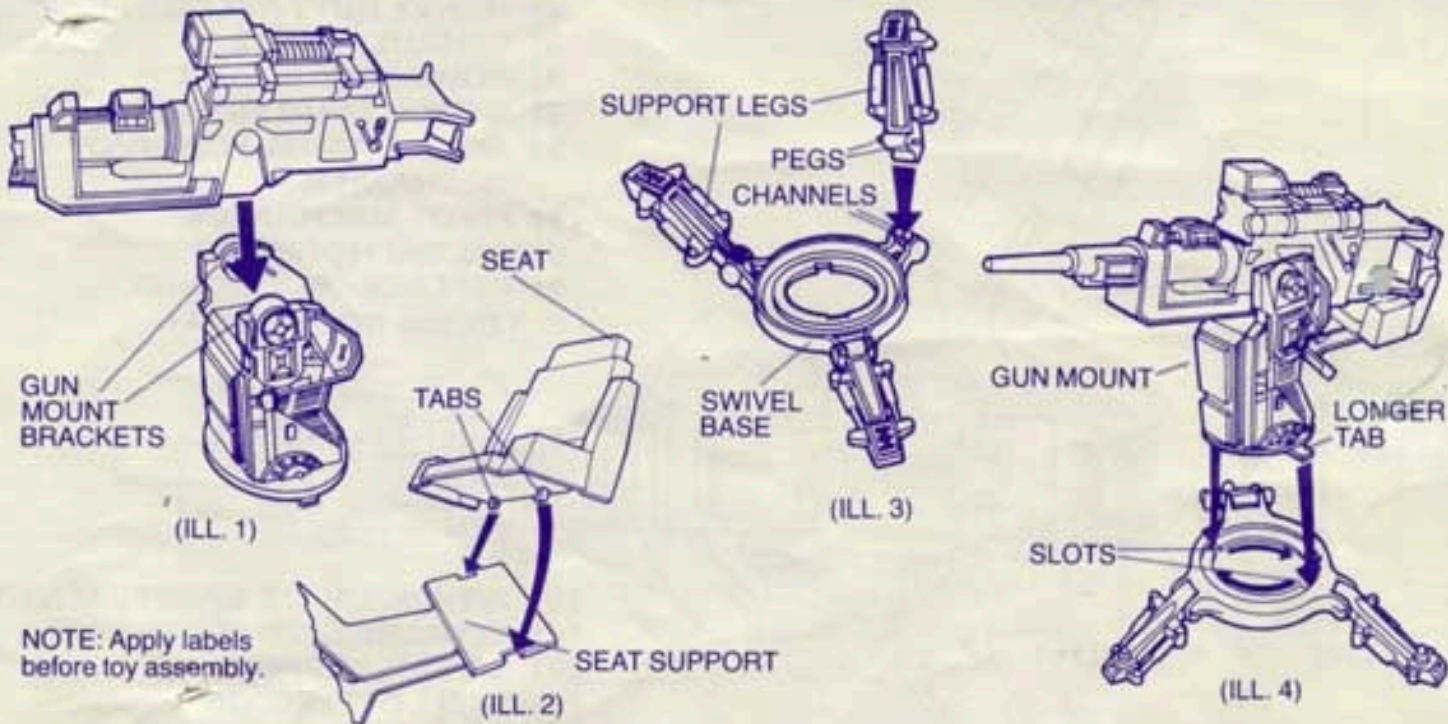


- 1) HYDRAULIC SUPPORT LEGS
- 2) HEAVY DUTY RECOIL SPRINGS
- 3) EXHAUST VENTS
- 4) POWER METER BOX
- 5) MOTOR MAIN FRAME
- 6) ACCESS PANEL FOR PIVOT MECHANISM
- 7) PIVOT MECHANISM
- 8) 105 MM HOWITZER
- 9) REPLACEABLE BARREL (20,000 ROUND LIFE)

- 10) INTERMEDIATE BARREL SENSORS
- 11) EXTREME BARREL SENSORS
- 12) BARREL SUPPORT
- 13) SHELL DEFLECTOR
- 14) REMOTE LASER-ASSISTED SIGHTING CAMERA
- 15) CAMERA GLIDES
- 16) ANALOG INSTRUMENTATION
- 17) FIRING/GUIDING CONTROLS
- 18) FIRING GRIPS
- 19) POWER CABLE
- 20) SECONDARY CONTROLS SEAT ADJUSTMENT HYDRAULIC ADJUSTMENT

- 21) RECOIL ACCESS PANEL
- 22) CENTRAL DRIVE ACCESS PANEL
- 23) SECONDARY DRIVE ACCESS
- 24) AMMUNITION CAPABILITY
- HIGH EXPLOSIVE ANTI-TANK (HE)
- HIGH EXPLOSIVE ANTI-AIRCRAFT
- SMOKE
- TRACERS
- ROCKET ASSISTED PROJECTILES (RAP)

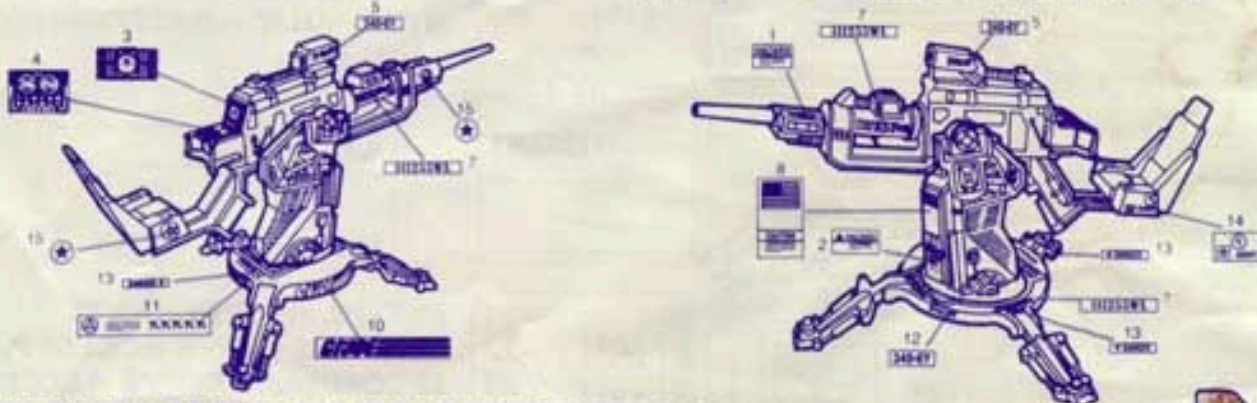
Field Light Attack Cannon "FLAK" INSTRUCTIONS



NOTE: Apply labels before toy assembly.

1. Slide attack cannon down between gun mount brackets until it snaps into place. (ILL. 1) You can move the cannon up and down.
2. Press tabs of seat onto seat support as shown. (ILL. 2)
3. To attach the support legs to the swivel base, turn swivel base upside down. Line up pegs of the support legs and slide them down into the channels of the swivel base until they fit into place. (ILL. 3)
4. To attach the gun mount, first insert longer tab of gun mount into slot in the swivel base. Now drop other tab into opposite slot. Turn swivel base slightly to hold cannon in place. (ILL. 4)

Carefully peel labels from label sheet and apply to your "FLAK" as shown in the illustrations.



HOW TO PLACE THE G.I. JOE® FIGURE IN THE COMMAND SEAT

Every G.I. Joe figure can fit in the command seat. Position G.I. Joe so each foot is resting on the foot brackets. Now, place his hands over the triggers on the attack cannon. G.I. Joe will look like he is up off the seat in a realistic firing pose.



YOJOE.COM