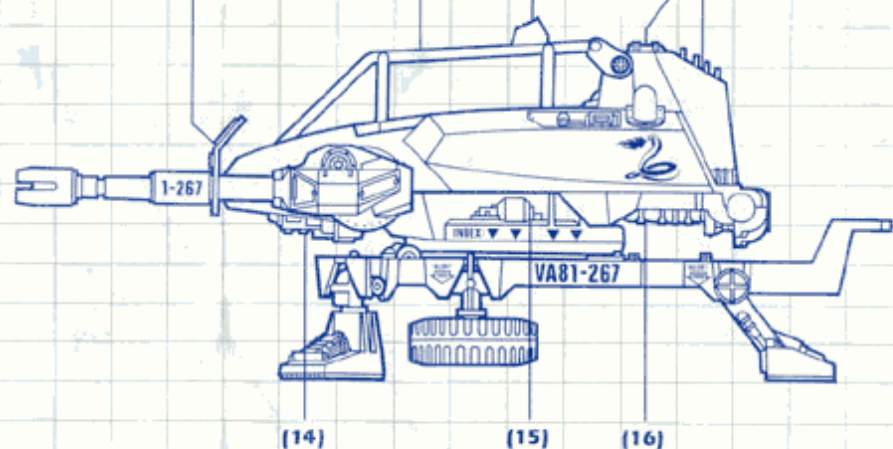
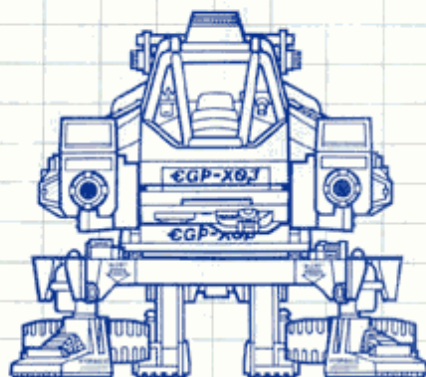
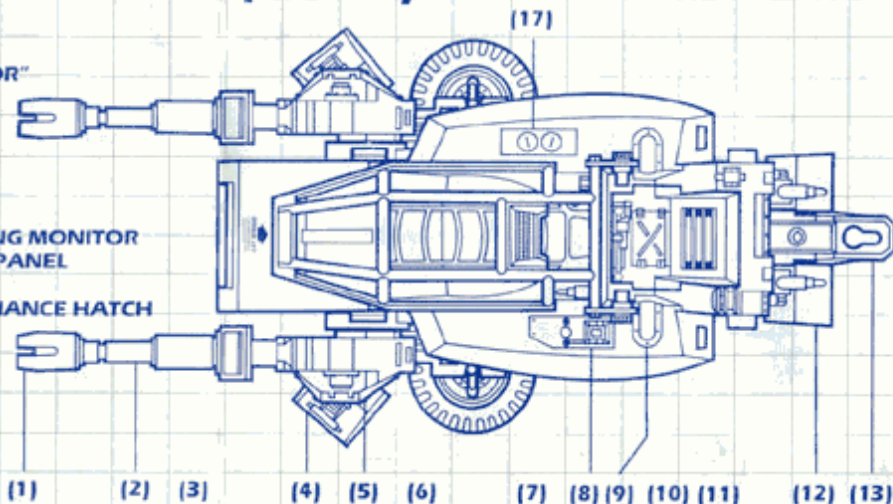


GR*JOE

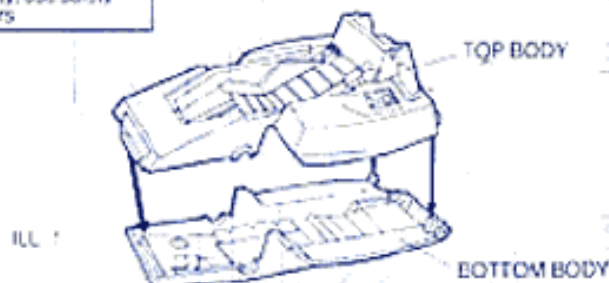
COBRA ASSAULT SYSTEM POD (A.S.P.)

- 1) CANNON FLAME ARRESTORS
- 2) DUAL SYNCHRONIZED 120MM "ELIMINATOR" CANNONS
- 3) SHELL-PROOF DEFLECTOR SHIELDS
- 4) RETRACTABLE REAR STABILIZER PADS
- 5) AUTO-LOAD BALLISTICS STORAGE COMPARTMENTS
- 6) PROTECTIVE ROLLAGE
- 7) FORWARD-LOOKING INFRARED TARGETING MONITOR
- 8) CANNON SYNCHRONIZER CONTROL UNIT PANEL
- 9) ARMORED FUEL DELIVERY PIPES
- 10) ROLLAGE RAISING MECHANISM MAINTENANCE HATCH
- 11) PRIMARY GENERATOR VENTS/RADIATOR
- 12) RETRACTABLE FRONT STABILIZER PADS
- 13) TOW HOOK
- 14) POD RAISING MECHANISM
- 15) POD ROTATION SERVO-SYSTEMS
- 16) INSULATED CANNON COOLANT DELIVERY TUBES
- 17) TWIN FUEL FILLERS

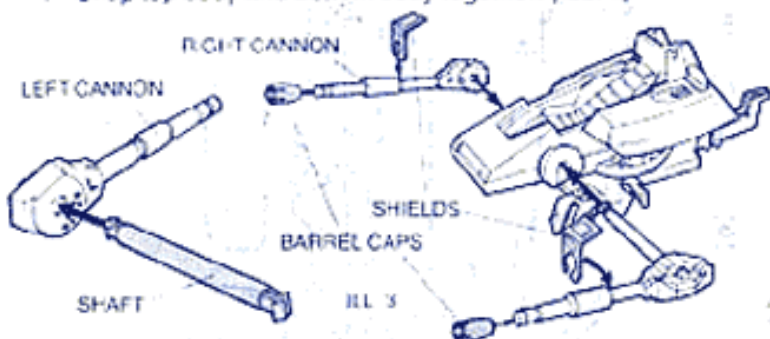


Remove all pieces from runners. If you have difficulty, use safety scissors.

COBRA A.S.P. INSTRUCTIONS



- 1 Snap top body and bottom body together. (ILL. 1)



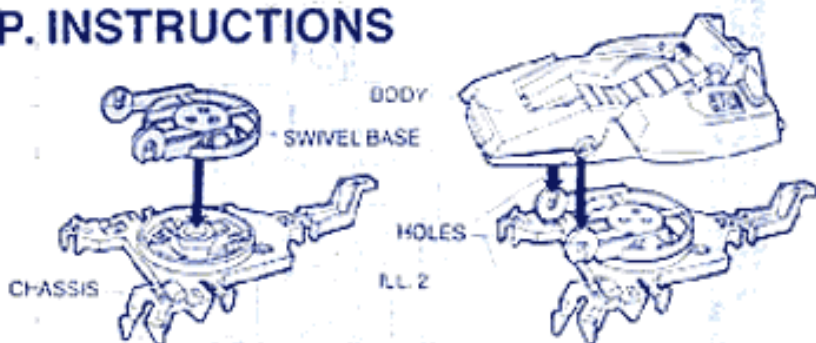
- 3 Snap left cannon onto end of shaft as shown. Fit shaft through holes in swivel base and body. Attach right cannon to end of shaft as shown. Clip shields and barrel caps onto cannons. (ILL. 3)



- 5 Turn body over. With ridges on knuckles facing out, snap wheel knuckles into middle mounts and rear stabilizer knuckles into rear mounts. Snap front stabilizer into front mount as shown. (ILL. 5)



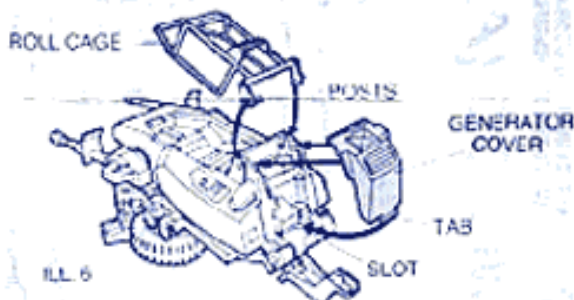
- 7 To insert figure, tilt A.S.P. body forward and lift roll cage. (Figure not included.) Figure's knees must be moved into seated position. Close roll cage and insert tab into slot. (ILL. 7)



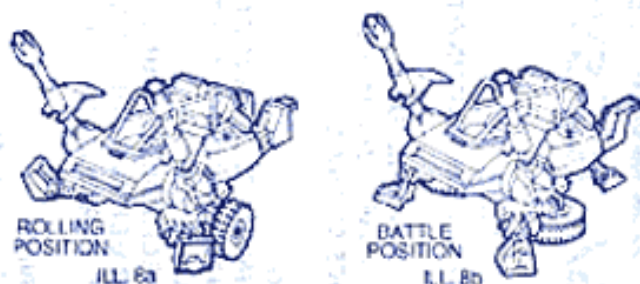
- 2 Snap swivel base onto chassis. Line up holes in swivel base with body. (ILL. 2)



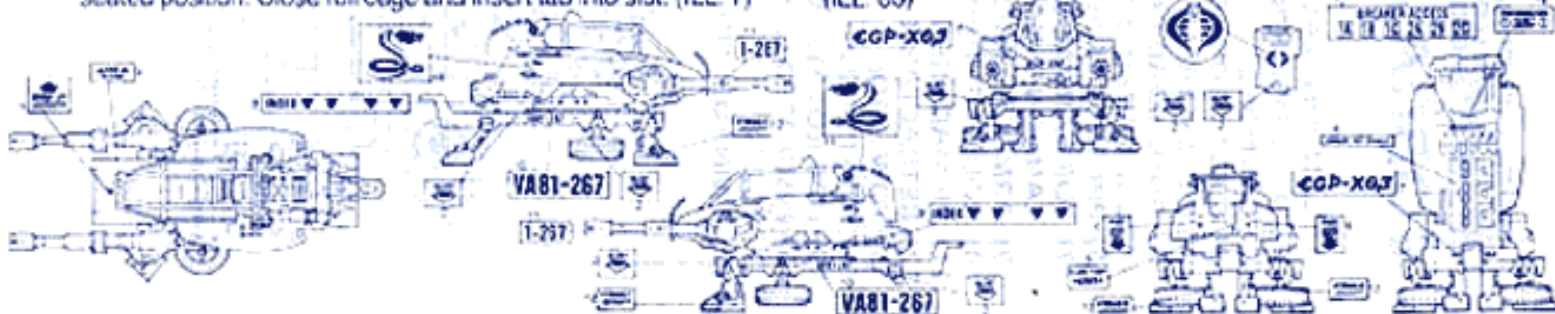
- 4 Snap wheels and rear stabilizers onto knuckles as shown. (ILL. 4)



- 6 Fit posts on roll cage into holes in body. Fit tab on generator cover into slot and close. (ILL. 6)



- 8 Flip stabilizers up and wheels out to roll the A.S.P. (ILL. 8a) Flip wheels under the chassis and stabilizers down for battle. (ILL. 8b)



- 9 Peel off labels and apply as shown.