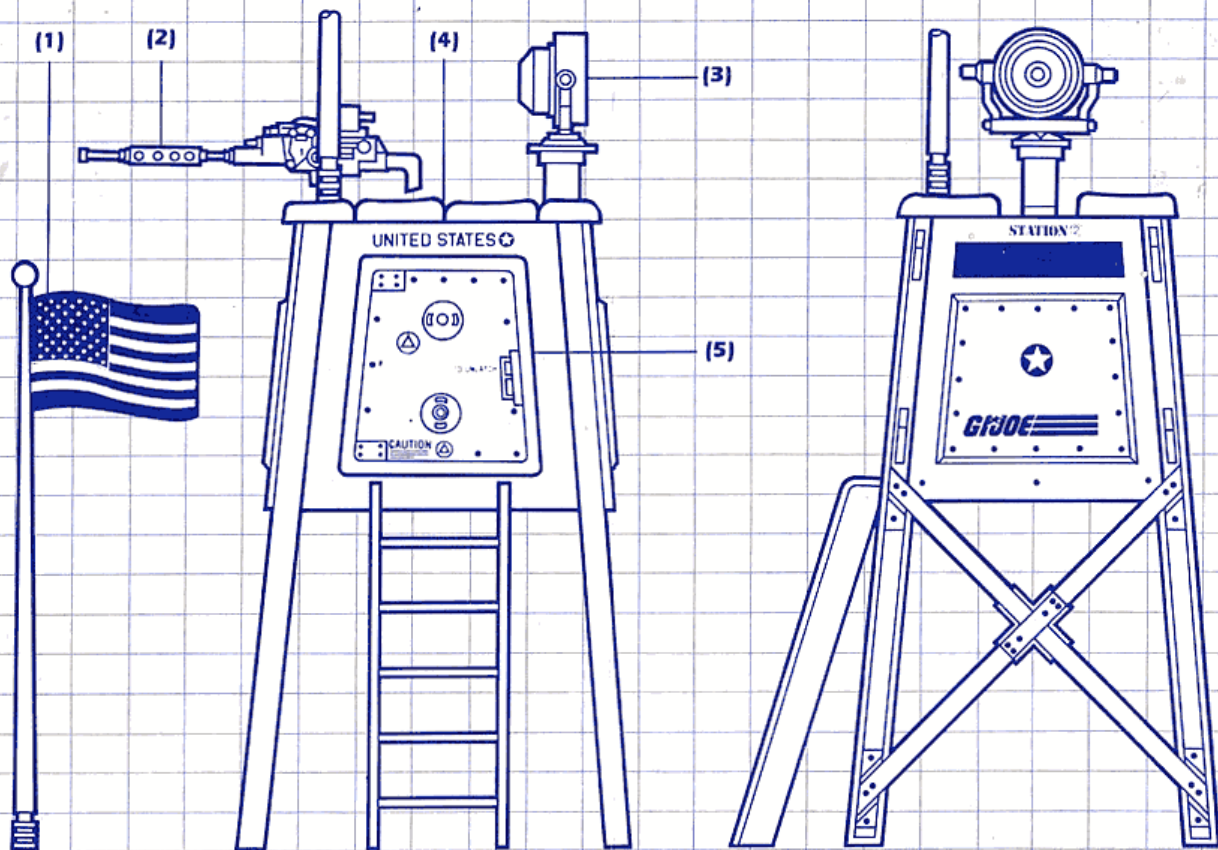
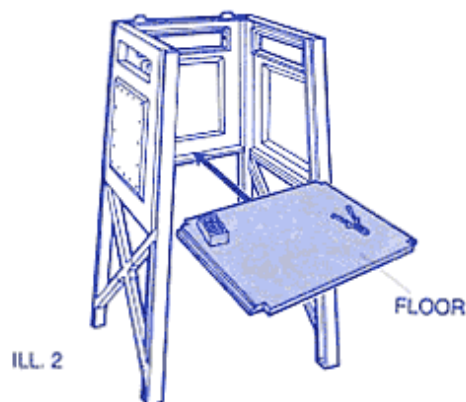
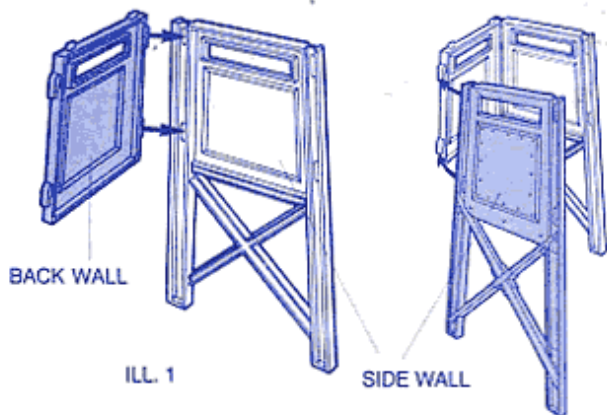


WATCH TOWER BATTLESTATION

- 1) FLAG POLE
- 2) 7.62MM GENERAL PURPOSE MINI-MACHINE GUN
- 3) TUNGSTEN SPOTLIGHT
- 4) SANDBAGS
- 5) HATCH DOOR

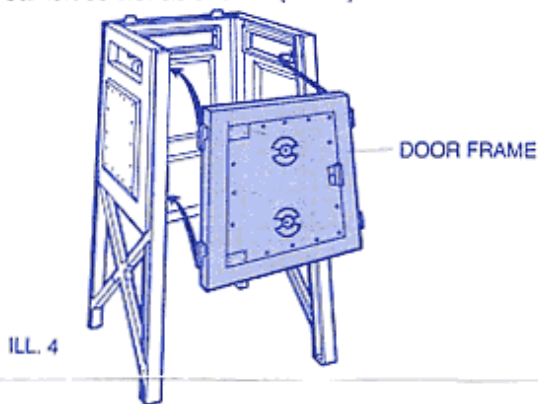
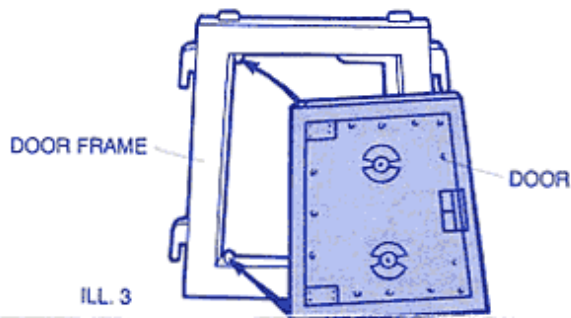


Watch Tower Instructions



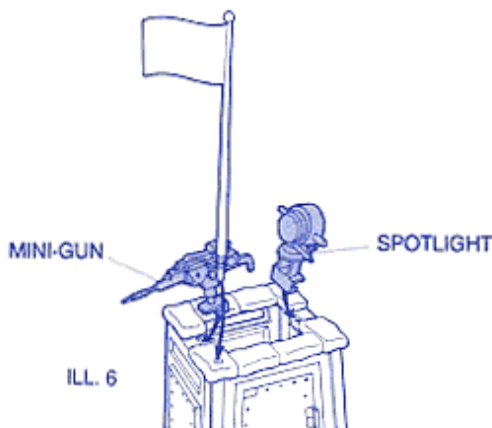
1 Fit the tabs on the back wall into the slots on one of the side walls as shown. (ILL. 1) Repeat with other wall. Rivets should face outward.

2 Slip floor into the guides in bottom of walls. Make sure the ammo box is in rear left corner as shown. (ILL. 2)



3 Fit hole in top of door over pin in top of door frame as shown. Fit hole in bottom of door over pin in bottom of door frame and snap into place. (ILL. 3)

4 Slip tabs of door frame into sides of walls as shown. (ILL. 4)



5 Fit notches on bottom of sand bags over tabs on top of walls as shown. (ILL. 5)

6 Fit flag into hole in sand bag. Clip and position mini-gun and spotlight onto walls as shown. (ILL. 6)

7 Fit top of ladder into holes under door as shown. (ILL. 7)

8 Peel labels off and apply as shown.

