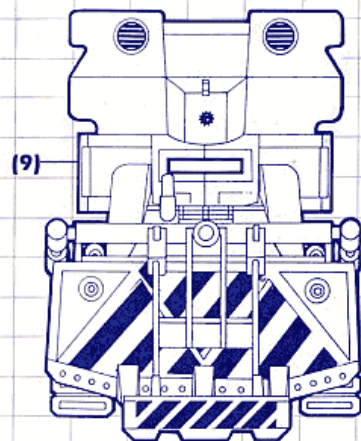
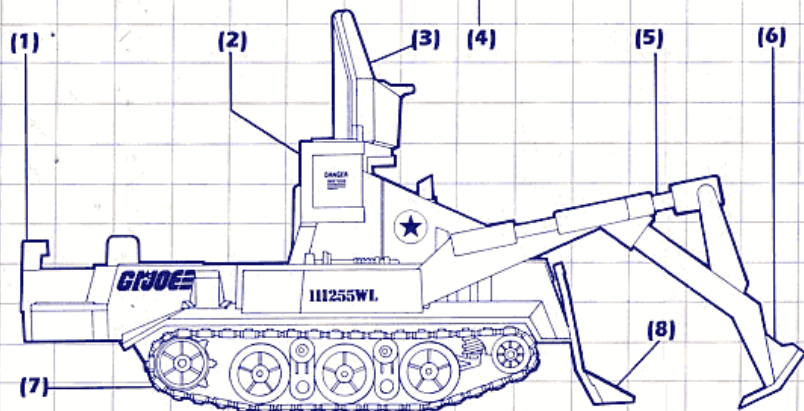
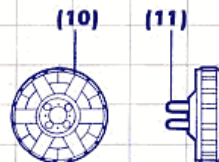
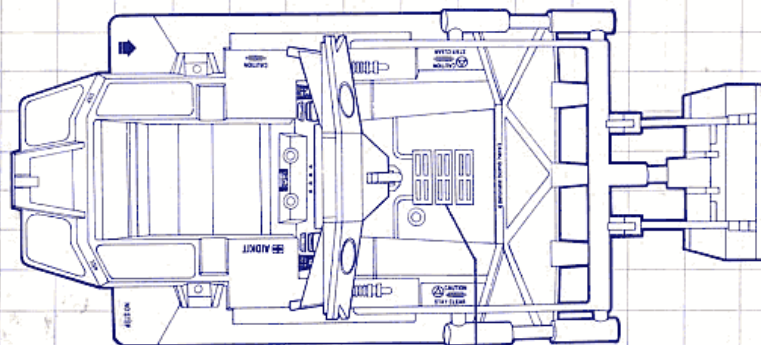
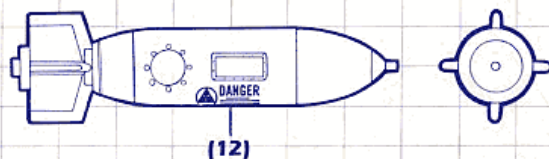


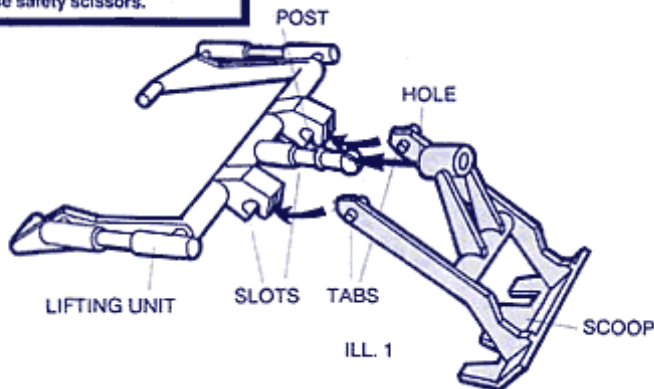
BOMB DISPOSAL VEHICLE

- 1) UNIVERSAL TOW HOOK
- 2) LATERAL OCCUPANT SHIELDS
- 3) SPACED-ARMOR HONEYCOMB DEFLECTOR SHIELD
- 4) SURFACE-MOUNTED ENGINE RADIATOR
- 5) HYDRAULIC CLAW ELEVATOR STRUT
- 6) TWIN-STRUT REMOTE-CONTROLLED MAIN CLAW
- 7) ALL-TERRAIN LIMITED-TRAVEL TRACK SYSTEM
- 8) SECONDARY BRACER CLAW/ENGINE ARMOR PLATE
- 9) VIEWPORT
- 10) HIGH-EXPLOSIVE PLASTIC ANTITANK MINE
- 11) PRESSURE-ACTIVATED 110 LB FUSE
- 12) CAST ALUMINUM 250 LB AP-K57 ARMOR PIERCING BOMB

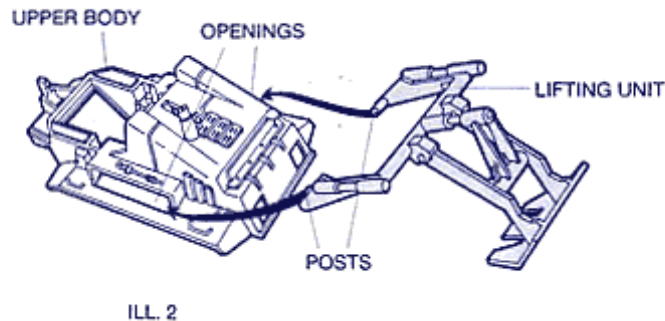


BOMB DISPOSAL INSTRUCTIONS

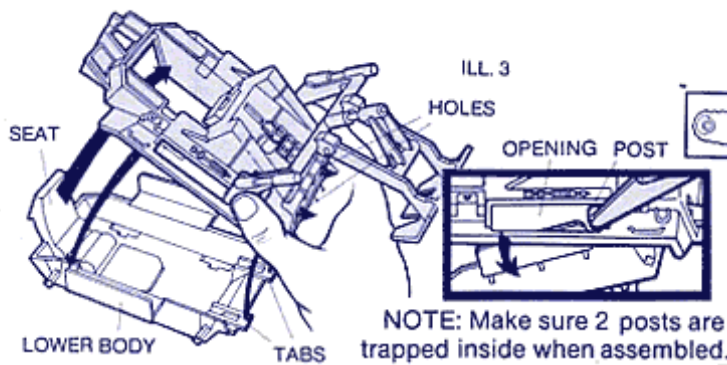
Remove all pieces from plastic frames. If you have difficulty, use safety scissors.



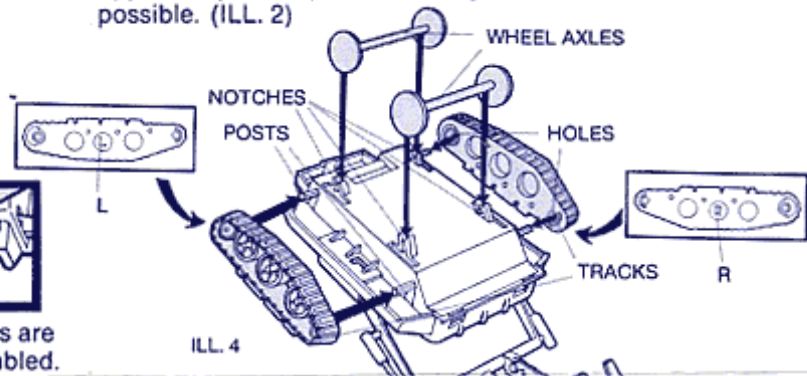
- 1 Insert post on lifting unit into hole in scoop. Insert tabs on scoop into slots on lifting unit. (ILL. 1)



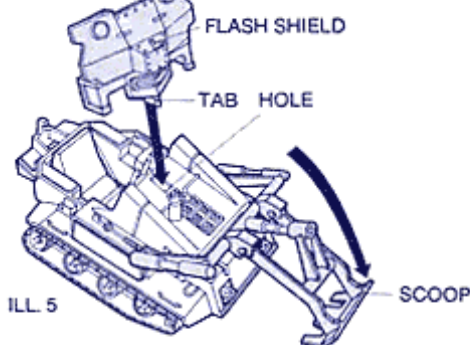
- 2 Insert posts on lifting unit into openings on sides of upper body. Slide posts on lifting unit as far forward as possible. (ILL. 2)



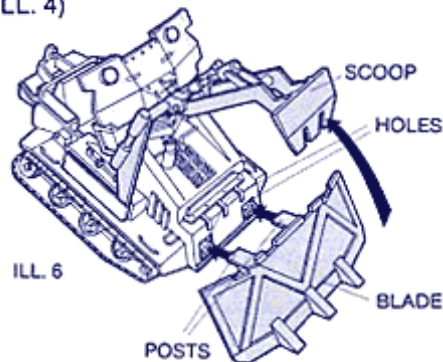
- 3 While holding lifting unit as in step #2, insert two front tabs on lower body into two front holes in upper body. Push seat upward and snap lower body to upper body. (ILL. 3)



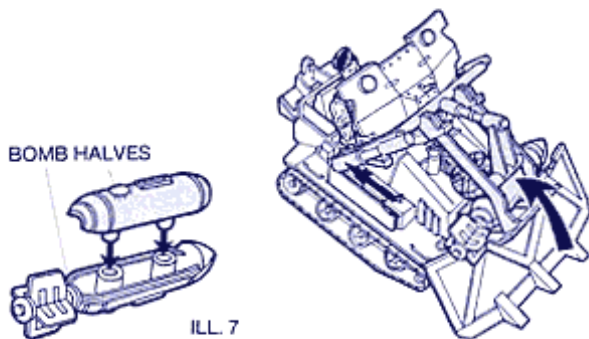
- 4 Locate left (L) and right (R) lower body sides and tracks. Place holes in tracks over posts on sides of vehicle as shown. Snap wheel axles into notches underneath vehicle. (ILL. 4)



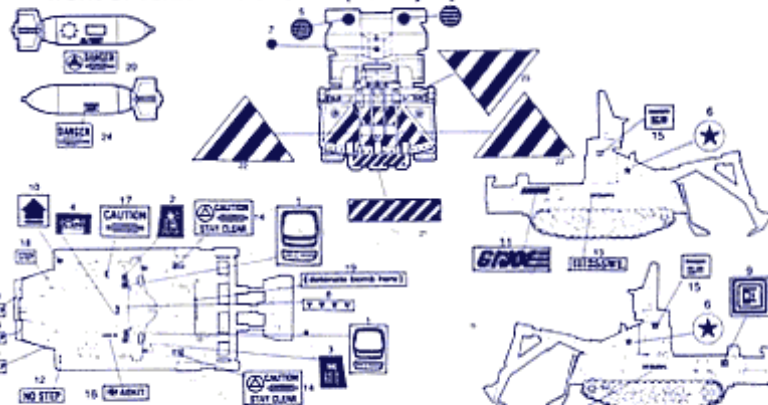
- 5 Swing scoop down. Insert tab on flash shield into hole on top of vehicle as shown. (ILL. 5)



- 6 Swing scoop up. Insert posts on blade into holes in front of vehicle as shown. (ILL. 6)



- 7 Attach bomb halves. Slide lifting unit back to trap bomb and mines between scoop and blade. Place G.I. Joe® figure in seat. (Figure sold separately.) (ILL. 7)



- 8 Peel and apply labels as shown.