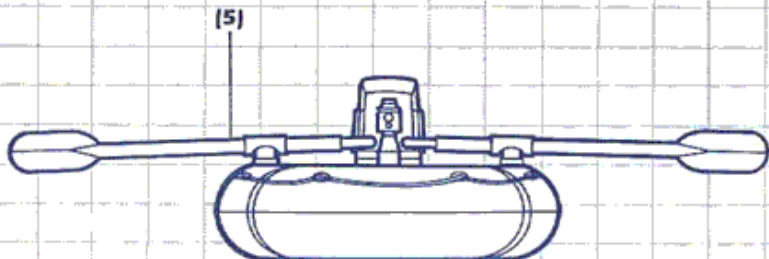
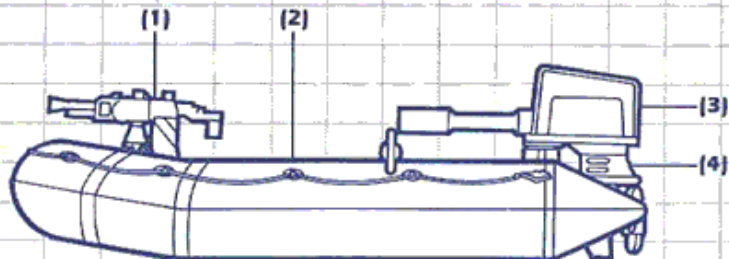
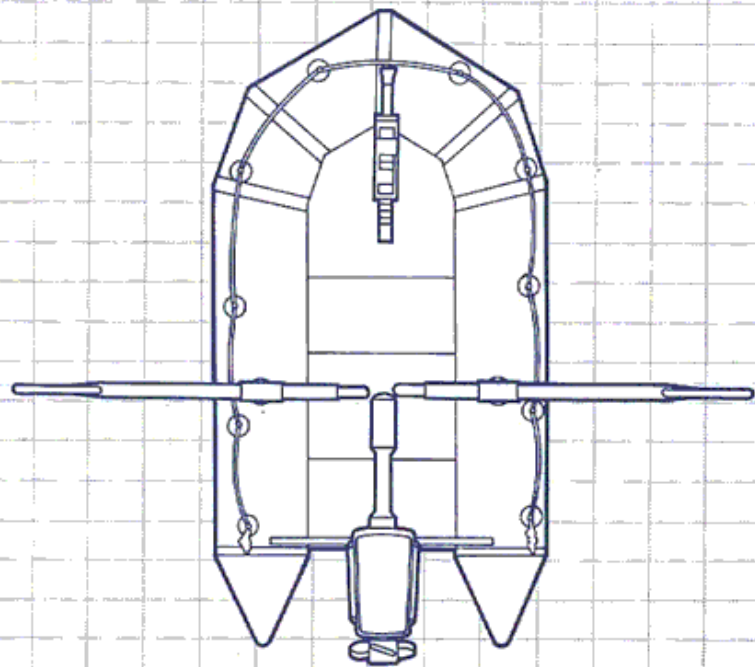
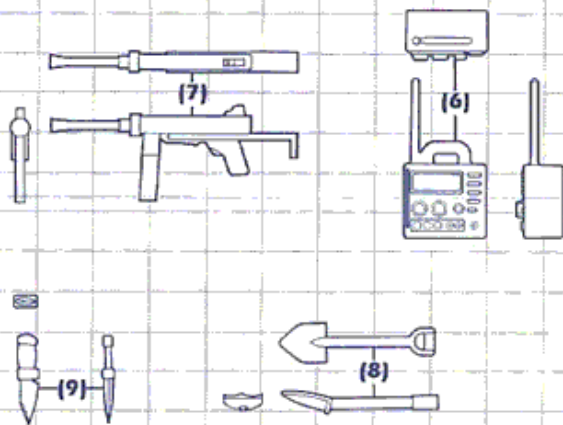


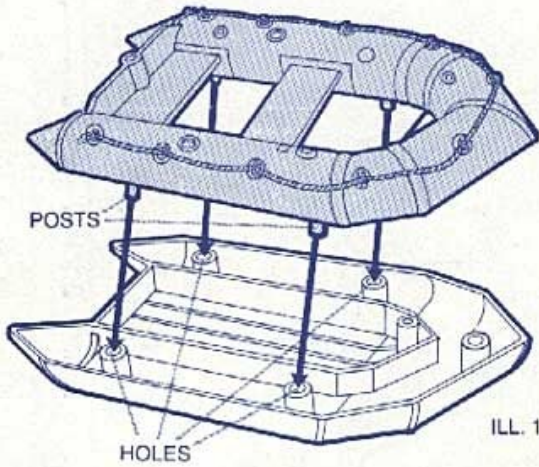
NIGHT LANDING

- 1) AIR-COOLED .45 CALIBER MACHINE GUN
- 2) AUTO-INFLATE NYLON/POLYSKIN BULLET-RESISTANT BOAT
- 3) BULLET-PROOF COMPOSITE ENGINE SHROUD
- 4) 42-HP FUEL INJECTED OUTBOARD MOTOR
- 5) CARBON-FIBER OARS
- 6) TWO-WAY COMMUNICATIONS RADIO
- 7) EXTENDED-BARREL 12 MM SUBMACHINE GUN
- 8) LIGHTWEIGHT TITANIUM KNIFE
- 9) LIGHTWEIGHT FIBERGLAS SHOVEL



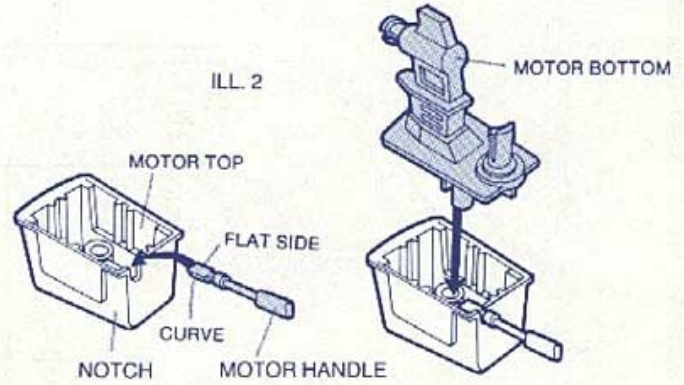
COBRA NIGHT LANDING INSTRUCTIONS

Remove all pieces from plastic frames. If you have difficulty, use safety scissors.



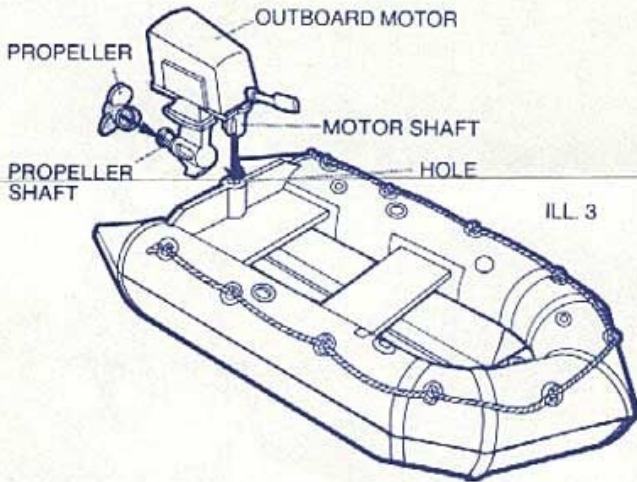
ILL. 1

- 1 Insert posts of upper raft into holes of lower raft. Press halves together firmly around entire raft. (ILL. 1)



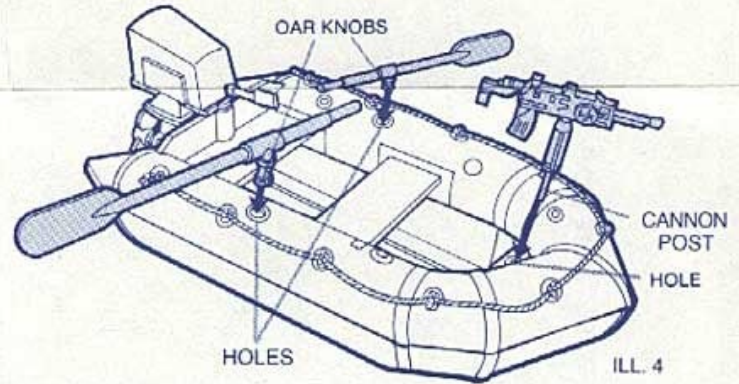
ILL. 2

- 2 Insert curved side of motor handle into notch of motor top with flat side facing up. Press motor bottom firmly onto motor top. (ILL. 2)



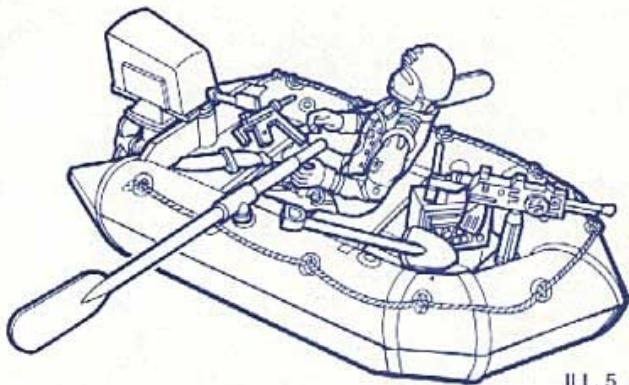
ILL. 3

- 3 Snap propeller onto propeller shaft. Insert motor shaft on outboard motor into hole on back of raft. (ILL. 3)



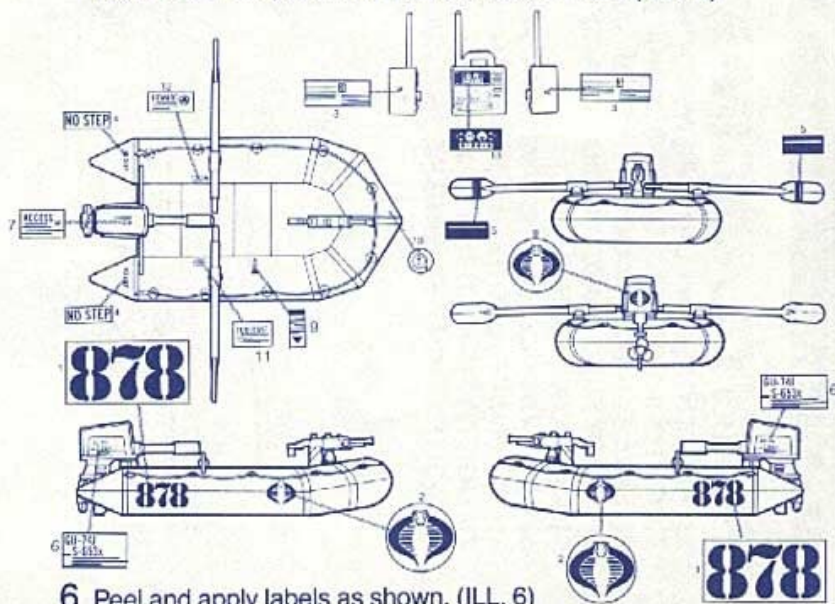
ILL. 4

- 4 Insert oar knobs into holes on each side of raft. Insert cannon post into hole on floor of raft. (ILL. 4)



ILL. 5

- 5 Seat COBRA figure facing rear of raft and grasping oar handles. Load raft with trenching shovel, knife, gun, radio and other supplies. (Figure sold separately.) (ILL. 5)



- 6 Peel and apply labels as shown. (ILL. 6)