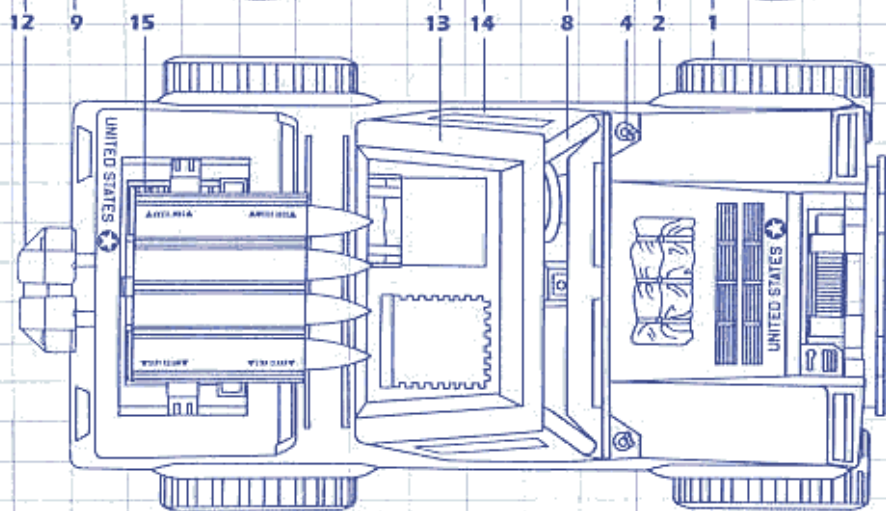
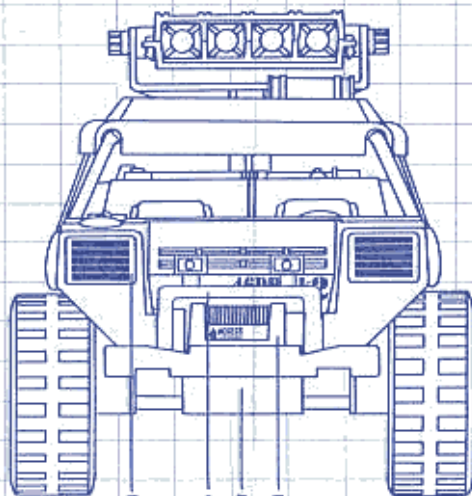
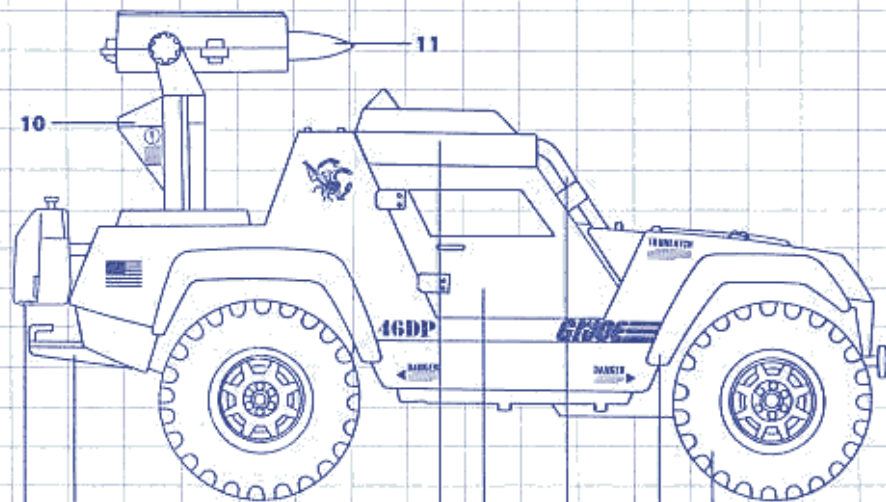


# ATTACK VEHICLE (VAMP MARK II)



- 1) OFF-ROAD TIRES ON ALLOY WHEELS
- 2) URETHANE FENDER FLARES
- 3) 4.8 LITER V-12 FUEL INJECTED TWIN-TURBO ENGINE  
RANGE: 550 MILES  
TOP SPEED: 140 MPH
- 4) HOOD HOLD-DOWN PINS
- 5) HEAVY-DUTY WINCH
- 6) TOW BAR
- 7) HALOGEN HEADLAMP WITH ELECTRIC DEFROSTERS
- 8) ROLL BAR
- 9) TOW HOOK
- 10) MISSILE LAUNCHER
- 11) STINGER XK2 MISSILES
- 12) WATER CANS
- 13) CANVAS ROOF PANEL
- 14) DOORS
- 15) REAR DECK VENTS

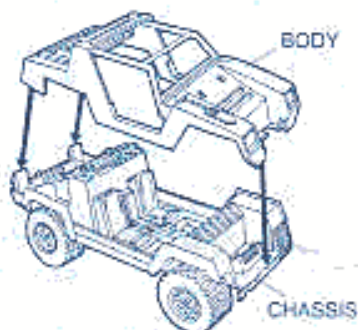
**NOTE: REMOVE ALL PIECES FROM PLASTIC FRAMES. IF YOU HAVE DIFFICULTY, USE SAFETY SCISSORS.**

## ATTACK VEHICLE (VAMP MARK II) INSTRUCTIONS



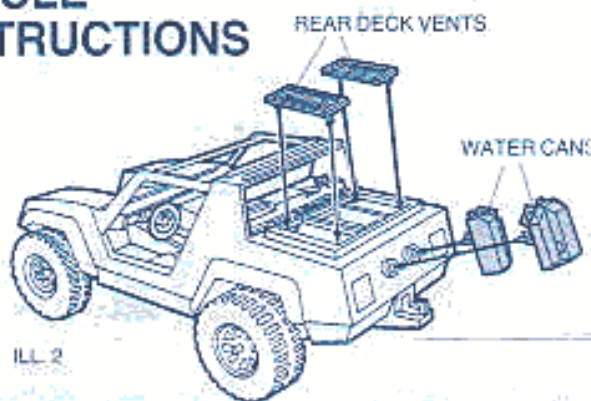
STEERING WHEEL

ILL. 1



BODY

CHASSIS



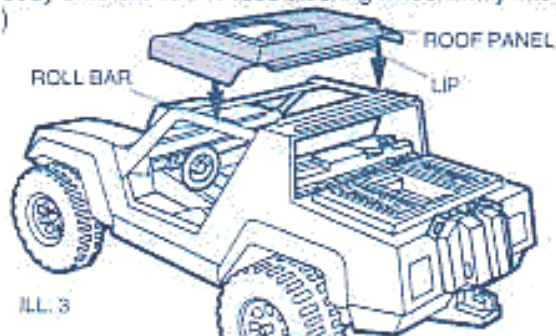
REAR DECK VENTS

WATER CANS

ILL. 2

- 1** Line up tab on steering wheel column with slot in dashboard. Press body onto chassis. Press steering wheel firmly into place. (ILL. 1)

- 2** Snap rear deck vents onto rear of body. Press water cans into slots near tail lights on rear of body. (ILL. 2)

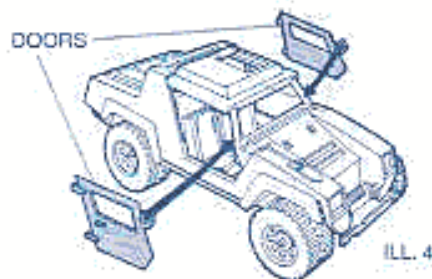


ROOF PANEL

ROLL BAR

LIP

ILL. 3

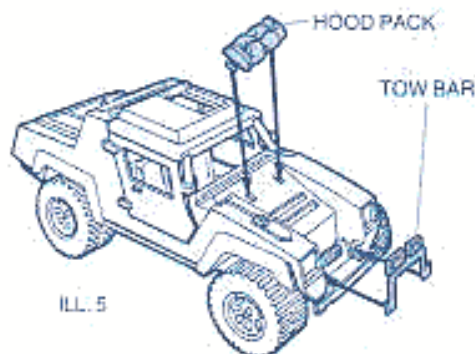


DOORS

ILL. 4

- 3** Place lip of roof panel under the back of roof frame and snap front of roof panel down onto roll bar as shown. (ILL. 3)

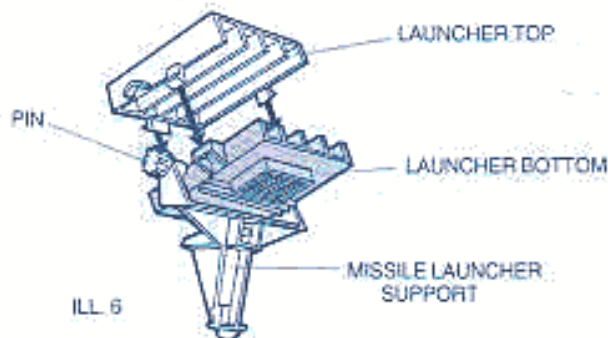
- 4** Snap doors onto roll bar as shown. (ILL. 4)



HOOD PACK

TOW BAR

ILL. 5



LAUNCHER TOP

PIN

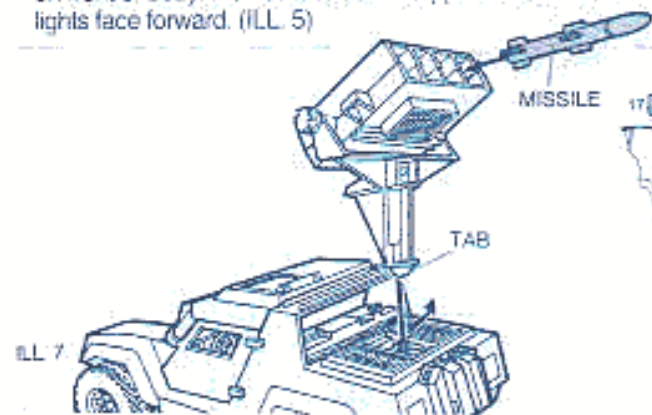
LAUNCHER BOTTOM

MISSILE LAUNCHER SUPPORT

ILL. 6

- 5** Snap hood pack onto hood. Insert one side of tow bar into bracket on front of body. Flex other side into opposite bracket. Make sure lights face forward. (ILL. 5)

- 6** Slide launcher bottom under pins on missile launcher support and fit into place. Snap launcher top onto launcher bottom. (ILL. 6)

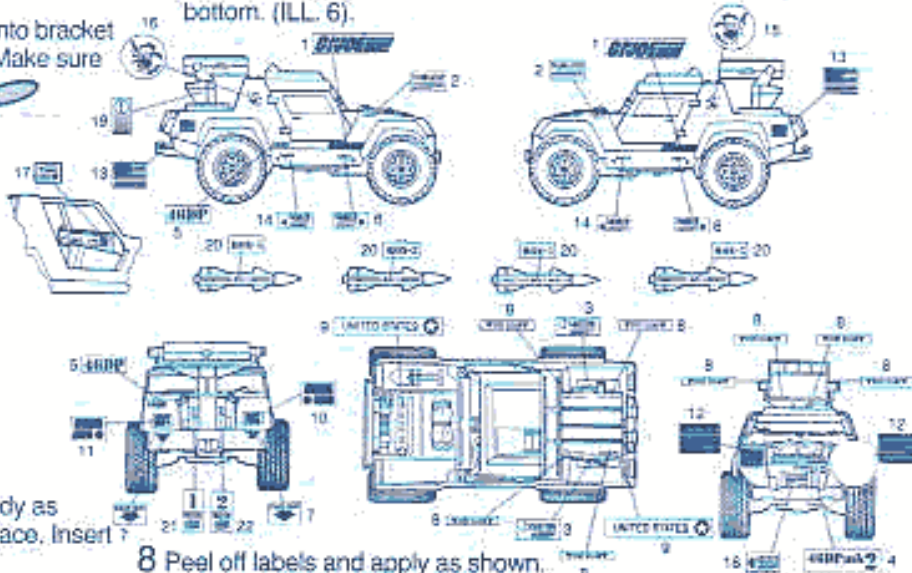


MISSILE

TAB

ILL. 7

- 7** Line up tab on missile launcher support with slot on body as shown. (ILL. 7) Insert and twist to lock assembly into place. Insert missiles into launcher. Place CLUTCH in driver's seat.



- 8** Peel off labels and apply as shown.