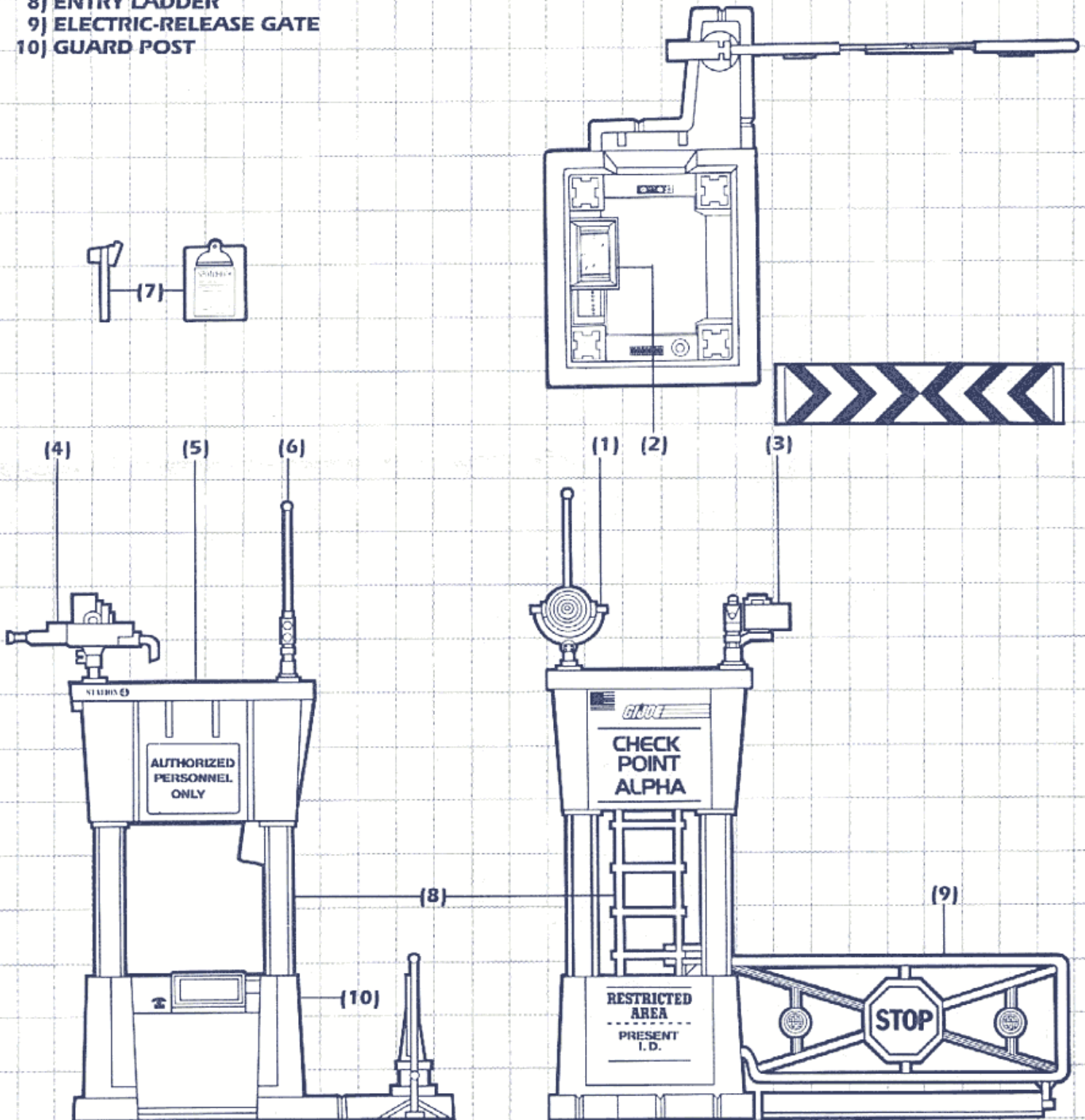


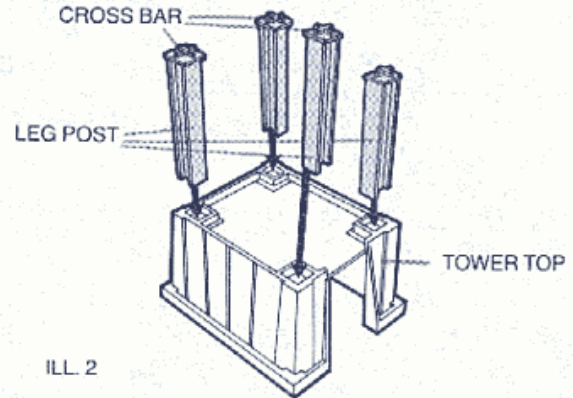
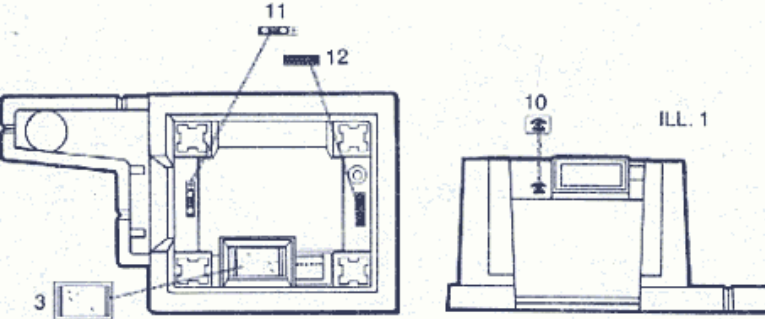
CHECKPOINT

- 1) TUNGSTEN SPANNED-BEAM SEARCHLIGHT
- 2) REMOTE COMMUNICATIONS/GATE RELEASE CONSOLE
- 3) VC-HR8 AUTO-SCAN INFRARED CAMERA
- 4) LONG-BODY HIGH-RATE I-15 SUBMACHINE GUN
- 5) OBSERVATION DECK
- 6) OMNI-DIRECTIONAL RADIO RECEIVER
- 7) GUARD'S CLIPBOARD
- 8) ENTRY LADDER
- 9) ELECTRIC-RELEASE GATE
- 10) GUARD POST



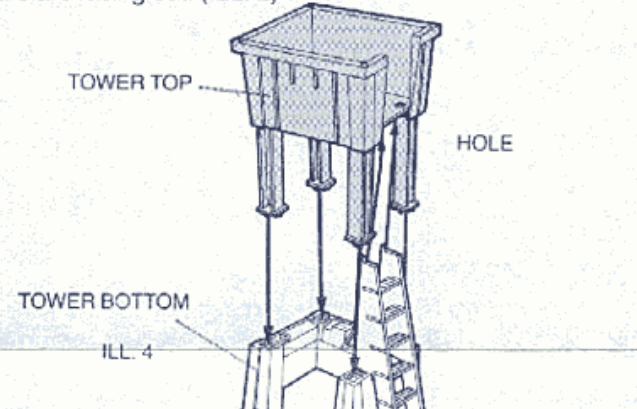
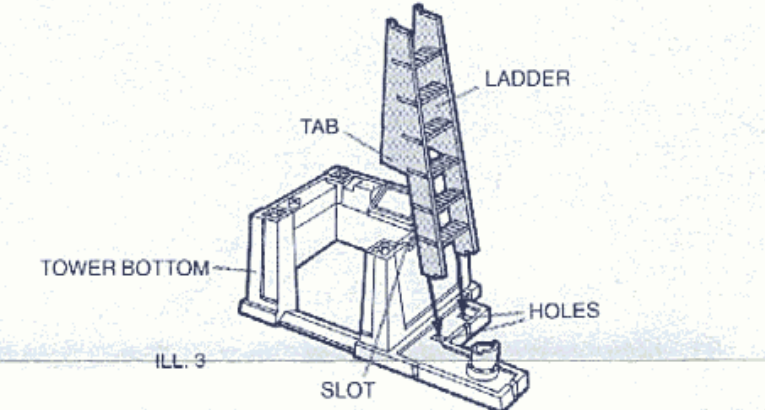
G.I. JOE CHECK POINT INSTRUCTIONS

Remove all pieces from plastic frames. If you have difficulty, use safety scissors.



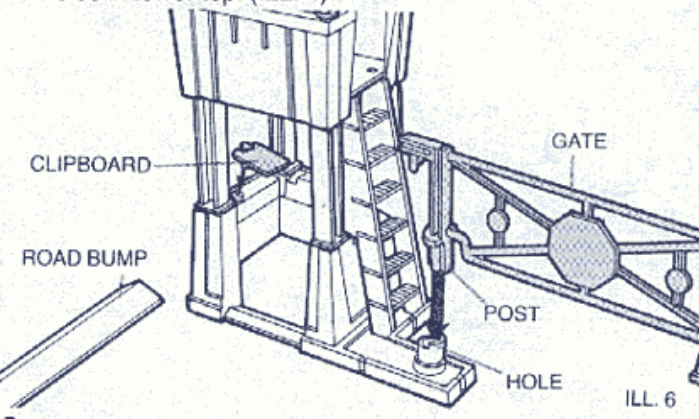
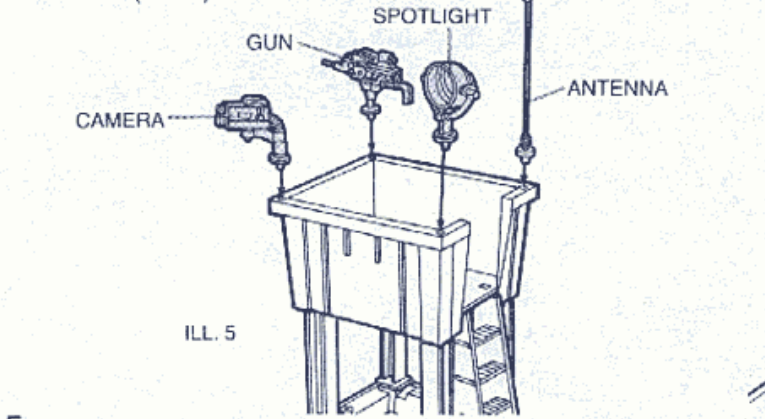
1 Peel and apply label numbers 3, 10, 11 and 12 as shown. (ILL. 1)

2 Insert each leg post into slots in tower top. Make sure cross bars are facing out. (ILL. 2)



3 Insert ladder into holes at base of tower bottom and rest tabs in slots. (ILL. 3)

4 Fit leg posts into tower bottom and insert posts on ladder into holes in tower top. (ILL. 4)



5 Insert posts on gun, camera, antenna and spotlight into holes in tower top. (ILL. 5)

6 Insert clipboard into hole in bottom of tower. Insert post on gate into hole in lower tower. Place road bump in front of gate. (ILL. 6)

7 Peel and apply labels as shown.

