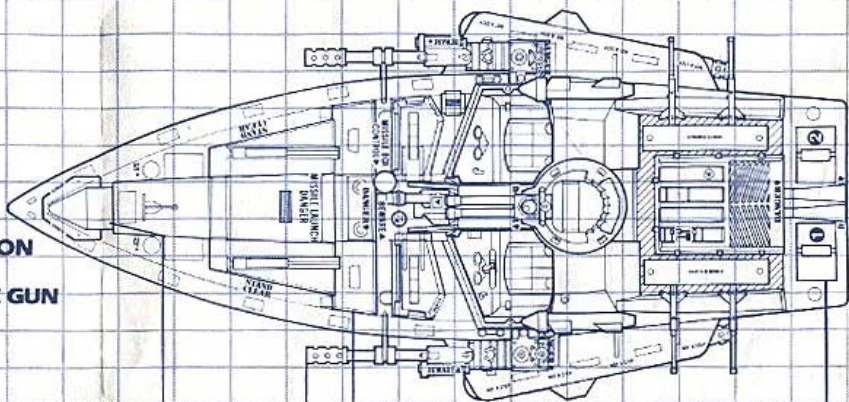


COBRA HYDROFOIL

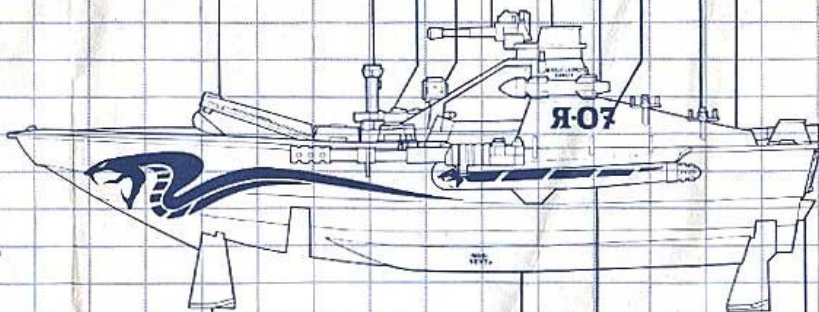
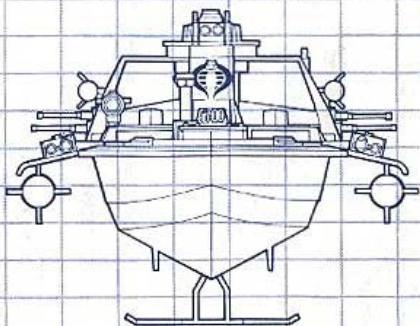
- 1) REMOTE RELEASE DEPTH CHARGER BINNACLES
- 2) HIGH-FLOW 775 HP DESTRO V-12 GASOLINE ENGINE
- 3) LATERAL 30 CALIBER MACHINE GUNS
- 4) FLEET IDENTIFICATION NUMBER
- 5) HE-07A AIR-TO-GROUND LOW-FLIGHT MISSILE
- 6) FLYING-TURRET COMMAND POST
- 7) RAPID-FIRE 23MM SYNCHRONIZED TWIN-BARREL CANNON
- 8) COPILOT OPERATED REMOTE HALOGEN SPOTLIGHT
- 9) REMOTE-TARGETING PILOT-OPERATED 19MM MACHINE GUN
- 10) MISSILE ACTVATOR
- 11) BLAST DEFLECTOR SHIELD
- 12) PORT/STARBOARD SHORE-ASSAULT 55MM CANNONS
- 13) RETRACTABLE FOWARD-LAUNCHING MISSILE BOX
- 14) MISSILE LAUNCHER COOLING DUCT
- 15) UNDERWATER EXHAUST PORTS
- 16) ANGULAR-LAUNCH SURFACE-SWIMMING "BLACK-RAY" TORPEDO
- 17) CARBON-FIBER REINFORCED LAMINATED SINGLE-V HULL
- 18) HYDROFOILS
- 19) 75 POUND, 9 INCH DEPTH CHARGER CANNISTER
- 20) HE-J-180 "JUMPSTART" AIR-TO-WATER MISSILE



[14] [13] [12] [11] [10] [9] [8] [7] [6] [5] [4] [3] [2] [1]

[19] 

[20] 



[18]

[17]

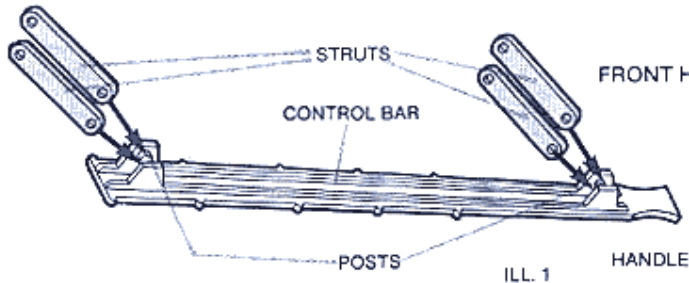
[16]

[15]

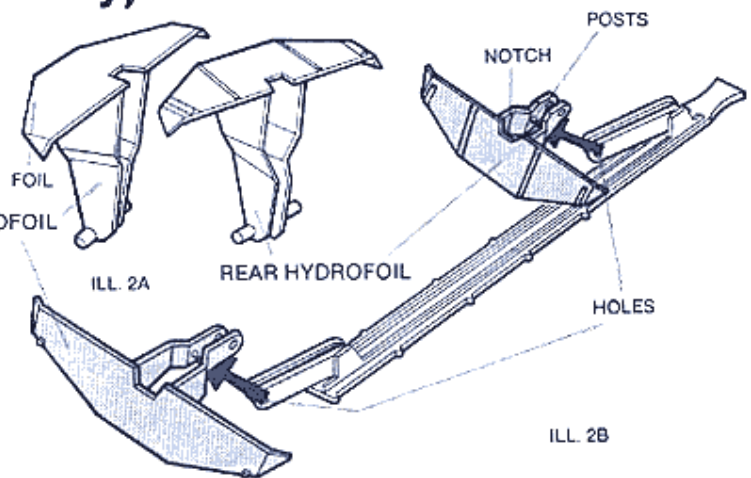
Remove all pieces from plastic frames. If you have difficulty, use safety scissors.

COBRA Hydrofoil (Moray) Instructions

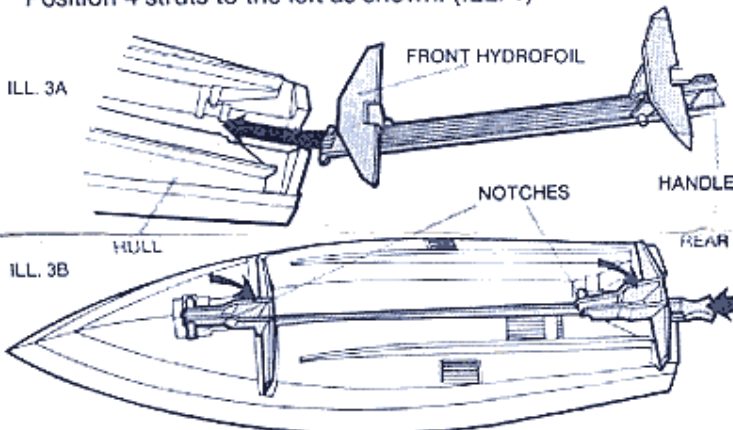
NOTE: Adult supervision may be required.



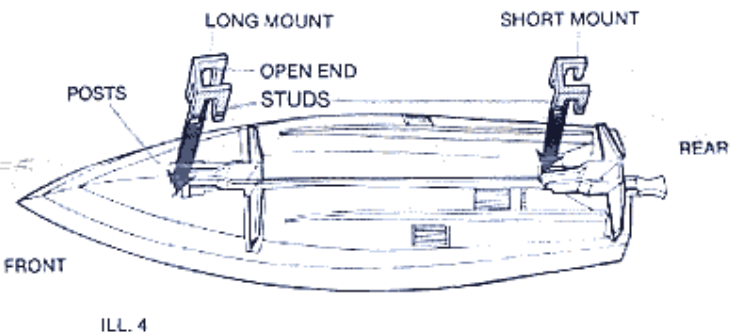
- 1 Place control bar on table with handle to your right. Snap ends of 4 struts over 4 posts on control bar. Position 4 struts to the left as shown. (ILL. 1)



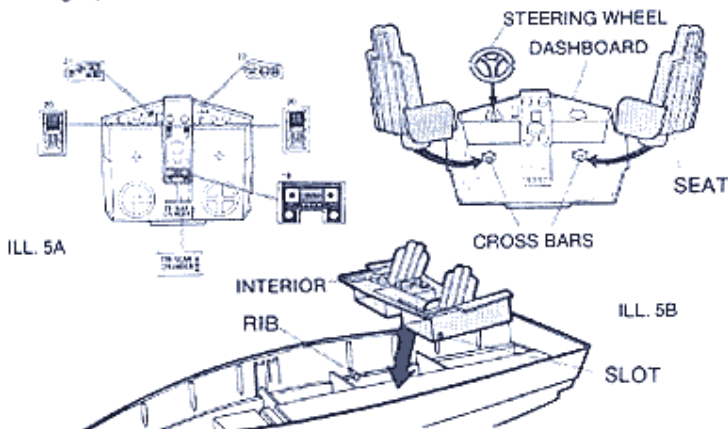
- 2 Locate rear hydrofoil (See ILL. 2A). With foil to your left and notch facing up, snap holes in rear (right) struts over small posts inside hydrofoil as shown. Repeat with left hydrofoil and left struts. (ILL. 2B)



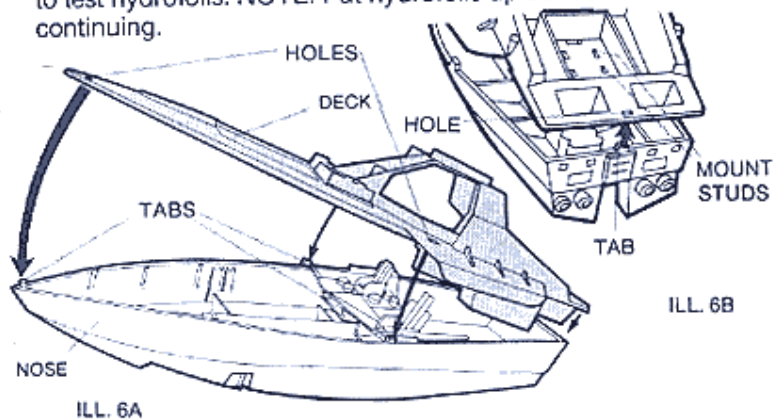
- 3 Turn hull upside down. Hold handle of control bar. Lift front hydrofoil and slide control bar into hull as shown. Make sure control bar slides under tabs. (ILL. 3A) Fold both hydrofoils toward rear of hull. Rest large posts in notches. (ILL. 3B)



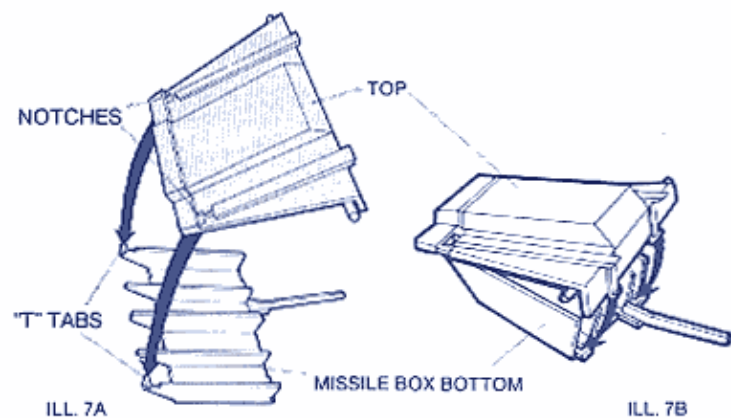
- 4 With open end of long mount facing rear of hull, insert 4 studs over posts on front hydrofoil. Snap studs firmly into 4 holes in hull. Repeat with short mount and rear hydrofoil. (ILL. 4) Slide handle back and forth to test hydrofoils. NOTE: Put hydrofoils up before continuing.



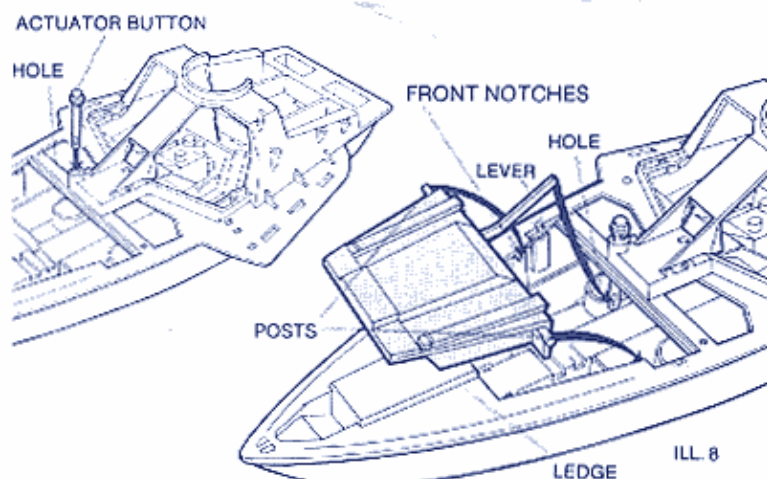
- 5 Peel and apply labels 19 through 23 to interior as shown. (ILL. 5A) Turn hull right side up. Insert steering wheel post into hole in dashboard of interior. Fit seats over cross bars on interior. Place 2 slots in interior over 2 ribs in hull, as shown. (ILL. 5B)



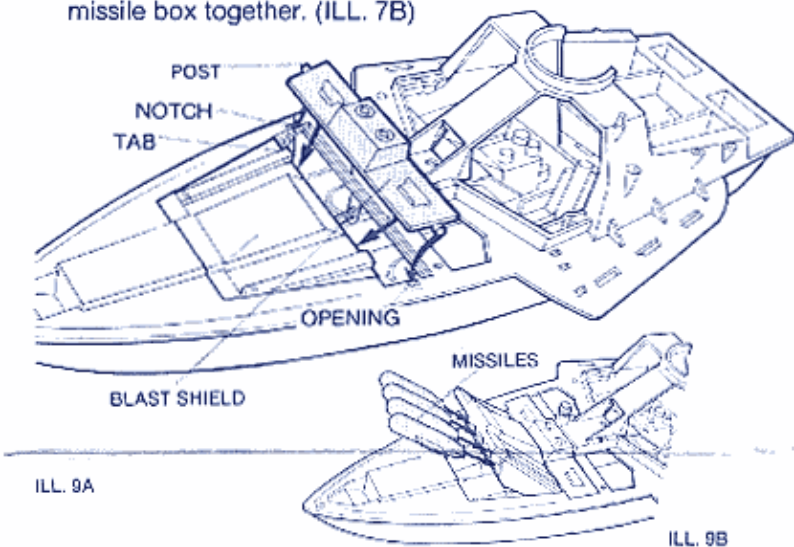
- 6 Insert tab on rear of hull into hole in rear of deck. Starting at the rear, snap tabs on sides of hull into holes in sides of deck. Squeeze nose of hull to snap tabs into nose of deck. (ILL. 6A) NOTE: Make sure all short mount studs are snapped into deck before continuing. (ILL. 6B)



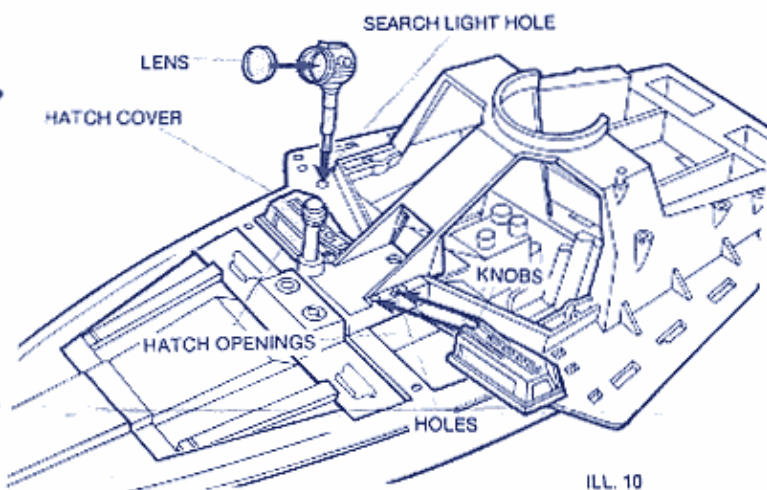
- 7 Insert "T" tabs on front of missile box bottom into notches in front of missile box top. Slide "T" tabs toward rear of missile box. (ILL. 7A) Snap rear of missile box together. (ILL. 7B)



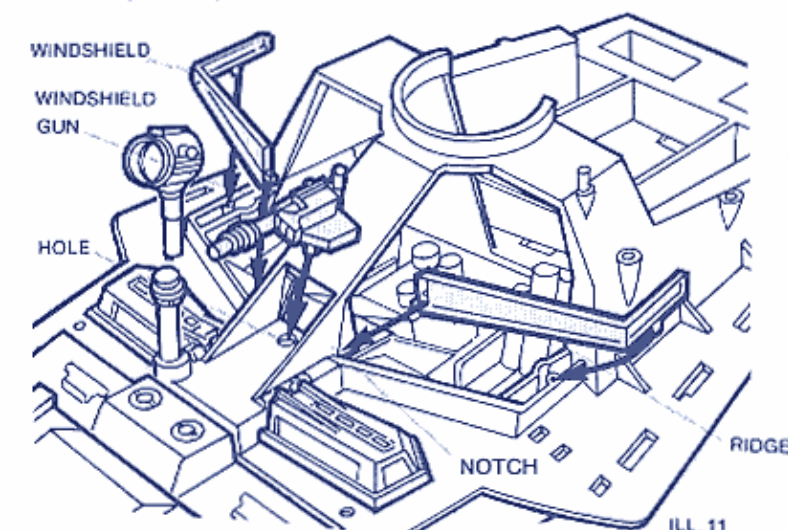
- 8 Insert actuator button into hole in deck, as shown. Insert missile box lever into hole in actuator button. Rest posts on missile box onto notches in hull. Rest front of box on ledge of deck. (ILL. 8)



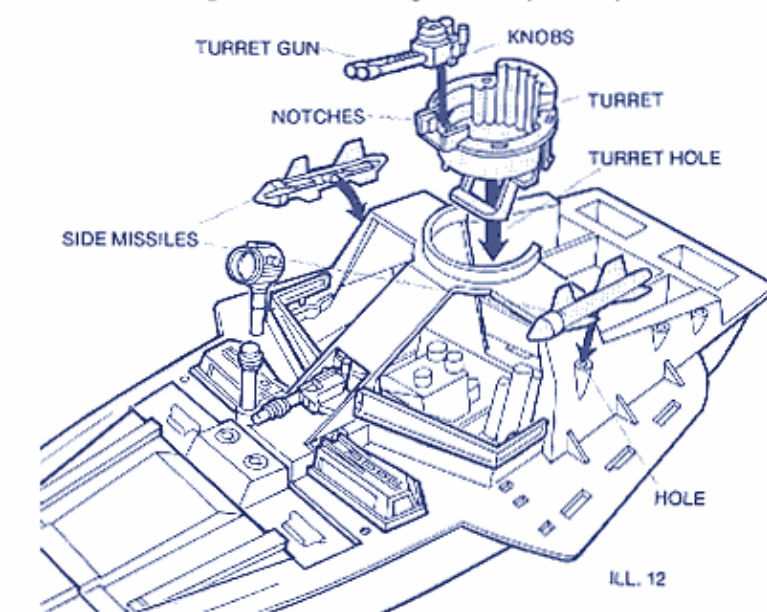
- 9 Position front of blast shield under top tabs on back of missile box and place one post on notch under deck. Place other post of blast shield over deck opening and snap down in place. (ILL. 9A) Press actuator button to lift missile box. Insert 4 missiles into missile box. (ILL. 9B)



- 10 Snap knobs on hatch covers into holes near hatch openings. Snap lens into search light. Insert post on search light into search light hole. (ILL. 10)



- 11 Press tab on left windshield into notch on left side of cabin as shown. Slide windshield between ridge and press into place. Repeat with right windshield. Insert post on windshield gun into hole between windshields. (ILL. 11)



- 12 Snap knobs on turret gun into notches in turret. Place turret into turret hole in cabin. Snap into place. Insert posts on 2 side missiles into holes on sides of cabin. (ILL. 12)

