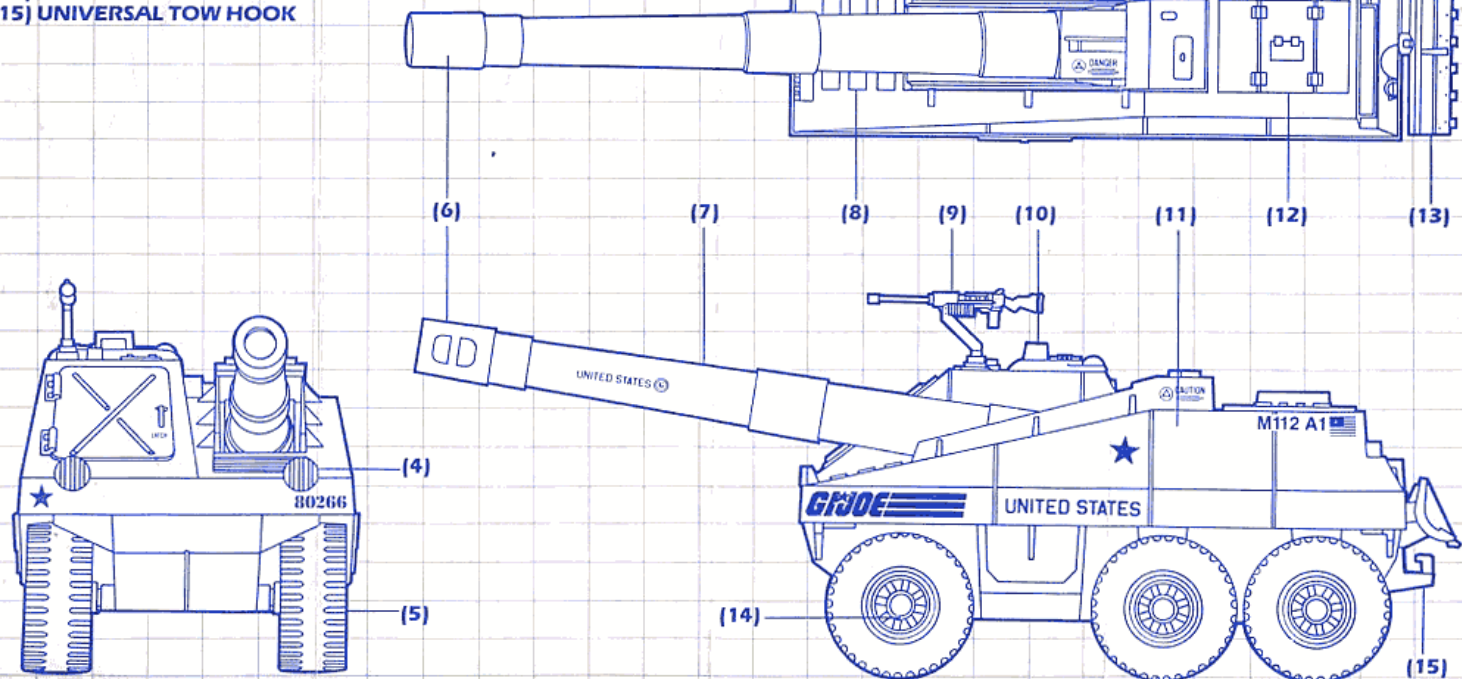


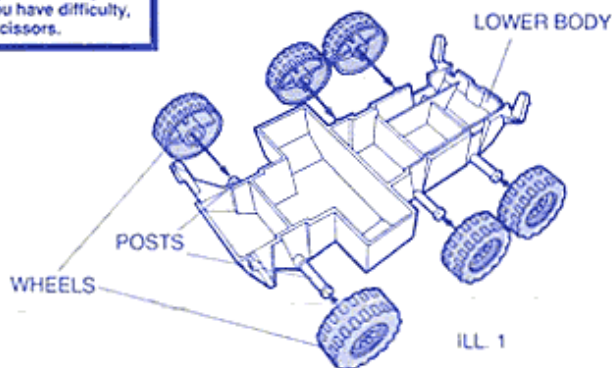
# SELF-PROPELLED CANNON (SLUGGER)

- 1) COCKPIT CONTROLS MAINTENANCE/DISASSEMBLY DOOR
- 2) MAIN COCKPIT ENTRY HATCH
- 3) ENGINE COMPARTMENT VENTILATOR/ACCESS HATCH
- 4) QUARTZ-HALOGEN SHIELDED HEADLIGHTS
- 5) SELF-SEALING RUN-FLAT FLOATATION TIRES
- 6) FLAME ARRESTOR
- 7) 175MM "SLUGGER" HOWITZER
- 8) HIGH-TRACTION STEP PADS
- 9) 30 CAL. QUICK-SEQUENCE MACHINE GUN
- 10) OPERATOR'S VIEWPORT
- 11) NYLON/TITANIUM HONEYCOMB HULL ARMOR
- 12) CANNON ELEVATOR MECHANISM MAINTENANCE HATCH
- 13) SELF-PLANTING STABILIZER BLADE
- 14) FULL-TIME FOUR WHEEL DRIVE SYSTEM
- 15) UNIVERSAL TOW HOOK



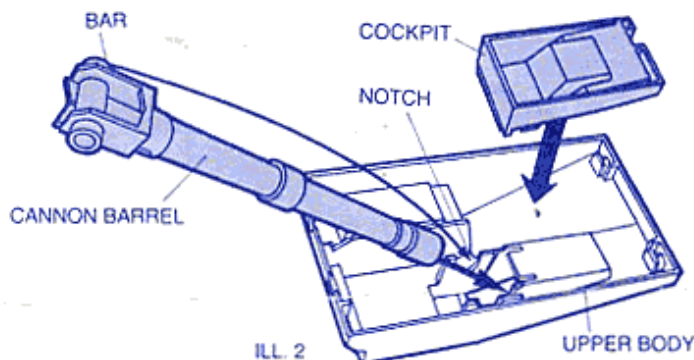
## SELF-PROPELLED CANNON (SLUGGER) INSTRUCTIONS

Remove all pieces from plastic frames. If you have difficulty, use safety scissors.



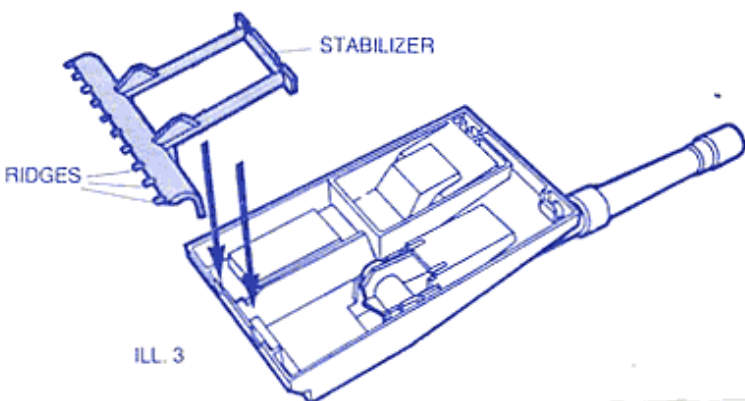
ILL. 1

1 Push wheels onto posts on lower body. (Ill. 1)



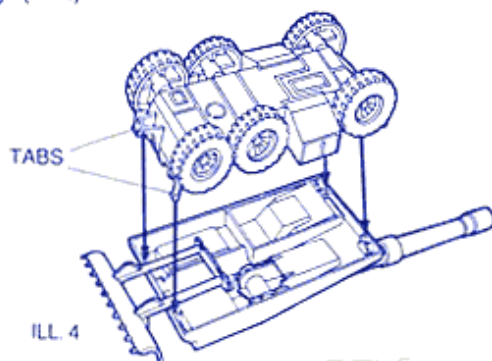
ILL. 2

2 Turn upper body over. Insert cannon barrel through slot in upper body as shown. Fit bar into notch. Place cockpit into upper body. (Ill. 2)



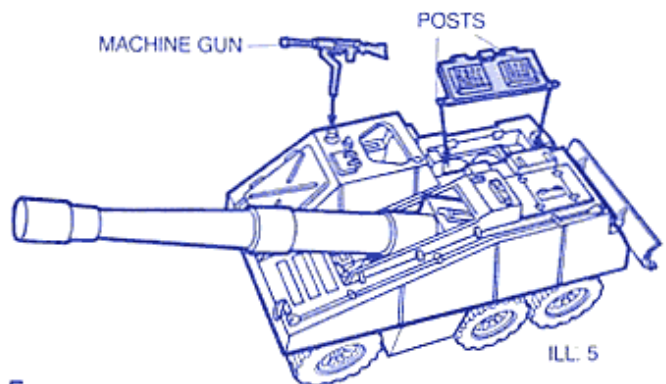
ILL. 3

3 Place bars on stabilizer into notches in upper body. Make sure ridges are facing up. (Ill. 3)



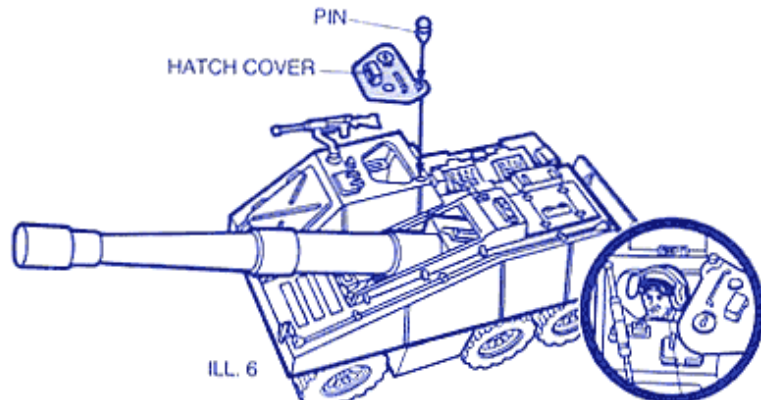
ILL. 4

4 Place front tabs of lower body into front slots of upper body. Then snap rear tabs into rear slots. (Ill. 4)



ILL. 5

5 Insert machine gun into position as shown. Slide one post of engine cover into place. Line up other post and slide into place. Close cover. (Ill. 5)



ILL. 6

6 Position hatch cover over hatch and line up holes. Snap pin through holes as shown. Slide hatch cover back. Fit G.I. Joe figure "THUNDER" into hatch. (Ill. 6)

7 Peel off labels and apply as shown.

