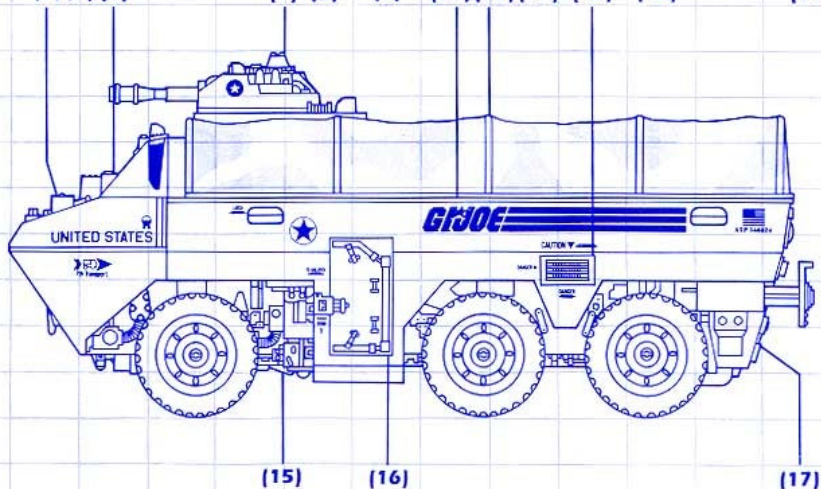
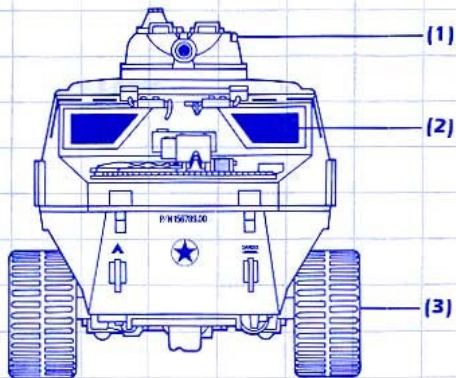
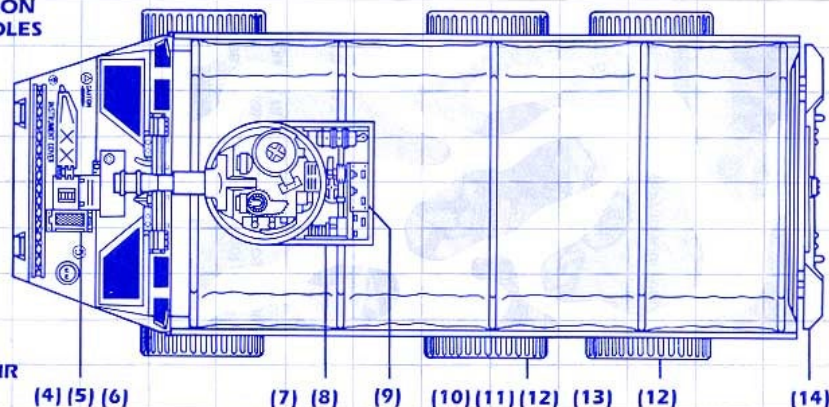


AMPHIBIOUS PERSONNEL CARRIER (APC)

- 1) 50MM SINGLE FIRE AUTO-CONTROL CANNON
- 2) SHELL PROOF TINTED BUTYRATE PORTHOLES
- 3) OFF-ROAD FLOATATION TIRES ON MODULAR ALLOY RIMS
- 4) ENGINE AIR INTAKE
- 5) ENGINE OIL/AIR INTERCOOLER
- 6) PRIMARY CLIMATE CONTROL SYSTEM
- 7) TURRET DRIVE MAINTENANCE HATCH
- 8) TURRET DRIVE SUPPORT SYSTEMS
- 9) EMERGENCY AID KIT/TOOL KIT (ROAD TOOLS ON TAILGATE)
- 10) 1.5" TORPEDO RESISTANT HULL ARMOR
- 11) CANVAS PERSONNEL COVER
- 12) REAR FOUR-WHEEL DRIVE
- 13) AUXILIARY AIR PURIFIER
- 14) TELESCOPING BUMPER
- 15) HYDRAULIC SUSPENSION FLUID RESERVOIR
- 16) WATERTIGHT HULL ENTRY HATCH
- 17) PROPELLER HATCH DOORS



AMPHIBIOUS PERSONNEL CARRIER Instructions

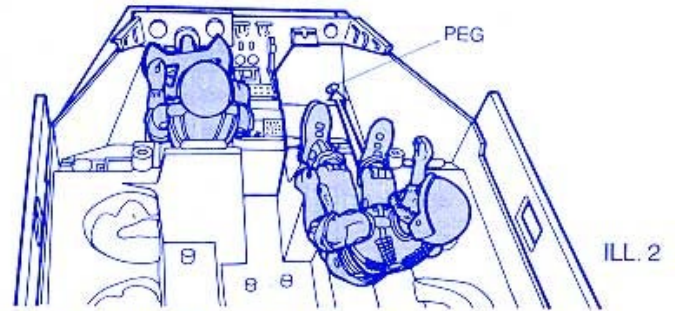


Most of your G.I. Joe figures have holes in their feet. This is to help pose them on foot pegs.



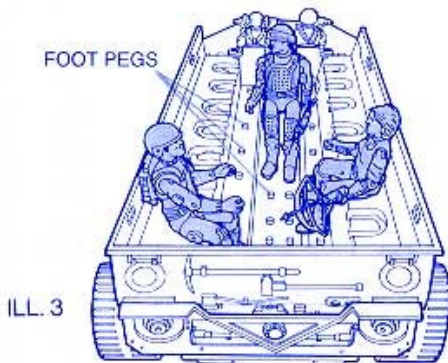
ILL. 1

1 Fit steering wheel into place. (ILL. 1)



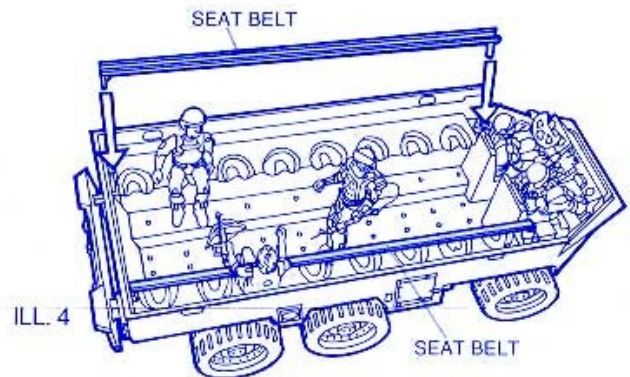
ILL. 2

2 Place two figures into the two front seats. Holes in their feet fit over the pegs on the floor of the vehicle. (ILL. 2)



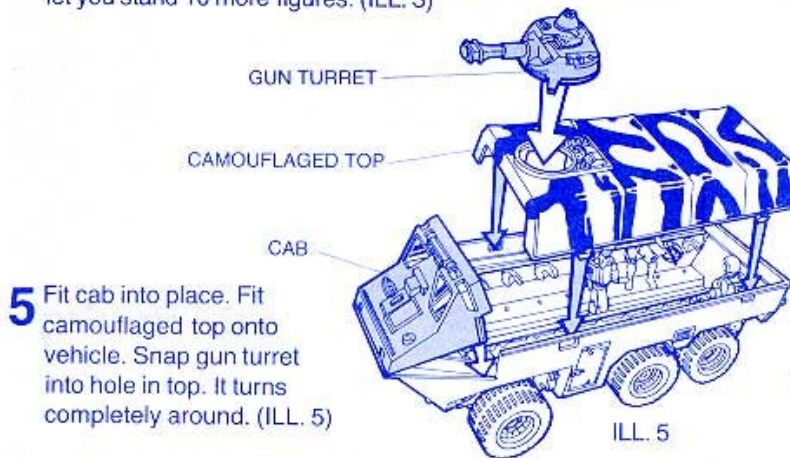
ILL. 3

3 Seat your G.I. Joe figures in the back of APC. Foot pegs help keep them in place. Ten sets of foot pegs in center aisle let you stand 10 more figures. (ILL. 3)



ILL. 4

4 Fit the two long seat belts into place. They hold your figures steady in their seats. (ILL. 4)



ILL. 5

5 Fit cab into place. Fit camouflaged top onto vehicle. Snap gun turret into hole in top. It turns completely around. (ILL. 5)



The rear bumper pulls out to let you carry your APC easily.

Carefully peel labels from label sheet and apply to your Amphibious Personnel Carrier as shown.

