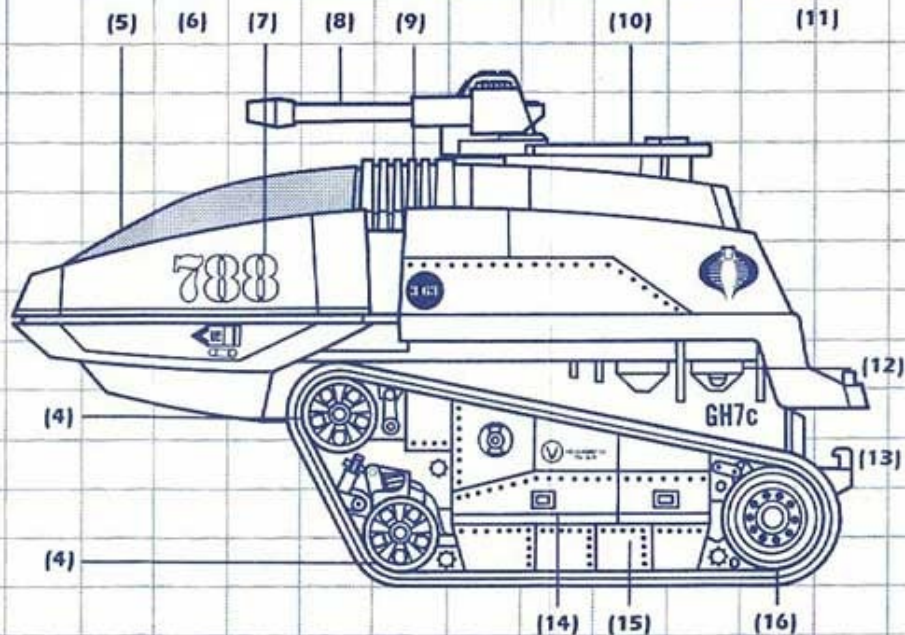
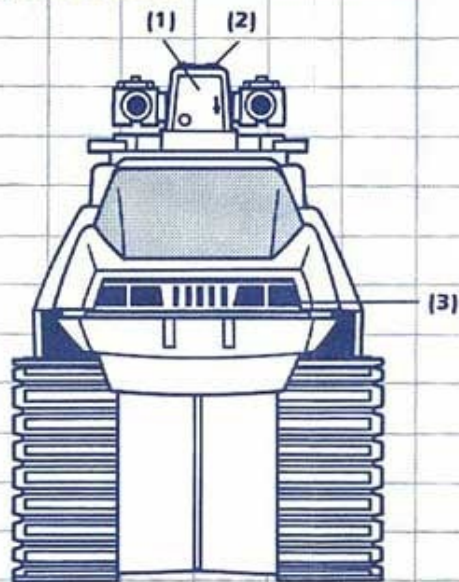
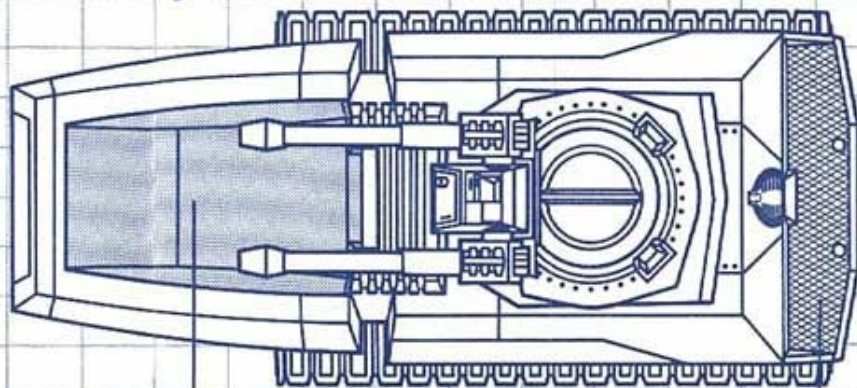


H.I.S.S. (HIGH SPEED SENTRY)

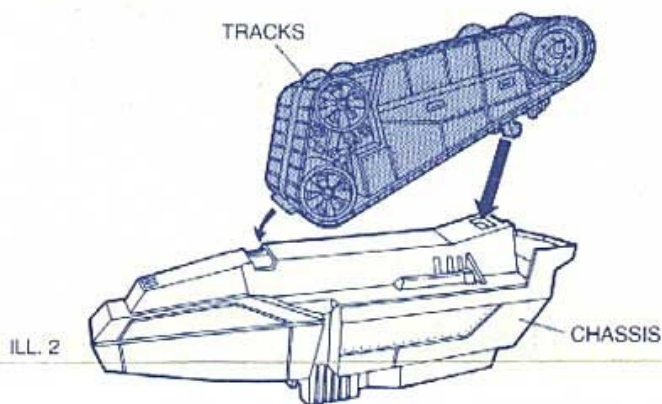
- 1) CANNON MOTOR-DRIVE ACCESS HATCH
- 2) TURRET/COCKPIT TWO-WAY COMMUNICATOR
- 3) TUNGSTEN SPOTLIGHTS
- 4) IDLER BOGEYS
- 5) SHELL-PROOF TINTED CANOPY
- 6) COMMAND COCKPIT WITH DRIVE CONTROLS
- 7) FLEET IDENTIFICATION NUMBER
- 8) 90MM TWIN CANNONS
- 9) ENGINE RADIATOR
- 10) MAIN BATTLE TURRET
- 11) REAR PERSONNEL PLATFORM
- 12) SELF-SEALING FUEL CANISTERS
- 13) TOW HOOK
- 14) GROUND EQUIPMENT LOCKERS
- 15) ARMOR PLATING SKIRTS
- 16) DRIVE BOGEY



COBRA H.I.S.S. INSTRUCTIONS

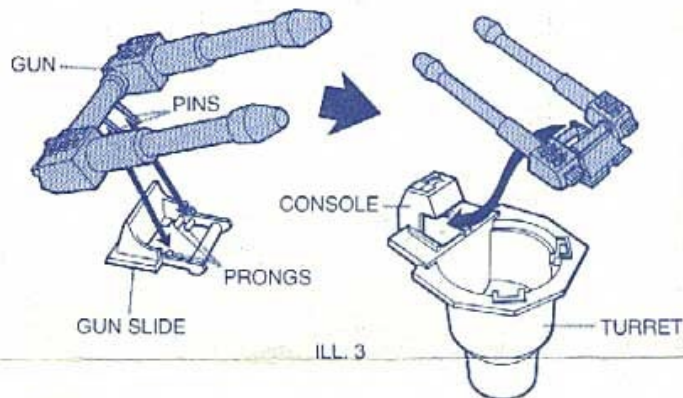


- 1 Remove the labels from the label sheet and apply as shown. (ILL. 1)



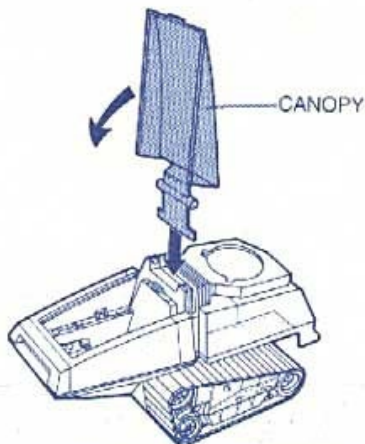
ILL. 2

- 2 Fit tab in front of tracks into slot in front of chassis. Snap chassis down onto tracks. (ILL. 2)



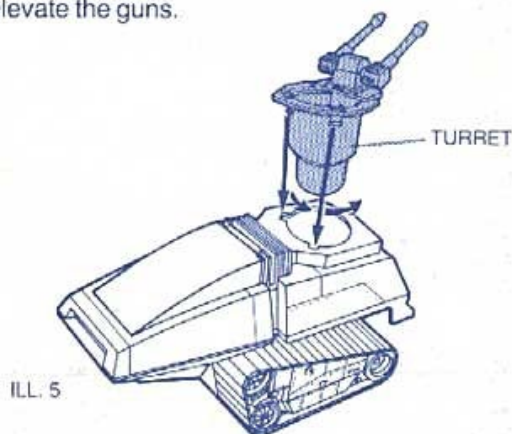
ILL. 3

- 3 Place two pins of gun between the four prongs on gun slide. Hold two pieces together and slide under the console on top of turret. Press forward until it snaps into place. (ILL.3) You can elevate the guns.



ILL. 4

- 4 Fit tabs on canopy into slot above seat and press until it snaps into place. (ILL. 4) Snap canopy down in front. To open canopy, gently squeeze the two sides of the canopy.

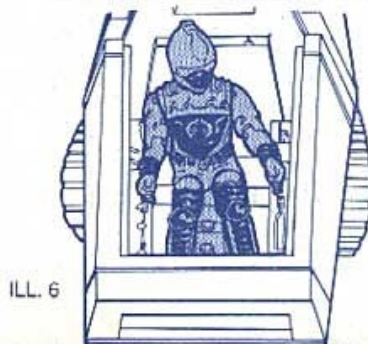


ILL. 5

- 5 Place turret into chassis so two tabs on turret fit through two slots in chassis. Guns will face the rear of the H.I.S.S. Turn turret around so guns face forward. (ILL. 5)

- 6 Seat the COBRA H.I.S.S. driver as shown. (ILL. 6)

You can pose two more figures on the two foot pegs in the back of the H.I.S.S., and another figure inside the turret (figures not included). There is a hook in the back to pull other vehicles.



ILL. 6