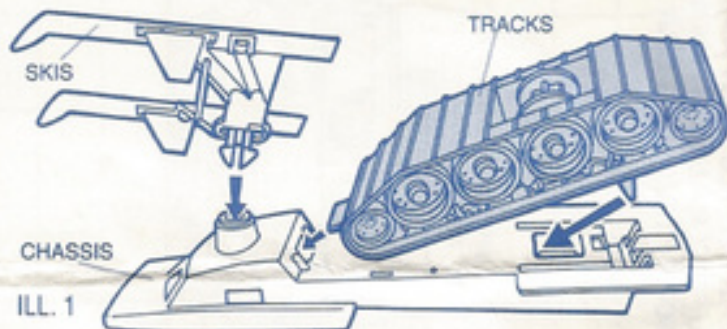


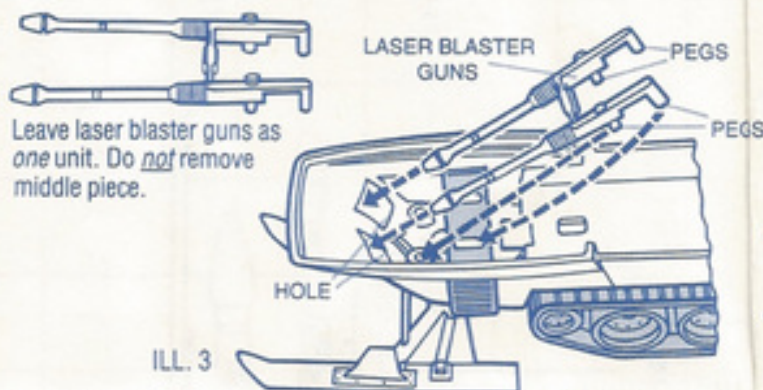
## SKIMOBILE: POLAR BATTLE BEAR™ Instructions

Follow the instructions and carefully remove all Skimobile parts from their runners, as needed.



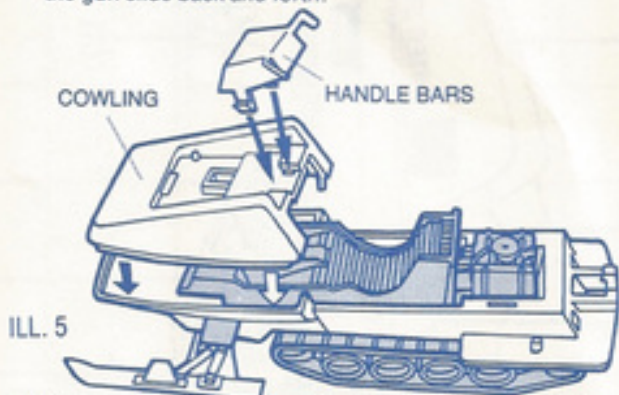
ILL. 1

- 1** Fit tracks into chassis. Snap rear of chassis and tracks together. Snap skis into chassis.



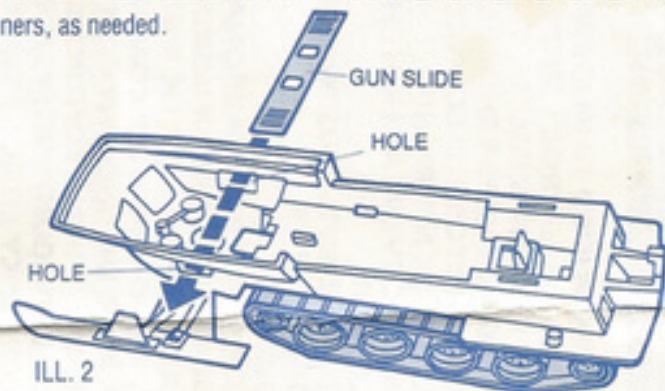
ILL. 3

- 3** Slide guns through the two holes in front of chassis. Fit its four pegs into the four holes as shown. Move the guns side-to-side by moving the gun slide back and forth.



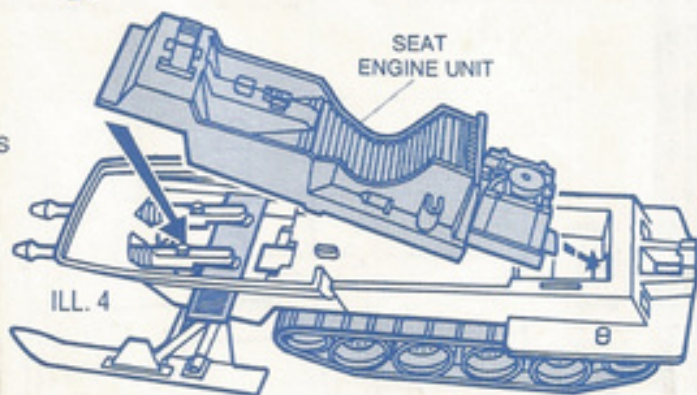
ILL. 5

- 5** Snap cowling into the front of skimobile. Snap handle bars into cowling.



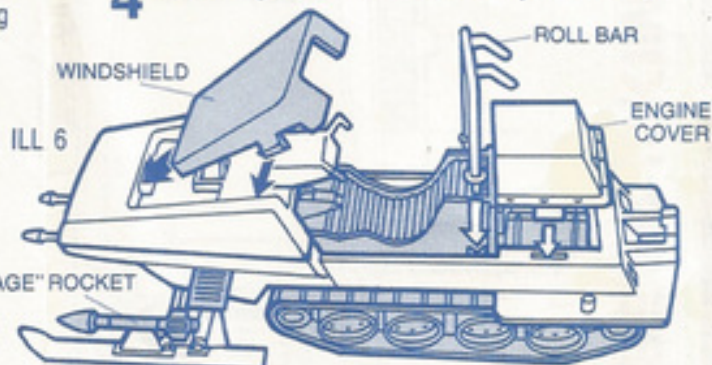
ILL. 2

- 2** Fit gun slide through holes in side of chassis.



ILL. 4

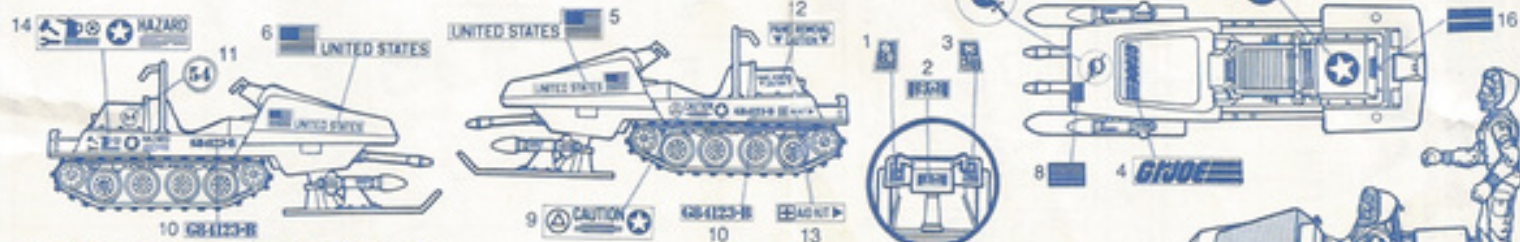
- 4** Fit seat/engine unit into chassis. Snap down in front.



ILL. 6

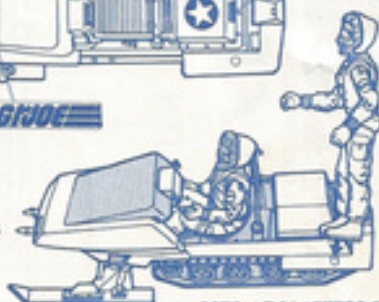
- 6** Fit windshield into front of cowling. Snap down. Snap engine cover into rear of chassis. (Remove it to show off engine detail.) Fit roll bar over skimobile seat. Press "Rampage" rockets onto skis. (Rockets are removable.)

Carefully peel labels from the label sheet and apply to your skimobile as shown.

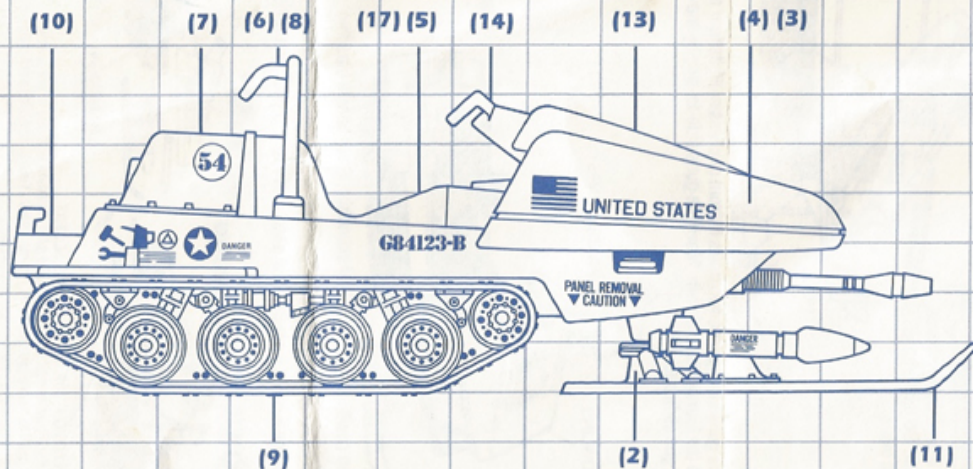
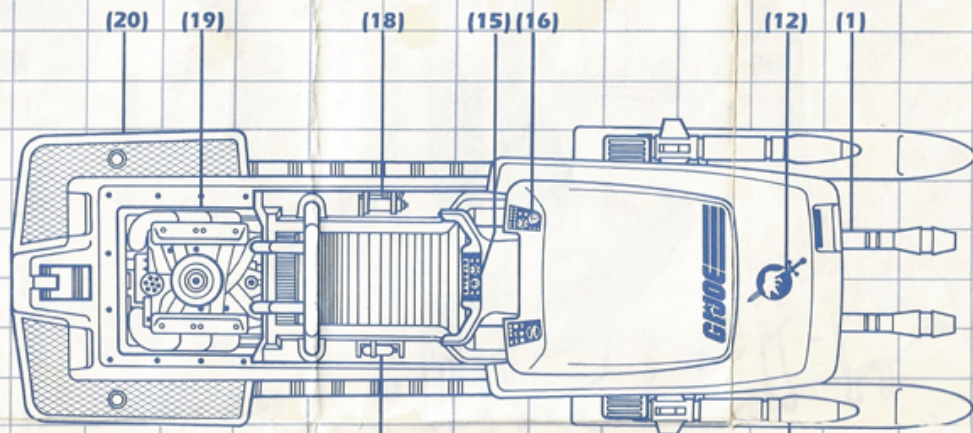


### HOW TO PLACE G.I. JOE IN THE SKIMOBILE SEAT

Every G.I. Joe figure can sit in the skimobile seat. Position G.I. Joe in the seat and place his hands on the handle bars. Use the foot pegs on the rear deck to help pose two more figures. Note: Your skimobile is not made to be disassembled. However, the engine cover, roll bar, and two "Rampage" rockets are removable.



# POLAR BATTLE BEAR (SKIMOBILE)



- 1) SYNCHRONIZED TWIN 55MM CANNONS
- 2) TORSION BAR FRONT SUSPENSION
- 3) HEAT SEEKING MISSILES
- 4) FIBERGLASS UPPER SHROUD
- 5) BODY-CONTOURED LOUNGE STYLE SEAT
- 6) REAR DECK HANDGRIPS
- 7) ENGINE COVER/TAILLIGHT HOUSING
- 8) ROLL BAR
- 9) INDEPENDENTLY SUSPENDED FLOATING BOGEY SYSTEM
- 10) TOWHOOK
- 11) HIGH SPEED POLYCARBONATE SKIIS
- 12) POLAR BATTLE BEAR INSIGNIA
- 13) BULLETPROOF ACRYLIC WINDSHIELD
- 14) STEERING/THROTTLE CONTROLS
- 15) ANALOG INSTRUMENT CLUSTER
- 16) PRIMARY FIRING CONTROLS
- 17) FIRE EXTINGUISHING SYSTEM
- 18) EMERGENCY CUT-OUT SWITCH
- 19) 160 H.P. REAR MOUNTED V-6 ENGINE
- 20) REAR BATTLE DECK (CAPACITY: 2)
- 21) QUARTZ HALOGEN HEADLAMP
- 22) FRONT STABILIZER BAR